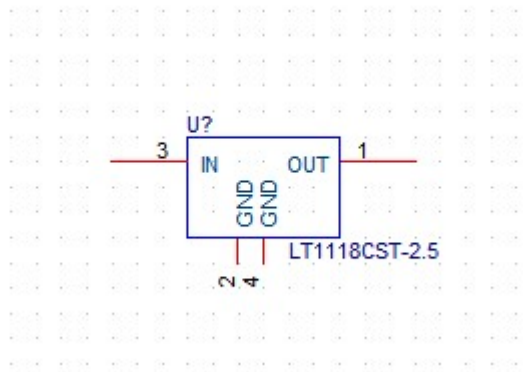


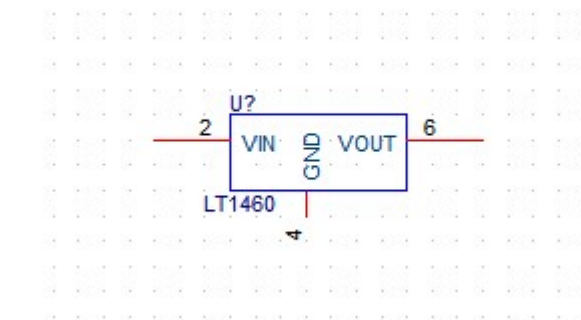
Linear Technology Orcad Library

The following parts are included in this library:

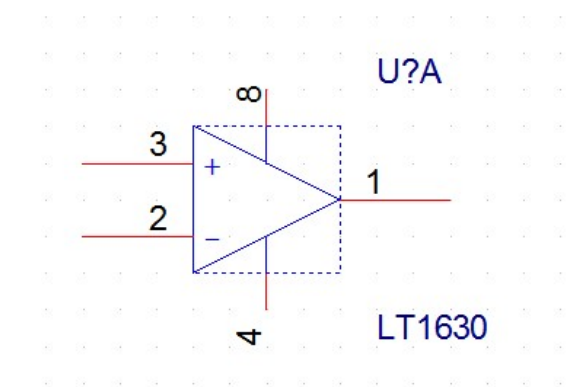
1. LT1118CST LDO

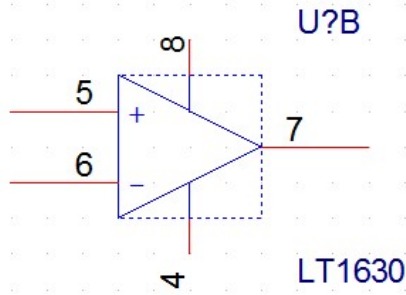


2. LT1460 LDO

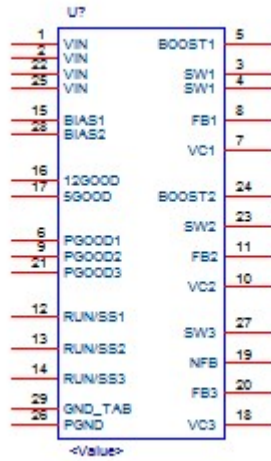


3. LT1630 OP-AMP

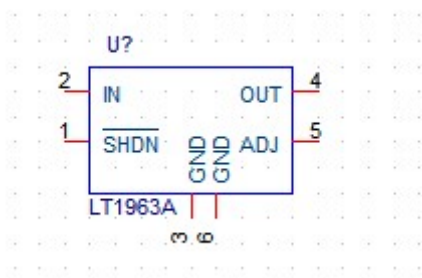




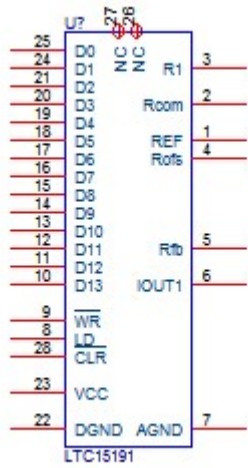
4. LT1941 –Triple Output switcher



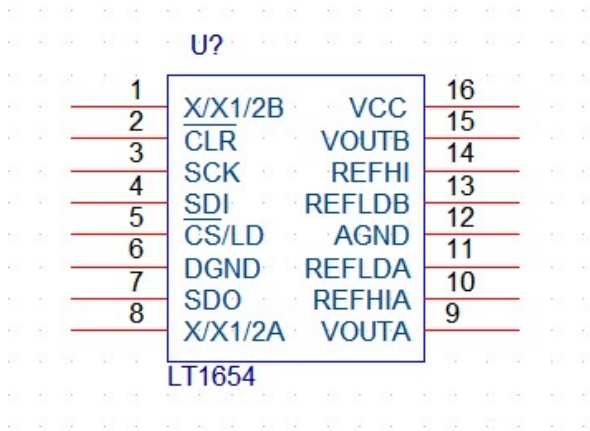
5. LT1963



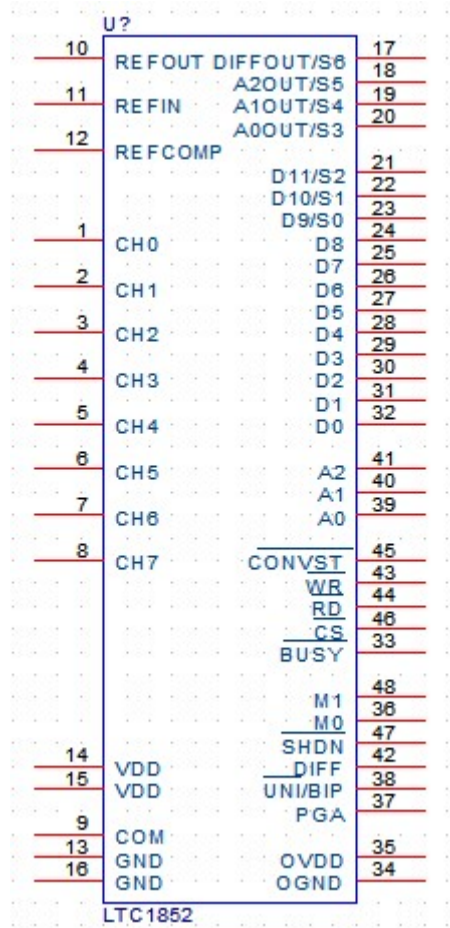
6. LT1591 Bipolar Output Parallel Load DAC



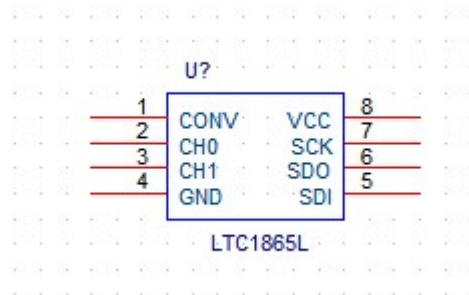
7. LT1654 Dual DAC



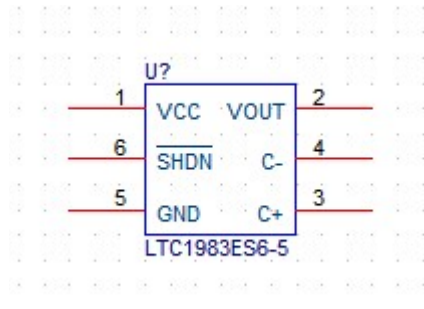
8. LT1852 8 Channel ADC



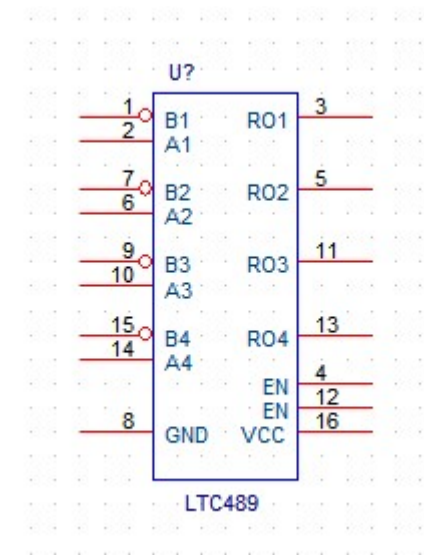
9. LT 1865L Dual Channel SPI ADC



10. LT1983



11. LT489 –RS485 Interface



16. Revision History

	Revision	Date	By	Comments
1	1.00	Nov 27, 2007	LD	Initial Release