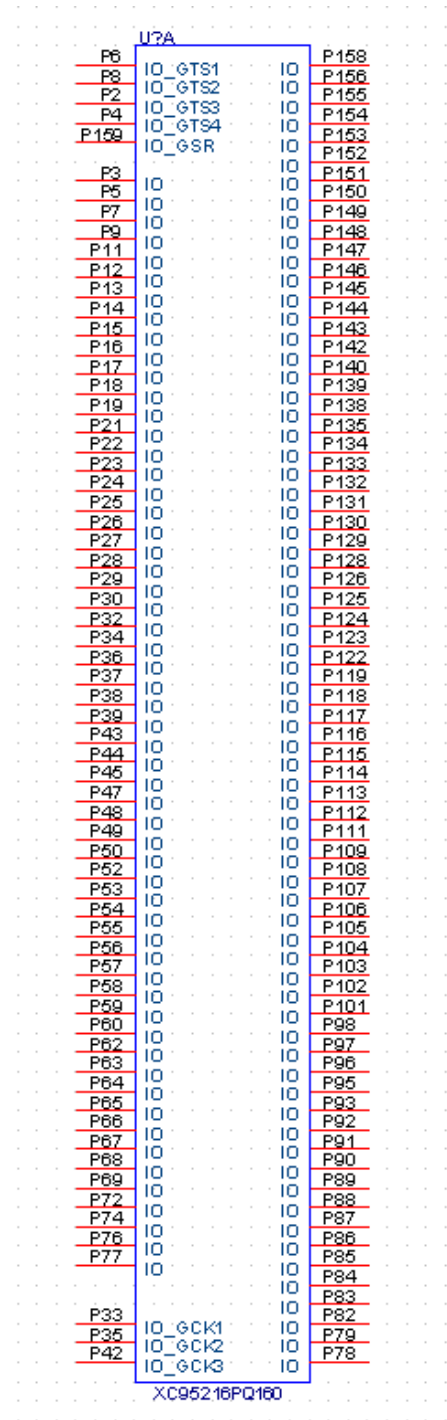


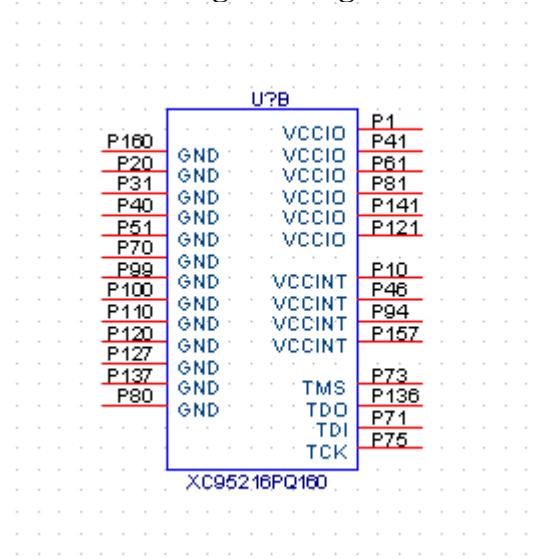
## Schematic Symbol for XC95216PQ160

The Schematic symbol consists of 2 heterogeneous parts that are listed below:

### 1. I/O



## 2. Power/ Programming



## 3. Revision History

Revision	Date	By	Comments	
1	1.01	June 11, 2007	MD	Initial Release