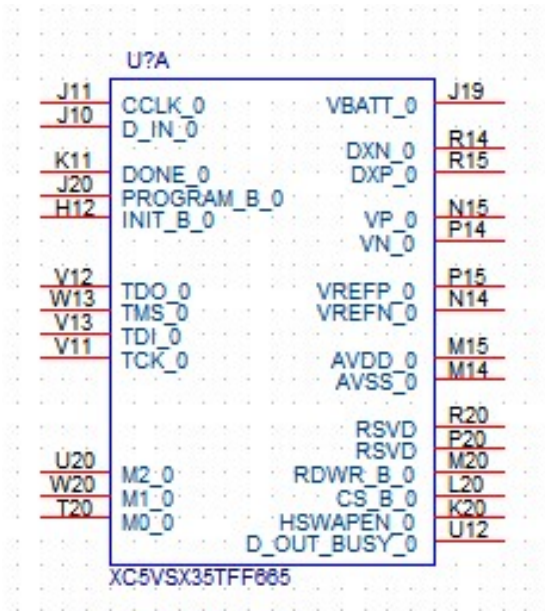


Schematic Symbol for XC5VSX35TFFG665

The Schematic symbol consists of 15 heterogeneous parts that are listed below:
 The symbol is identical with the XC5VSX35TFFG665 symbol.

1. Programming Interface



2. I/O Banks 1 and 2

U?B			
G15	IO_L0P_A19_1	IO_L9N_D0_FS0_2	AA15
G16	IO_L0N_A18_1	IO_L9P_D1_FS1_2	Y15
H13	IO_L1P_A17_1	IO_L8N_D2_FS2_2	W14
G14	IO_L1N_A16_1	IO_L8P_D3_2	Y13
G17	IO_L2P_A15_D31_1	IO_L7N_D4_2	W18
F17	IO_L2N_A14_D30_1	IO_L7P_D5_2	Y18
F15	IO_L3P_A13_D29_1	IO_L6N_D6_2	AA14
F14	IO_L3N_A12_D28_1	IO_L6P_D7_2	AA13
F18	IO_L4P_A11_D27_1	IO_L5N_CS0_B_2	Y17
G19	IO_L4N_VREF_A10_D26_1	IO_L5P_FWE_B_2	AA17
F13	IO_L5P_A9_D25_1	IO_L4P_FCS_B_2	AA12
G12	IO_L5N_A8_D24_1	IO_L3N_A20_2	Y12
H18	IO_L6P_A7_D23_1	IO_L3P_A21_2	Y18
H19	IO_L6N_A6_D22_1	IO_L2N_A22_2	AA18
G11	IO_L7P_A5_D21_1	IO_L2P_A23_2	Y11
H11	IO_L7N_A4_D20_1	IO_L1N_CC_A24_2	AA10
G20	IO_L8P_CC_A3_D19_1	IO_L1P_CC_A25_2	AA19
H21	IO_L8N_CC_A2_D18_1	IO_L0N_CC_RS0_2	Y20
G10	IO_L9P_CC_A1_D17_1	IO_L0P_CC_RS1_2	Y10
H9	IO_L9N_CC_A0_D16_1		W11

XC5VSX35TFF665

3. I/O Banks 3 and 4

U?C			
D15	IO_L0P_CC_GC_3	IO_L9N_CC_GC_4	AC16
E15	IO_L0N_CC_GC_3	IO_L9P_CC_GC_4	AB15
D16	IO_L1P_CC_GC_3	IO_L8N_CC_GC_4	AB16
E16	IO_L1N_CC_GC_3	IO_L8P_CC_GC_4	AC17
D14	IO_L2P_GC_VRN_3	IO_L7N_GC_VRP_4	AC14
D13	IO_L2N_GC_VRP_3	IO_L7P_GC_VRN_4	AB14
E17	IO_L3P_GC_3	IO_L6N_GC_4	AB17
D18	IO_L3N_GC_3	IO_L6P_GC_4	AC18
E13	IO_L4P_GC_3	IO_L5N_GC_4	AC13
E12	IO_L4N_GC_VREF_3	IO_L5P_GC_4	AC12
E18	IO_L5P_GC_3	IO_L4N_GC_VREF_4	AC19
F19	IO_L5N_GC_3	IO_L4P_GC_4	AB19
F12	IO_L6P_GC_3	IO_L3N_GC_D8_4	AB12
E11	IO_L6N_GC_3	IO_L3P_GC_D9_4	AC11
E20	IO_L7P_GC_3	IO_L2N_GC_D10_4	AB20
E21	IO_L7N_GC_3	IO_L2P_GC_D11_4	AB21
E10	IO_L8P_GC_3	IO_L1N_GC_D12_4	AB11
F10	IO_L8N_GC_3	IO_L1P_GC_D13_4	AB10
F20	IO_L9P_GC_3	IO_L0N_GC_D14_4	AA20
G21	IO_L9N_GC_3	IO_L0P_GC_D15_4	Y21

XC5VSX35TFF665

4. I/O Bank 11

U?D			
E26	IO_L0P_11	IO_L19N_SM9N_11	M22
E25	IO_L0N_11	IO_L19P_SM9P_11	N22
F25	IO_L1P_11	IO_L18N_SM10N_11	N23
G28	IO_L1N_11	IO_L18P_SM10P_11	N24
H26	IO_L2P_11	IO_L17N_SM11N_11	M24
G25	IO_L2N_11	IO_L17P_SM11P_11	M25
F24	IO_L3P_11	IO_L16N_SM12N_11	M26
G24	IO_L3N_11	IO_L16P_SM12P_11	N26
F23	IO_L4P_11	IO_L15N_SM13N_11	K25
E22	IO_L4N_VREF_11	IO_L15P_SM13P_11	L24
F23	IO_L5P_11	IO_L14N_VREF_11	L25
F22	IO_L5N_11	IO_L14P_11	K26
G22	IO_L6P_11	IO_L13N_11	J26
H22	IO_L6N_11	IO_L13P_11	J25
H23	IO_L7P_11	IO_L12N_VRP_11	J24
J23	IO_L7N_11	IO_L12P_VRN_11	H24
J21	IO_L8P_CC_11	IO_L11N_CC_SM14N_11	N21
K21	IO_L8N_CC_11	IO_L11P_CC_SM14P_11	M21
K22	IO_L9P_CC_11	IO_L10N_CC_SM15N_11	L22
K23	IO_L9N_CC_11	IO_L10P_CC_SM15P_11	L23

XC5VSX35TFF665

5. I/O Bank 12

U?E			
Y8	IO_L0P_12	IO_L19N_12	R7
Y5	IO_L0N_12	IO_L19P_12	R8
G6	IO_L1P_12	IO_L18N_12	P8
H6	IO_L1N_12	IO_L18P_12	N8
Y4	IO_L2P_12	IO_L17N_12	N7
W4	IO_L2N_12	IO_L17P_12	M6
G5	IO_L3P_12	IO_L16N_12	N6
F5	IO_L3N_12	IO_L16P_12	P6
W5	IO_L4P_12	IO_L15N_12	T7
W6	IO_L4N_VREF_12	IO_L15P_12	R6
G4	IO_L5P_12	IO_L14N_VREF_12	L8
H4	IO_L5N_12	IO_L14P_12	M7
V6	IO_L6P_12	IO_L13N_12	R5
V7	IO_L6N_12	IO_L13P_12	T5
J5	IO_L7P_12	IO_L12N_VRP_12	L7
J6	IO_L7N_12	IO_L12P_VRN_12	K8
U7	IO_L8P_CC_12	IO_L11N_CC_12	U5
T8	IO_L8N_CC_12	IO_L11P_CC_12	U6
K5	IO_L9P_CC_12	IO_L10N_CC_12	K7
L5	IO_L9N_CC_12	IO_L10P_CC_12	K6

XC5VSX35TFF665

6. I/O Bank 13

U?F			
P28	IO_L0P_SM8P_13	IO_L19N_13	W21
R26	IO_L0N_SM8N_13	IO_L19P_13	V21
P25	IO_L1P_SM7P_13	IO_L18N_13	V22
R25	IO_L1N_SM7N_13	IO_L18P_13	U21
P24	IO_L2P_SM6P_13	IO_L17N_13	U22
P23	IO_L2N_SM6N_13	IO_L17P_13	T22
R23	IO_L3P_SM5P_13	IO_L16N_13	R21
R22	IO_L3N_SM5N_13	IO_L16P_13	P21
U26	IO_L4P_13	IO_L15N_13	AA23
V26	IO_L4N_VREF_13	IO_L15P_13	AB24
U25	IO_L5P_SM4P_13	IO_L14N_VREF_13	AA24
T25	IO_L5N_SM4N_13	IO_L14P_13	AB25
T24	IO_L6P_SM3P_13	IO_L13N_13	AB26
T23	IO_L6N_SM3N_13	IO_L13P_13	AA25
U24	IO_L7P_SM2P_13	IO_L12N_VRP_13	Y25
V24	IO_L7N_SM2N_13	IO_L12P_VRN_13	Y26
W26	IO_L8P_CC_SM1P_13	IO_L11N_CC_13	W23
W25	IO_L8N_CC_SM1N_13	IO_L11P_CC_13	Y23
W24	IO_L9P_CC_SM0P_13	IO_L10N_CC_13	Y22
V23	IO_L9N_CC_SM0N_13	IO_L10P_CC_13	AA22

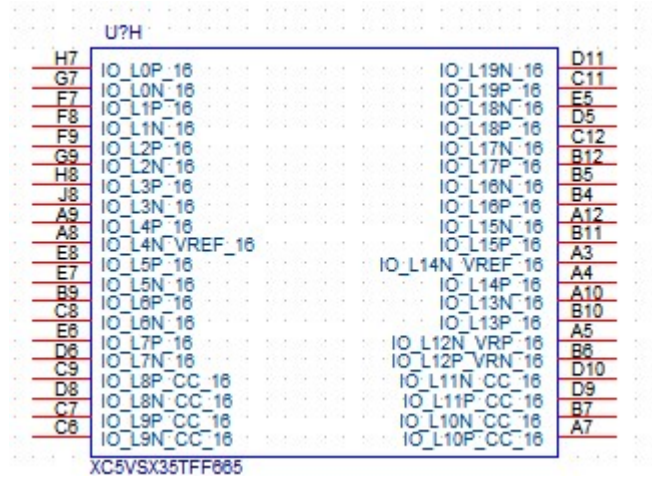
XC5VSX35TFF665

7. I/O Bank 15

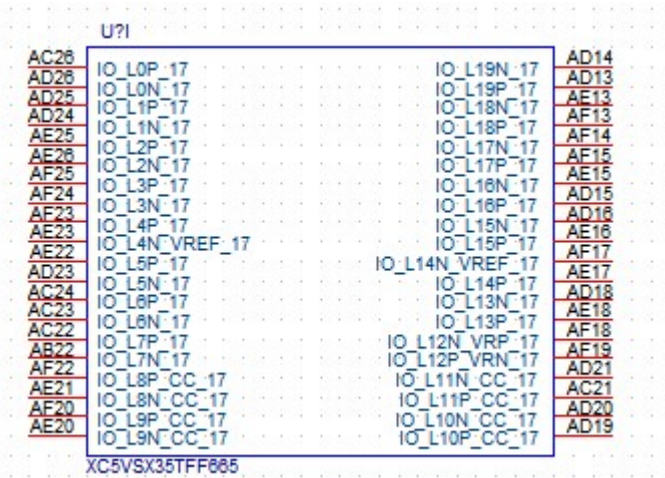
U?G			
C13	IO_L0P_15	IO_L19N_15	D25
C14	IO_L0N_15	IO_L19P_15	D26
B14	IO_L1P_15	IO_L18N_15	C26
A13	IO_L1N_15	IO_L18P_15	B26
A14	IO_L2P_15	IO_L17N_15	A25
A15	IO_L2N_15	IO_L17P_15	B25
B15	IO_L3P_15	IO_L16N_15	C24
C16	IO_L3N_15	IO_L16P_15	D24
B16	IO_L4P_15	IO_L15N_15	C23
C17	IO_L4N_VREF_15	IO_L15P_15	B24
B17	IO_L5P_15	IO_L14N_VREF_15	A24
A17	IO_L5N_15	IO_L14P_15	A23
A18	IO_L6P_15	IO_L13N_15	A22
A19	IO_L6N_15	IO_L13P_15	B22
B19	IO_L7P_15	IO_L12N_VRP_15	C22
C18	IO_L7N_15	IO_L12P_VRN_15	D23
A20	IO_L8P_CC_15	IO_L11N_CC_15	C21
B20	IO_L8N_CC_15	IO_L11P_CC_15	B21
C19	IO_L9P_CC_15	IO_L10N_CC_15	D20
D19	IO_L9N_CC_15	IO_L10P_CC_15	D21

XC5VSX35TFF665

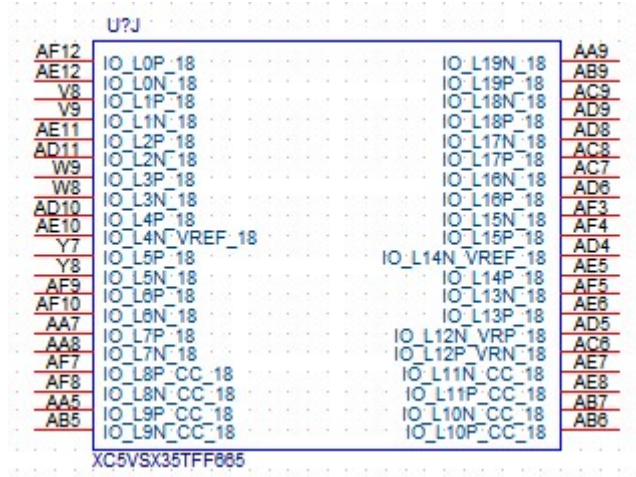
8. I/O Bank 16



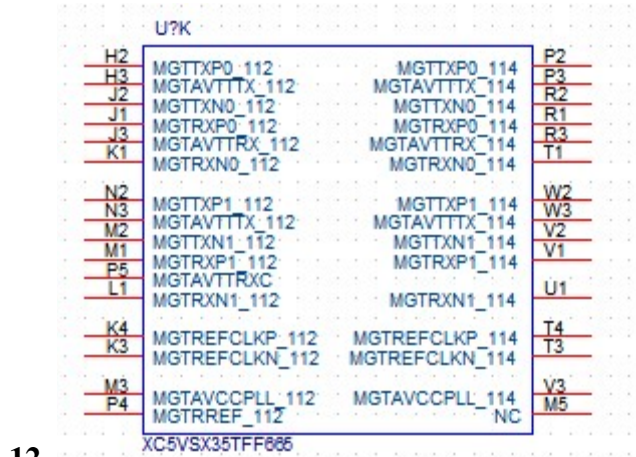
9. I/O Bank 17



10. I/O Bank 18



11. MGT (112 and 114)



12.

MGT (116 and 118)

U?L			
B2	MGTXP0_116	MGTXP0_118	Y2
B3	MGTAVTTX_116	MGTAVTTX_118	Y3
C2	MGTXN0_116	MGTXN0_118	AA2
C1	MGTRXP0_116	MGTRXP0_118	AA1
C3	MGTAVTTRX_116	MGTAVTTRX_118	AA3
D1	MGTRXN0_116	MGTRXN0_118	AB1
G2	MGTXP1_116	MGTXP1_118	AE2
G3	MGTAVTTX_116	MGTAVTTX_118	AE3
F2	MGTXN1_116	MGTXN1_118	AD2
F1	MGTRXP1_116	MGTRXP1_118	AD1
E1	MGTRXN1_116	MGTRXN1_118	AC1
D4	MGTREFCLKP_116	MGTREFCLKP_118	AB4
D3	MGTREFCLKN_116	MGTREFCLKN_118	AB3
F3	MGTAVCCPLL_116	MGTAVCCPLL_118	AD3

XC5VSX35TFF665

13. POWER (GND)

U7M			
A2	GND	GND	AF26
B2	GND	GND	AA26
C2	GND	GND	T26
K2	GND	GND	L26
L2	GND	GND	F26
T2	GND	GND	A26
U2	GND	GND	AC26
AA22	GND	GND	R22
AC22	GND	GND	C22
AF22	GND	GND	Y24
CA	GND	GND	KA24
FA	GND	GND	U22
JA	GND	GND	G22
MA	GND	GND	AC22
RA	GND	GND	P22
YA	GND	GND	D22
AA4	GND	GND	AF21
AA4	GND	GND	AA21
CA	GND	GND	T21
KA	GND	GND	L21
TA	GND	GND	A21
UA21	GND	GND	T20
UA	GND	GND	R20
FA	GND	GND	C20
TA	GND	GND	AC12
AF2	GND	GND	W12
JA	GND	GND	U12
YA1	GND	GND	R12
KA	GND	GND	N12
MA	GND	GND	L12
AA22	GND	GND	E12
CA	GND	GND	AC12
LA	GND	GND	Y12
KA	GND	GND	T12
RA	GND	GND	P12
UA	GND	GND	M12
YA	GND	GND	K12
AA22	GND	GND	G12
HA12	GND	GND	W11
K12	GND	GND	U11
M12	GND	GND	R11
P12	GND	GND	N11
T12	GND	GND	L11
Y12	GND	GND	J11
A11	GND	GND	AC12
L11	GND	GND	Y12
R11	GND	GND	T12
R11	GND	GND	P12
U11	GND	GND	M12
AA11	GND	GND	K12
AF11	GND	GND	R12
D12	GND	GND	F12
K12	GND	GND	A12
M12	GND	GND	AC12
P12	GND	GND	W12
T12	GND	GND	U12
W12	GND	GND	L12
AC12	GND	GND	J12
G12	GND	GND	C12
J12	GND	GND	Y12
L12	GND	GND	Y14
R12	GND	GND	T14
R12	GND	GND	K14
U12	GND	GND	R14

XC5V5K25TFF665

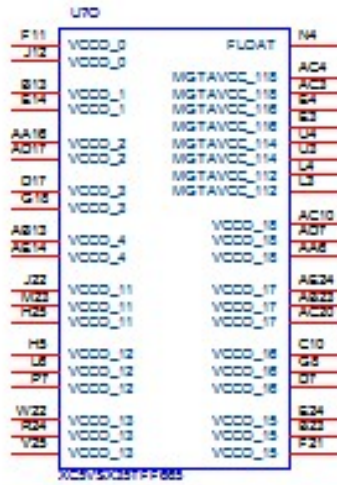
14. POWER (VCCINT AND VCCAUX)

U7N

U8	VCCAUX	VCCINT	K18
P8	VCCAUX	VCCINT	W18
U9	VCCAUX	VCCINT	U18
P9	VCCAUX	VCCINT	R18
T9	VCCAUX	VCCINT	N18
W10	VCCAUX	VCCINT	L18
M10	VCCAUX	VCCINT	J18
P10	VCCAUX	VCCINT	V11
T10	VCCAUX	VCCINT	F11
Y10	VCCAUX	VCCINT	P11
Y10	VCCAUX	VCCINT	M11
K20	VCCAUX	VCCINT	K11
	VCCAUX	VCCINT	H11
L10	VCCINT	VCCINT	L18
N10	VCCINT	VCCINT	R18
R10	VCCINT	VCCINT	N18
U10	VCCINT	VCCINT	L18
M11	VCCINT	VCCINT	J18
P11	VCCINT	VCCINT	Y18
T11	VCCINT	VCCINT	T18
L12	VCCINT	VCCINT	K18
N12	VCCINT	VCCINT	H18
R12	VCCINT	VCCINT	L14
R12	VCCINT	VCCINT	L14
K12	VCCINT	VCCINT	L14
M12	VCCINT	VCCINT	J14
P12	VCCINT	VCCINT	T12

XCC5VCCINTP666

15. VCC for IO Banks and MGTs



16. Revision History

Revision	Date	By	Comments
1	Nov 12, 2007	LD	Initial Release