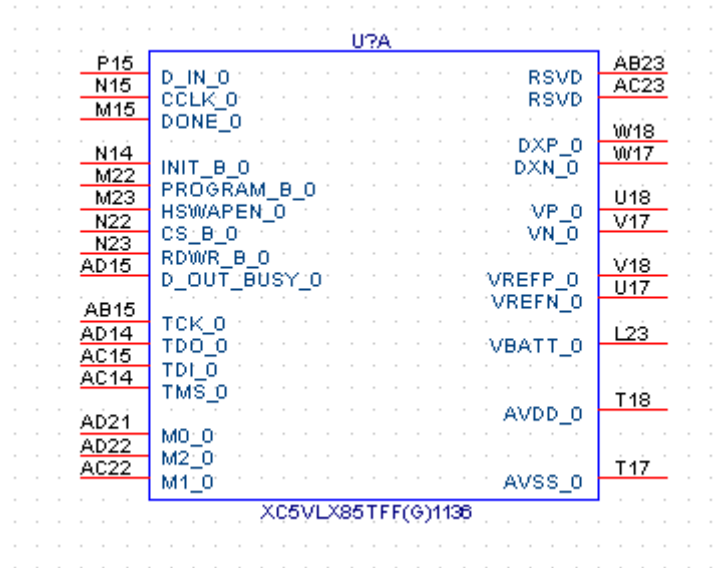


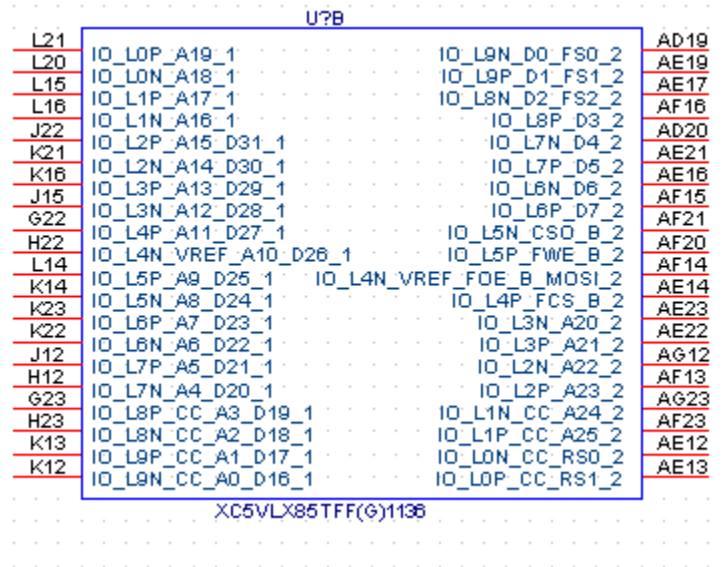
Schematic Symbol for XC5VLX85TFF (G) 1136

The Schematic symbol consists of 22 heterogeneous parts that are listed below:

1. Programming Interface



2. I/O Banks 1 and 2



3. I/O Banks 3 and 4

U?C			
H17	IO_L0P_CC_GC_3	IO_L9N_CC_GC_4	AG17
H18	IO_L0N_CC_GC_3	IO_L9P_CC_GC_4	AH18
K17	IO_L1P_CC_GC_3	IO_L8N_CC_GC_4	AE18
L18	IO_L1N_CC_GC_3	IO_L8P_CC_GC_4	AF18
G15	IO_L2P_GC_VRN_3	IO_L7N_GC_VRP_4	AG16
G16	IO_L2N_GC_VRP_3	IO_L7P_GC_VRN_4	AH17
K18	IO_L3P_GC_3	IO_L6N_GC_4	AF19
J19	IO_L3N_GC_3	IO_L6P_GC_4	AG18
J16	IO_L4P_GC_3	IO_L5N_GC_4	AG15
J17	IO_L4N_GC_VREF_3	IO_L5P_GC_4	AH15
L19	IO_L5P_GC_3	IO_L4N_GC_VREF_4	AG20
K19	IO_L5N_GC_3	IO_L4P_GC_4	AG21
H14	IO_L6P_GC_3	IO_L3N_GC_D8_4	AH13
H15	IO_L6N_GC_3	IO_L3P_GC_D9_4	AH14
J20	IO_L7P_GC_3	IO_L2N_GC_D10_4	AH19
J21	IO_L7N_GC_3	IO_L2P_GC_D11_4	AH20
J14	IO_L8P_GC_3	IO_L1N_GC_D12_4	AG13
H13	IO_L8N_GC_3	IO_L1P_GC_D13_4	AH12
H19	IO_L9P_GC_3	IO_L0N_GC_D14_4	AH22
H20	IO_L9N_GC_3	IO_L0P_GC_D15_4	AG22

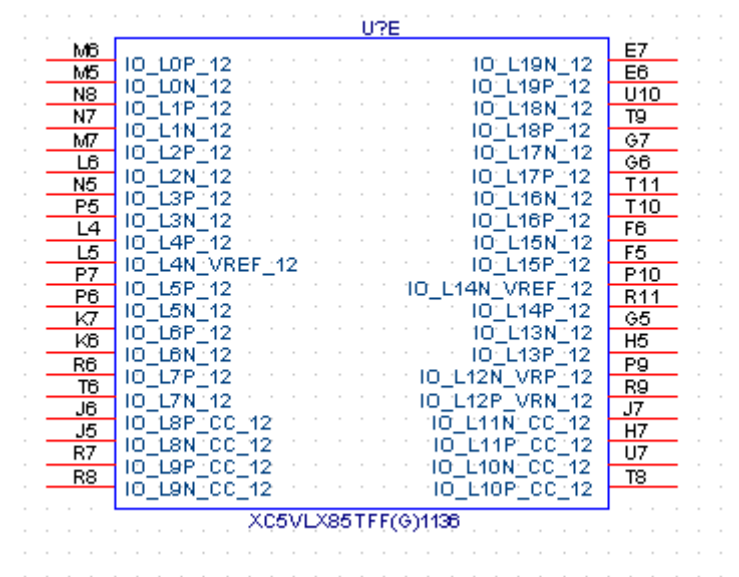
XC5VLX85TFF(G)1136

4. I/O Bank 11

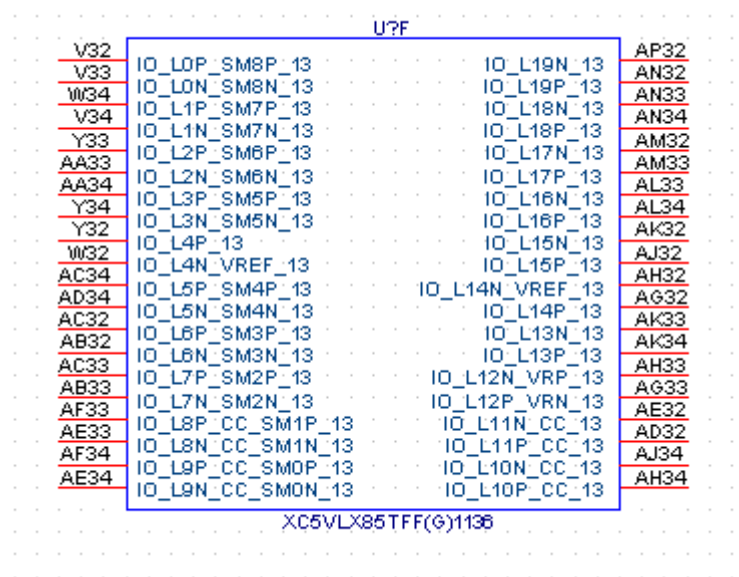
U?D			
B32	IO_L0P_11	IO_L19N_SM9N_11	U31
A33	IO_L0N_11	IO_L19P_SM9P_11	U32
B33	IO_L1P_11	IO_L18N_SM10N_11	T34
C33	IO_L1N_11	IO_L18P_SM10P_11	U33
C32	IO_L2P_11	IO_L17N_SM11N_11	R32
D32	IO_L2N_11	IO_L17P_SM11P_11	R33
C34	IO_L3P_11	IO_L16N_SM12N_11	R34
D34	IO_L3N_11	IO_L16P_SM12P_11	T33
G32	IO_L4P_11	IO_L15N_SM13N_11	N32
H32	IO_L4N_VREF_11	IO_L15P_SM13P_11	P32
F33	IO_L5P_11	IO_L14N_VREF_11	N34
E34	IO_L5N_11	IO_L14P_11	P34
E32	IO_L6P_11	IO_L13N_11	M32
E33	IO_L6N_11	IO_L13P_11	L33
G33	IO_L7P_11	IO_L12N_VRP_11	M33
F34	IO_L7N_11	IO_L12P_VRN_11	N33
J32	IO_L8P_CC_11	IO_L11N_CC_SM14N_11	K32
H33	IO_L8N_CC_11	IO_L11P_CC_SM14P_11	K33
H34	IO_L9P_CC_11	IO_L10N_CC_SM15N_11	K34
J34	IO_L9N_CC_11	IO_L10P_CC_SM15P_11	L34

XC5VLX85TFF(G)1136

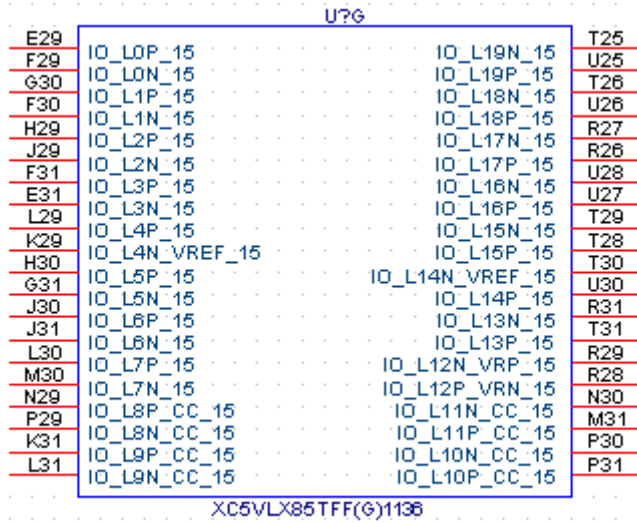
5. I/O Bank 12



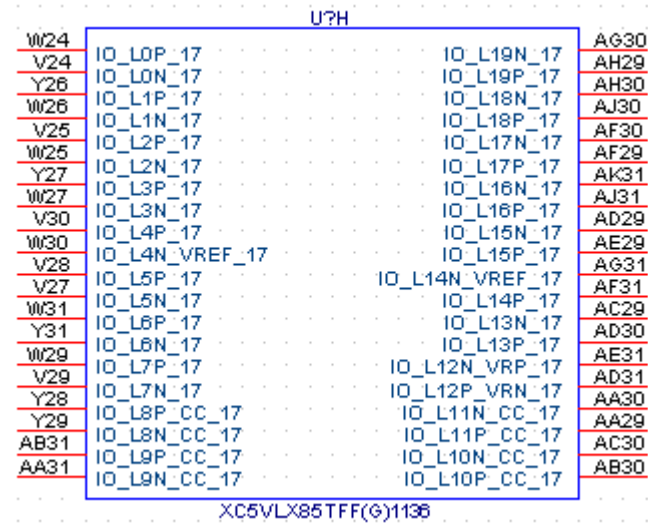
6. I/O Bank 13



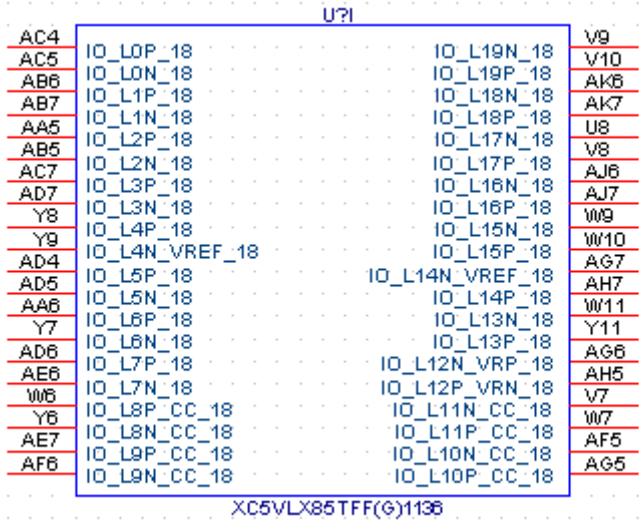
7. I/O Bank 15



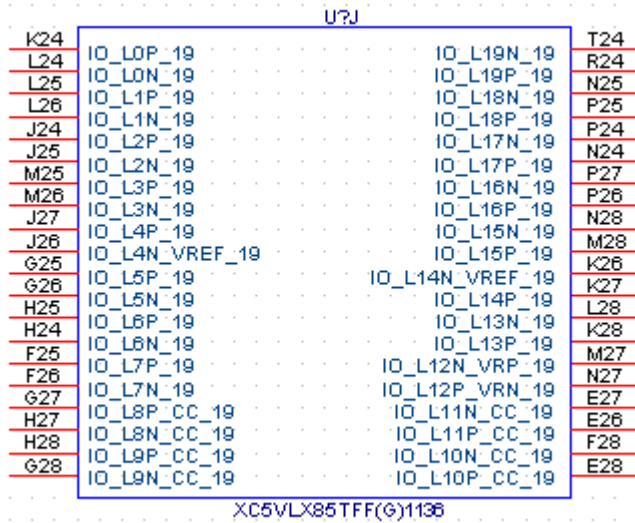
8. I/O Bank 17



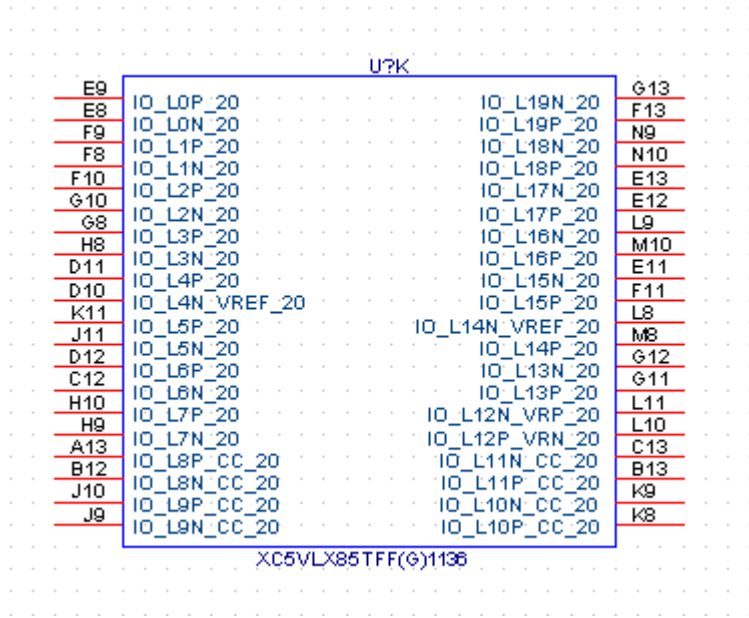
9. I/O Bank 18



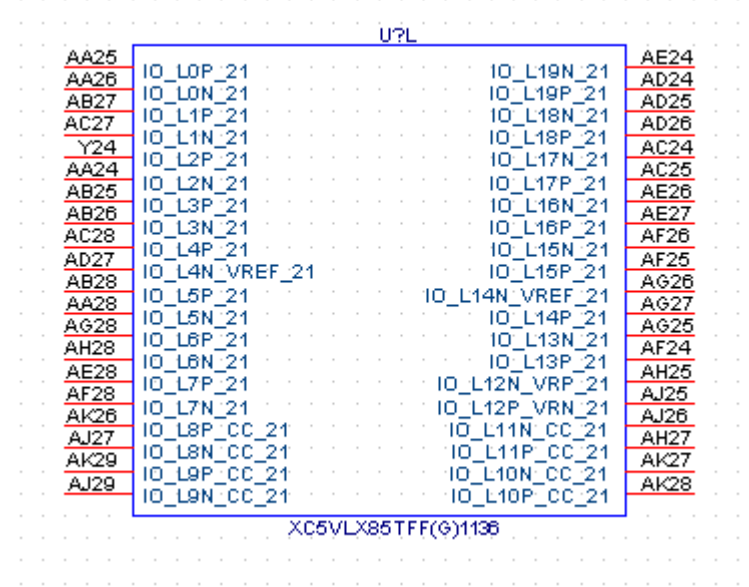
10. I/O Bank 19



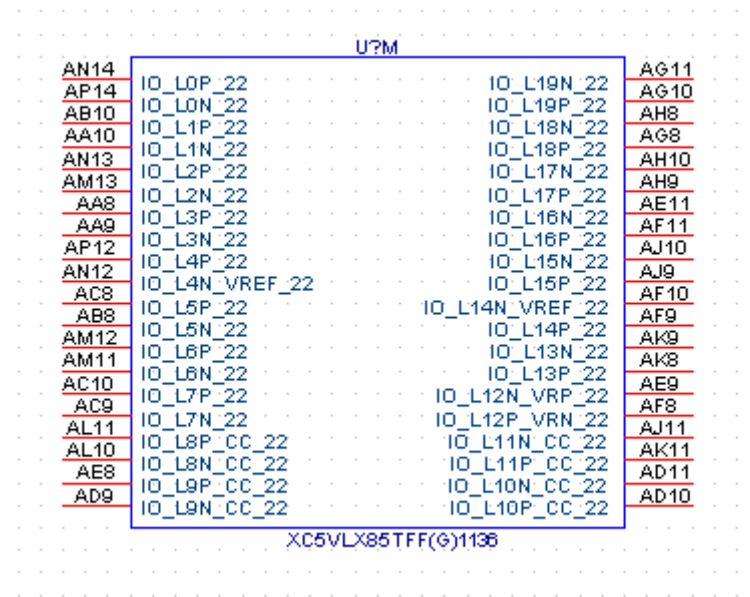
11. I/O Bank 20



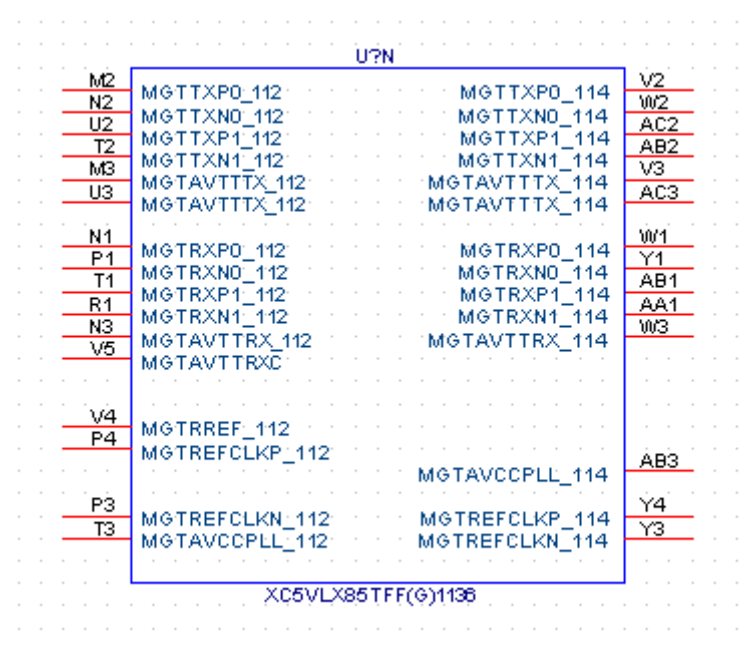
12. I/O Bank 21



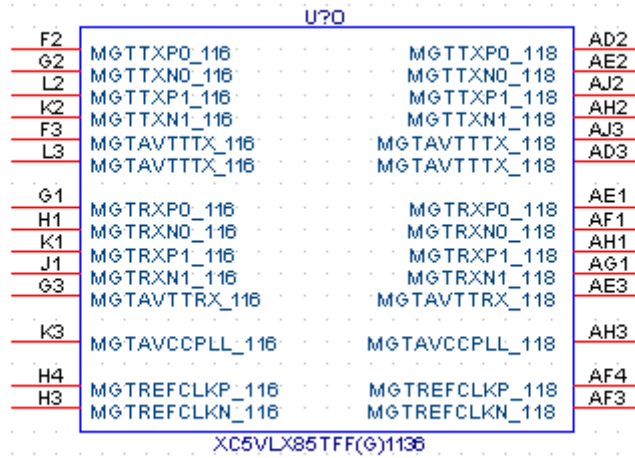
13. I/O Bank 22



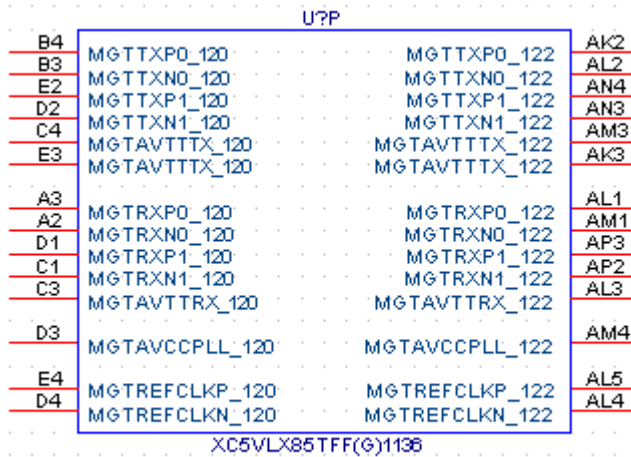
14. MGT 112 and 114



15. MGT 116 and 118



16. MGT 120 and 122

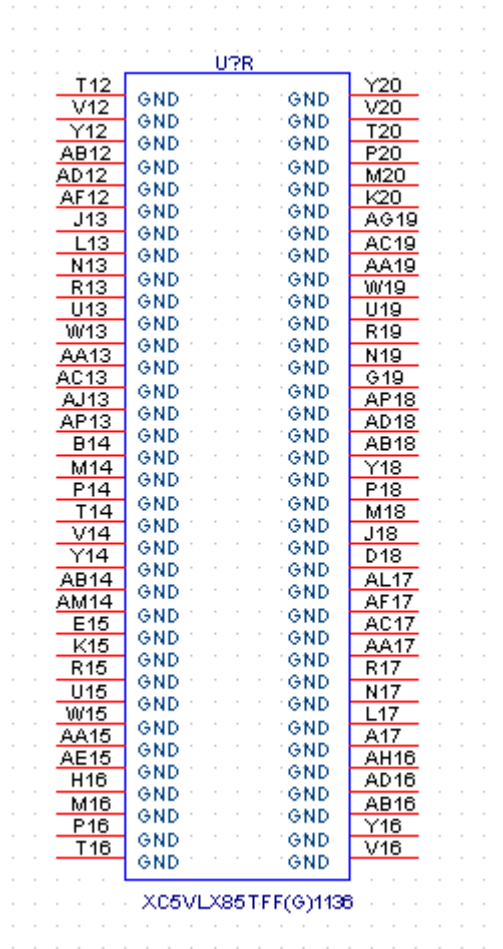


17. GND 1

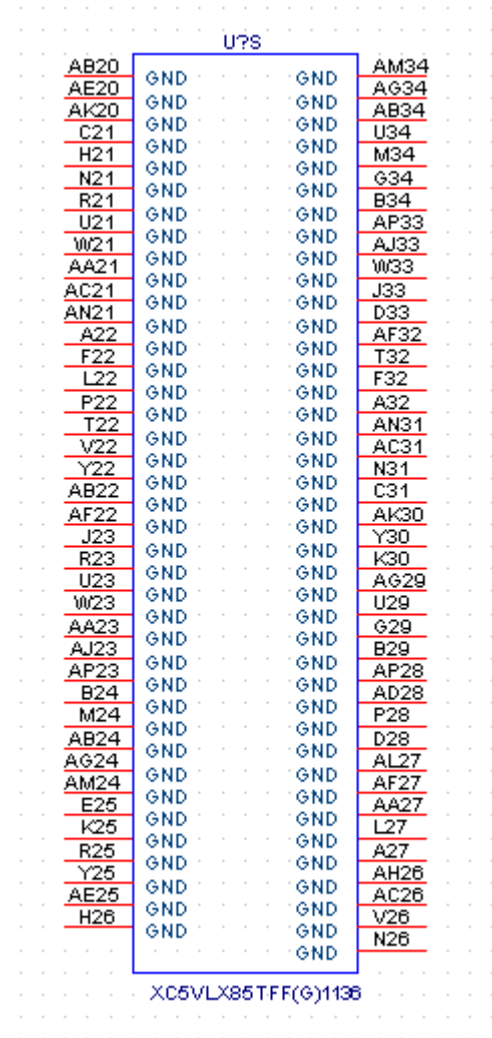
U?Q	
B1	GND
AN1	GND
B2	GND
C2	GND
H2	GND
J2	GND
P2	GND
R2	GND
Y2	GND
AA2	GND
AF2	GND
AG2	GND
AM2	GND
AN2	GND
G4	GND
K4	GND
M4	GND
N4	GND
T4	GND
W4	GND
AB4	GND
AE4	GND
AH4	GND
AK4	GND
E5	GND
K5	GND
R5	GND
T5	GND
W5	GND
Y5	GND
AE5	GND
AJ5	GND
D6	GND
H6	GND
U6	GND
P12	GND
M12	GND
F12	GND
A12	GND
AP11	GND
AN11	GND
AC11	GND
AA11	GND
U11	GND
N11	GND
C11	GND
B11	GND
A11	GND
AK10	GND
AE10	GND
Y10	GND
R10	GND
K10	GND
AL9	GND
AG9	GND
U9	GND
G9	GND
D9	GND
AN8	GND
AD8	GND
P8	GND
B8	GND
AN7	GND
AA7	GND
L7	GND
F7	GND
B7	GND
AL6	GND
AH6	GND
V6	GND

XC5VLX85TFF(G)1136

18. GND 2



19. GND 3



20. Power 1

U?T			
M11	VCCAUX	VCCINT	W22
P11	VCCAUX	VCCINT	U22
V11	VCCAUX	VCCINT	R22
AB11	VCCAUX	VCCINT	AB21
L12	VCCAUX	VCCINT	Y21
AC12	VCCAUX	VCCINT	V21
M21	VCCAUX	VCCINT	T21
P23	VCCAUX	VCCINT	P21
T23	VCCAUX	VCCINT	AC20
V23	VCCAUX	VCCINT	AA20
Y23	VCCAUX	VCCINT	W20
U24	VCCAUX	VCCINT	U20
N12	VCCINT	VCCINT	R20
		VCCINT	N20
		VCCINT	AB19
R12		VCCINT	Y19
U12	VCCINT	VCCINT	V19
W12	VCCINT	VCCINT	T19
AA12	VCCINT	VCCINT	P19
M13	VCCINT	VCCINT	M19
P13	VCCINT	VCCINT	AC18
T13	VCCINT	VCCINT	AA18
V13	VCCINT	VCCINT	R18
Y13	VCCINT	VCCINT	N18
AB13	VCCINT	VCCINT	AD17
AD13	VCCINT	VCCINT	AB17
R14	VCCINT	VCCINT	Y17
U14	VCCINT	VCCINT	P17
W14	VCCINT	VCCINT	M17
AA14	VCCINT	VCCINT	AC16
T15	VCCINT	VCCINT	AA16
V15	VCCINT	VCCINT	W16
Y15	VCCINT	VCCINT	U16
N16	VCCINT	VCCINT	R16

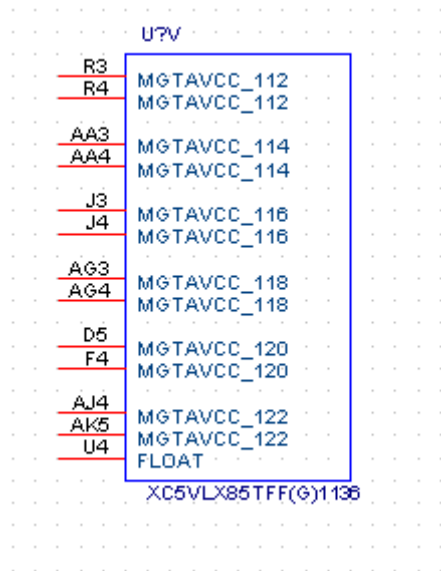
XC5VLX85TFF(G)1136

21. Power 2

U?U			
AA22	VCC0_0	VCC0_25	AN26
AD23	VCC0_0	VCC0_25	AK25
		VCC0_25	AL22
D13	VCC0_1		F27
G14	VCC0_1	VCC0_23	C26
AM19		VCC0_23	G24
AH21	VCC0_2	VCC0_23	
	VCC0_2		AH11
E20		VCC0_22	AJ8
D23	VCC0_3	VCC0_22	AF7
	VCC0_3	VCC0_22	
AL12	VCC0_4	VCC0_21	AL32
AG14	VCC0_4	VCC0_21	AM29
		VCC0_21	AJ28
C16	VCC0_5		H11
F17	VCC0_5	VCC0_20	E10
B19	VCC0_5	VCC0_20	J8
		VCC0_20	
AK15	VCC0_6		H31
AN16	VCC0_6	VCC0_19	E30
AJ18	VCC0_6	VCC0_19	J28
		VCC0_19	
T27	VCC0_11		AB9
R30	VCC0_11	VCC0_18	W8
V31	VCC0_11	VCC0_18	AC6
		VCC0_18	
N6	VCC0_12		AD33
T7	VCC0_12	VCC0_17	AH31
M9	VCC0_12	VCC0_17	AE30
		VCC0_17	
W28	VCC0_13		P33
AB29	VCC0_13	VCC0_15	L32
AA32	VCC0_13	VCC0_15	M29
		VCC0_15	

XC5VLX85TFF(G)1136

22. MGT Power



23. Revision History

	Revision	Date	By	Comments
1	1.01	Sept. 24, 2007	MD	Initial Release