

3. I/O Banks 3 and 4

U?C			
D15	IO_L0P_CC_GC_3	IO_L9N_CC_GC_4	AC16
E15	IO_L0N_CC_GC_3	IO_L9P_CC_GC_4	AB15
F16	IO_L1P_CC_GC_3	IO_L8N_CC_GC_4	AB16
E16	IO_L1N_CC_GC_3	IO_L8P_CC_GC_4	AC17
D14	IO_L2P_GC_VRN_3	IO_L7N_GC_VRN_4	AC14
D13	IO_L2N_GC_VRN_3	IO_L7P_GC_VRN_4	AB14
E17	IO_L3P_GC_3	IO_L6N_GC_4	AB17
D18	IO_L3N_GC_3	IO_L6P_GC_4	AC18
E13	IO_L4P_GC_3	IO_L5N_GC_4	AC13
E12	IO_L4N_GC_VREF_3	IO_L5P_GC_4	AC12
E18	IO_L5P_GC_3	IO_L4N_GC_VREF_4	AC19
F19	IO_L5N_GC_3	IO_L4P_GC_4	AB19
F12	IO_L6P_GC_3	IO_L3N_GC_D8_4	AB12
E11	IO_L6N_GC_3	IO_L3P_GC_D9_4	AC11
E20	IO_L7P_GC_3	IO_L2N_GC_D10_4	AB20
E21	IO_L7N_GC_3	IO_L2P_GC_D11_4	AB21
E10	IO_L8P_GC_3	IO_L1N_GC_D12_4	AB11
F10	IO_L8N_GC_3	IO_L1P_GC_D13_4	AB10
F20	IO_L9P_GC_3	IO_L0N_GC_D14_4	AA20
G21	IO_L9N_GC_3	IO_L0P_GC_D15_4	Y21

XC5VLX50TFF665

4. I/O Bank 11

U?D			
E26	IO_L0P_11	IO_L19N_SM9N_11	M22
E25	IO_L0N_11	IO_L19P_SM9P_11	N22
F25	IO_L1P_11	IO_L18N_SM10N_11	N23
G26	IO_L1N_11	IO_L18P_SM10P_11	N24
H26	IO_L2P_11	IO_L17N_SM11N_11	M24
G25	IO_L2N_11	IO_L17P_SM11P_11	M25
F24	IO_L3P_11	IO_L16N_SM12N_11	M26
G24	IO_L3N_11	IO_L16P_SM12P_11	N26
E23	IO_L4P_11	IO_L15N_SM13N_11	K25
E22	IO_L4N_VREF_11	IO_L15P_SM13P_11	L24
F23	IO_L5P_11	IO_L14N_VREF_11	L25
F22	IO_L5N_11	IO_L14P_11	K26
G22	IO_L6P_11	IO_L13N_11	J26
H22	IO_L6N_11	IO_L13P_11	J25
H23	IO_L7P_11	IO_L12N_VRN_11	J24
J23	IO_L7N_11	IO_L12P_VRN_11	H24
J21	IO_L8P_CC_11	IO_L11N_CC_SM14N_11	N21
K21	IO_L8N_CC_11	IO_L11P_CC_SM14P_11	M21
K22	IO_L9P_CC_11	IO_L10N_CC_SM15N_11	L22
K23	IO_L9N_CC_11	IO_L10P_CC_SM15P_11	L23

XC5VLX50TFF665

5. I/O Bank 12

U?E			
Y6	IO_L0P_12	IO_L19N_12	R7
Y5	IO_L0N_12	IO_L19P_12	R8
G6	IO_L1P_12	IO_L18N_12	P8
H6	IO_L1N_12	IO_L18P_12	N8
Y4	IO_L2P_12	IO_L17N_12	N7
W4	IO_L2N_12	IO_L17P_12	M6
G5	IO_L3P_12	IO_L16N_12	N6
F5	IO_L3N_12	IO_L16P_12	P6
W5	IO_L4P_12	IO_L15N_12	T7
W6	IO_L4N_VREF_12	IO_L15P_12	R6
G4	IO_L5P_12	IO_L14N_VREF_12	L8
H4	IO_L5N_12	IO_L14P_12	M7
V6	IO_L6P_12	IO_L13N_12	R5
V7	IO_L6N_12	IO_L13P_12	T5
J5	IO_L7P_12	IO_L12N_VRP_12	L7
J6	IO_L7N_12	IO_L12P_VRN_12	K8
U7	IO_L8P_CC_12	IO_L11N_CC_12	U5
T8	IO_L8N_CC_12	IO_L11P_CC_12	U6
K5	IO_L9P_CC_12	IO_L10N_CC_12	K7
L5	IO_L9N_CC_12	IO_L10P_CC_12	K6

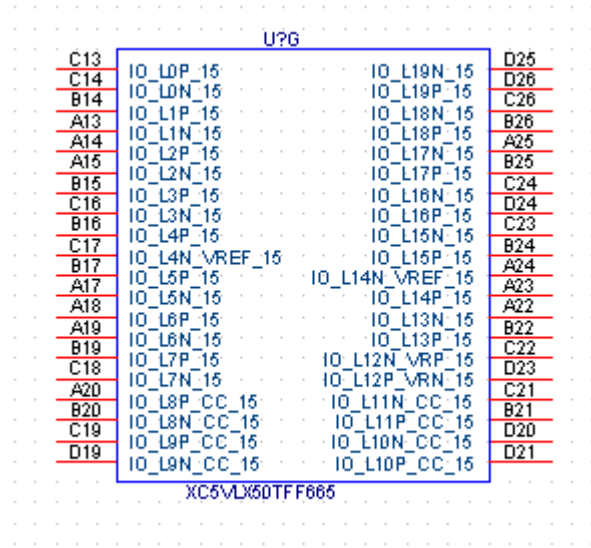
XC5VLX50TFF665

6. I/O Bank 13

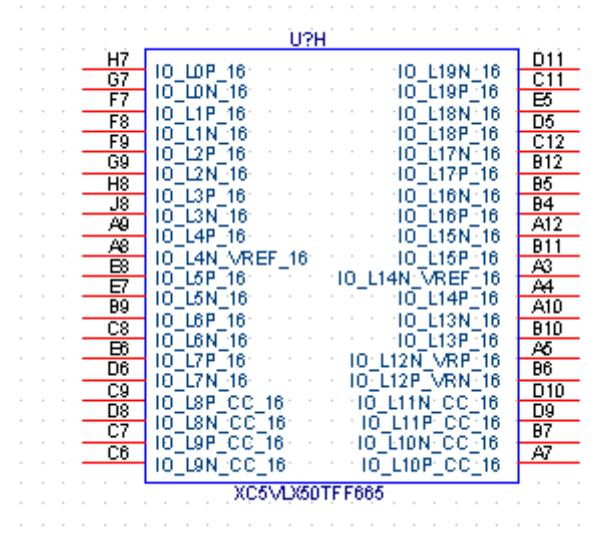
U?F			
P26	IO_L0P_SM8P_13	IO_L19N_13	W21
R26	IO_L0N_SM8N_13	IO_L19P_13	V21
P25	IO_L1P_SM7P_13	IO_L18N_13	V22
R25	IO_L1N_SM7N_13	IO_L18P_13	U21
P24	IO_L2P_SM6P_13	IO_L17N_13	U22
P23	IO_L2N_SM6N_13	IO_L17P_13	T22
R23	IO_L3P_SM5P_13	IO_L16N_13	R21
R22	IO_L3N_SM5N_13	IO_L16P_13	P21
U26	IO_L4P_13	IO_L15N_13	AA23
V26	IO_L4N_VREF_13	IO_L15P_13	AB24
U25	IO_L5P_SM4P_13	IO_L14N_VREF_13	AA24
T25	IO_L5N_SM4N_13	IO_L14P_13	AB25
T24	IO_L6P_SM3P_13	IO_L13N_13	AB26
T23	IO_L6N_SM3N_13	IO_L13P_13	AA25
U24	IO_L7P_SM2P_13	IO_L12N_VRP_13	Y25
V24	IO_L7N_SM2N_13	IO_L12P_VRN_13	Y26
W26	IO_L8P_CC_SM1P_13	IO_L11N_CC_13	W23
W25	IO_L8N_CC_SM1N_13	IO_L11P_CC_13	Y23
W24	IO_L9P_CC_SMDP_13	IO_L10N_CC_13	Y22
V23	IO_L9N_CC_SMDN_13	IO_L10P_CC_13	AA22

XC5VLX50TFF665

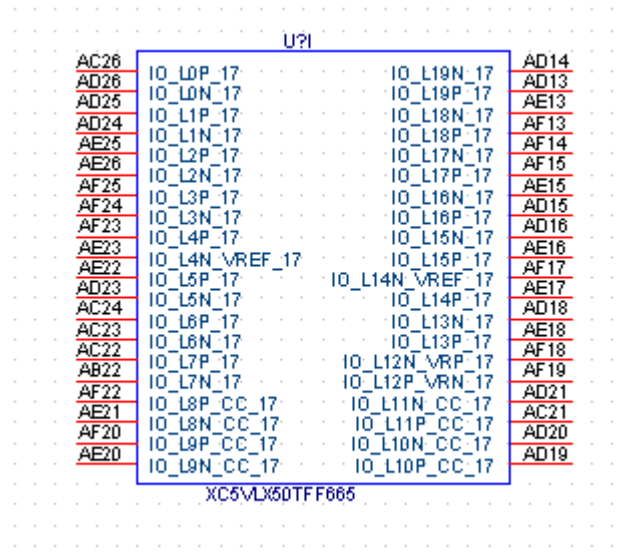
7. I/O Bank 15



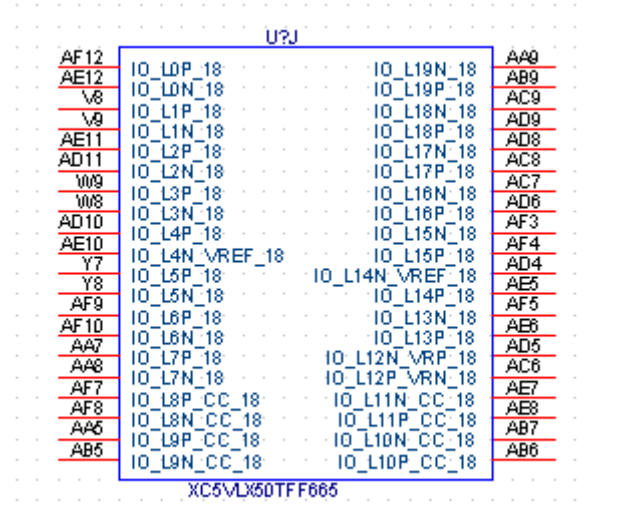
8. I/O Bank 16



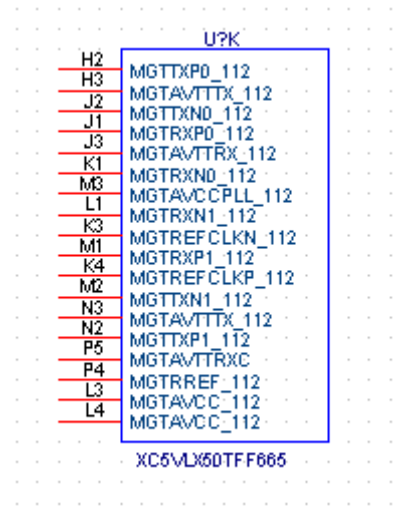
9. I/O Bank 17



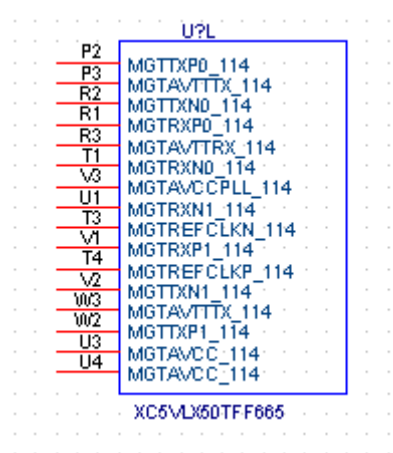
10. I/O Bank 18



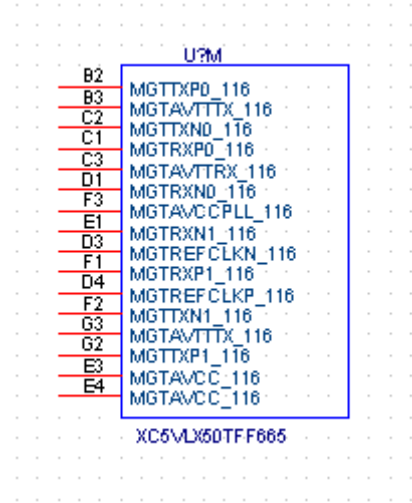
11. MGT 112



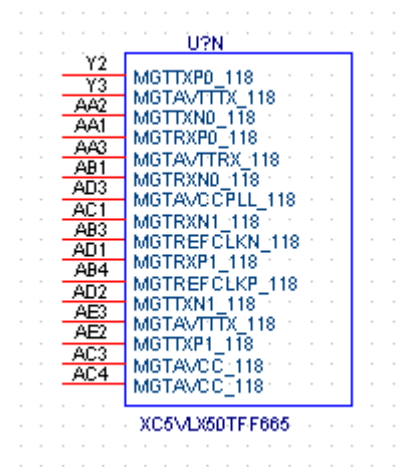
12. MGT 114



13. MGT 116



14. MGT 118



15. GND 1

U?0			
A2	GND	GND	U13
D2	GND	GND	R13
E2	GND	GND	N13
K2	GND	GND	L13
L2	GND	GND	J13
T2	GND	GND	G13
U2	GND	GND	AD12
AB2	GND	GND	W12
AC2	GND	GND	T12
AF2	GND	GND	P12
C4	GND	GND	M12
F4	GND	GND	K12
J4	GND	GND	D12
M4	GND	GND	AF11
R4	GND	GND	AA11
V4	GND	GND	U11
AA4	GND	GND	R11
AE4	GND	GND	N11
C5	GND	GND	L11
N5	GND	GND	A11
V5	GND	GND	V10
AC5	GND	GND	T10
A6	GND	GND	P10
F6	GND	GND	M10
T6	GND	GND	K10
AF6	GND	GND	H10
J7	GND	GND	AE9
W7	GND	GND	Y9
B8	GND	GND	U9
M8	GND	GND	R9
AB8	GND	GND	N9
E9	GND	GND	L9
	GND	GND	

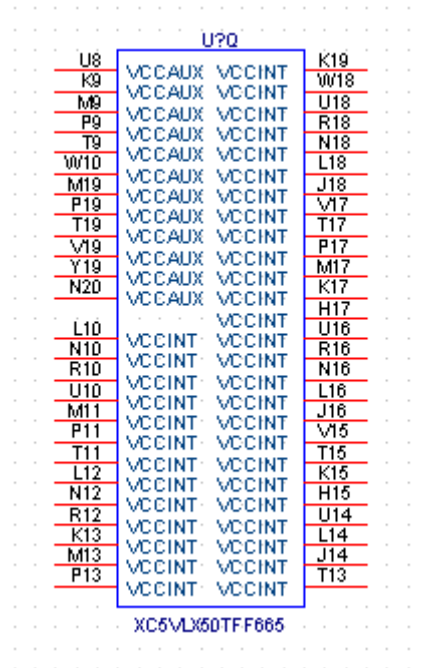
XC5VLX50TFF665

16. GND 2

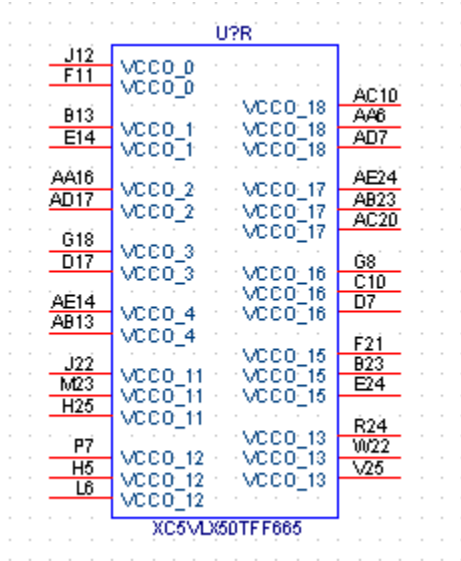
U?P			
H14	GND	GND	AF26
K14	GND	GND	AA26
T14	GND	GND	T26
V14	GND	GND	L26
Y14	GND	GND	F26
C15	GND	GND	A26
J15	GND	GND	AC25
L15	GND	GND	N25
U15	GND	GND	C25
W15	GND	GND	Y24
AC15	GND	GND	K24
A16	GND	GND	U23
F16	GND	GND	G23
H16	GND	GND	AD22
K16	GND	GND	P22
M16	GND	GND	D22
P16	GND	GND	AF21
T16	GND	GND	AA21
V16	GND	GND	T21
AF16	GND	GND	L21
J17	GND	GND	A21
L17	GND	GND	V20
N17	GND	GND	H20
R17	GND	GND	C20
U17	GND	GND	AE19
W17	GND	GND	W19
B18	GND	GND	U19
K18	GND	GND	R19
M18	GND	GND	N19
P18	GND	GND	L19
T18	GND	GND	E19
V18	GND	GND	AB18

XC5VLX50TFF665

17. Power 1



18. Power 2



19. Revision History

	Revision	Date	By	Comments
1	1.01	Feb. 20, 2007	MD	Initial Release