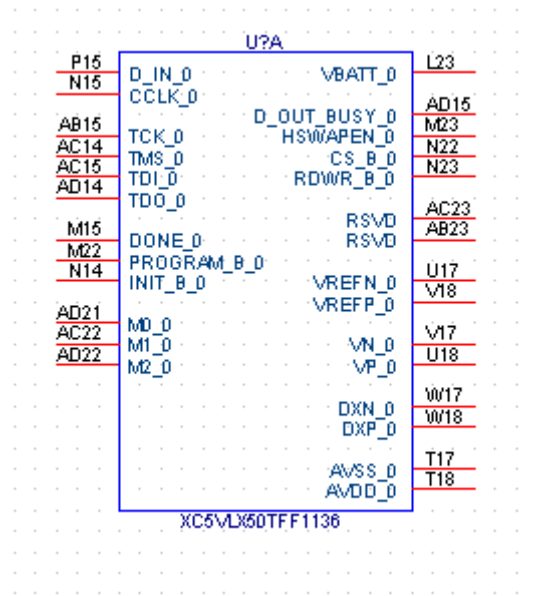


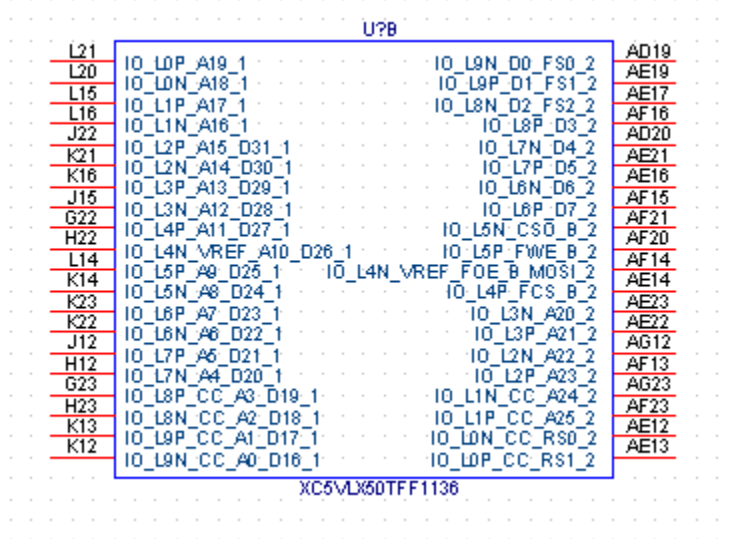
Schematic Symbol for XC5VLX50TFF1136

The Schematic symbol consists of 21 heterogeneous parts that are listed below:

1. Programming Interface



2. I/O Banks 1 and 2



3. I/O Banks 3 and 4

U?C			
H17	IO_L0P_CC_GC_3	IO_L9N_CC_GC_4	AG17
H18	IO_L0N_CC_GC_3	IO_L9P_CC_GC_4	AH18
K17	IO_L1P_CC_GC_3	IO_L8N_CC_GC_4	AE18
L18	IO_L1N_CC_GC_3	IO_L8P_CC_GC_4	AF18
G15	IO_L2N_GC_VRN_3	IO_L8P_CC_GC_4	AG16
G16	IO_L2N_GC_VRP_3	IO_L7N_GC_VRP_4	AH17
K18	IO_L2N_GC_VRP_3	IO_L7P_GC_VRN_4	AF19
J19	IO_L3P_GC_3	IO_L6N_GC_4	AG18
J16	IO_L3N_GC_3	IO_L6P_GC_4	AG15
J17	IO_L4P_GC_3	IO_L5N_GC_4	AH15
L19	IO_L4N_GC_VREF_3	IO_L5P_GC_4	AG20
K19	IO_L5P_GC_3	IO_L4N_GC_VREF_4	AG21
H14	IO_L5N_GC_3	IO_L4P_GC_4	AH13
H15	IO_L6P_GC_3	IO_L3N_GC_D8_4	AH14
J20	IO_L6N_GC_3	IO_L3P_GC_D9_4	AH19
J21	IO_L7P_GC_3	IO_L2N_GC_D10_4	AH20
J14	IO_L7N_GC_3	IO_L2P_GC_D11_4	AG13
H13	IO_L8P_GC_3	IO_L1N_GC_D12_4	AH12
H19	IO_L8N_GC_3	IO_L1P_GC_D13_4	AH22
H20	IO_L9P_GC_3	IO_L0N_GC_D14_4	AG22
	IO_L9N_GC_3	IO_L0P_GC_D15_4	

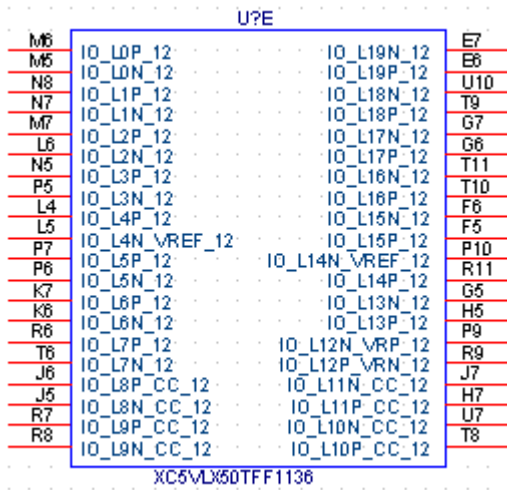
XC5VLX50TFF1136

4. I/O Bank 11

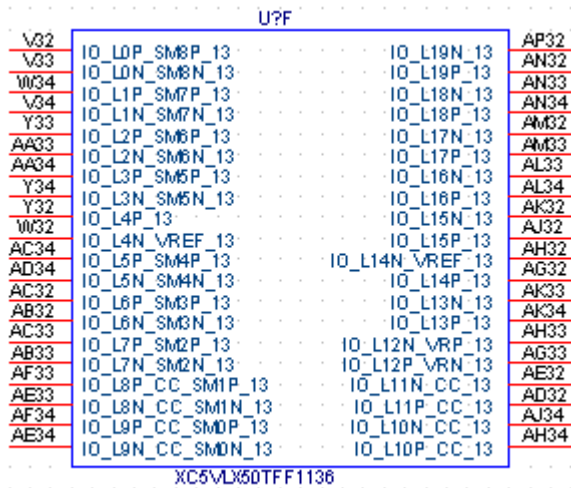
U?D			
B32	IO_L0P_11	IO_L19N_SM0N_11	U31
A33	IO_L0N_11	IO_L19P_SM0P_11	U32
B33	IO_L1P_11	IO_L18N_SM10N_11	T34
C33	IO_L1N_11	IO_L18P_SM10P_11	U33
C32	IO_L2P_11	IO_L17N_SM11N_11	R32
D32	IO_L2N_11	IO_L17P_SM11P_11	R33
C34	IO_L3P_11	IO_L16N_SM12N_11	R34
D34	IO_L3N_11	IO_L16P_SM12P_11	T33
G32	IO_L4P_11	IO_L15N_SM13N_11	N32
H32	IO_L4N_VREF_11	IO_L15P_SM13P_11	P32
F33	IO_L5P_11	IO_L14N_VREF_11	N34
E34	IO_L5N_11	IO_L14P_11	P34
E32	IO_L6P_11	IO_L13N_11	M32
E33	IO_L6N_11	IO_L13P_11	L33
G33	IO_L7P_11	IO_L12N_VRP_11	M33
F34	IO_L7N_11	IO_L12P_VRN_11	N33
J32	IO_L8P_CC_11	IO_L11N_CC_SM14N_11	K32
H33	IO_L8N_CC_11	IO_L11P_CC_SM14P_11	K33
H34	IO_L9P_CC_11	IO_L10N_CC_SM15N_11	K34
J34	IO_L9N_CC_11	IO_L10P_CC_SM15P_11	L34

XC5VLX50TFF1136

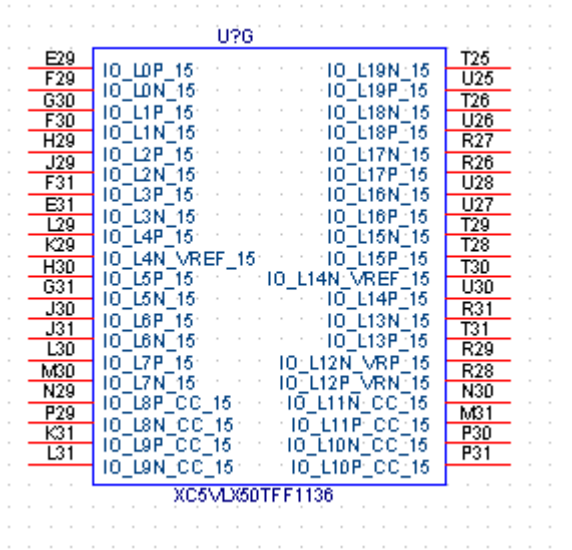
5. I/O Bank 12



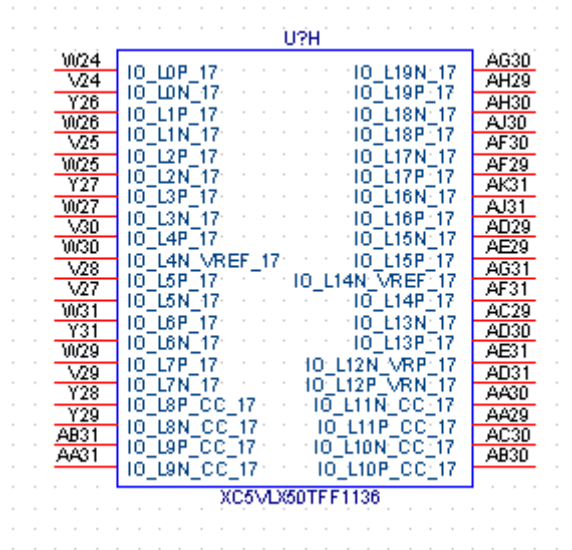
6. I/O Bank 13



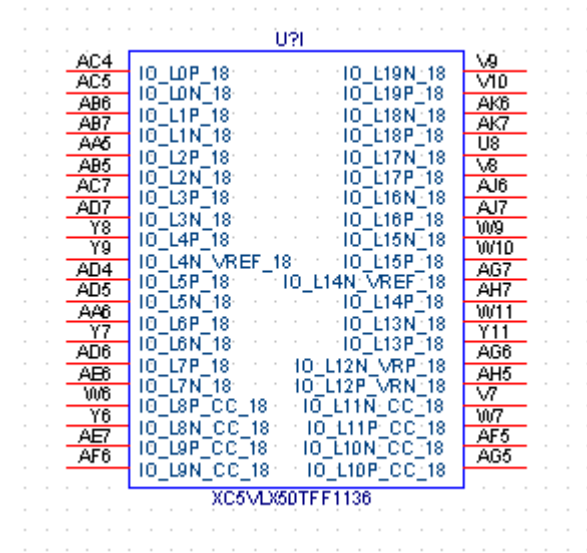
7. I/O Bank 15



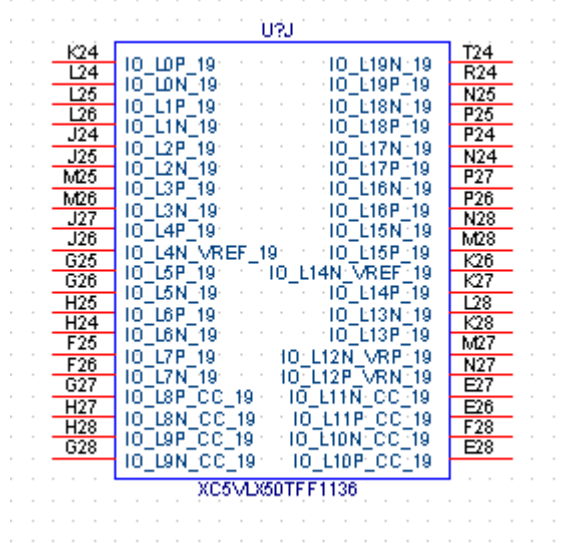
8. I/O Bank 17



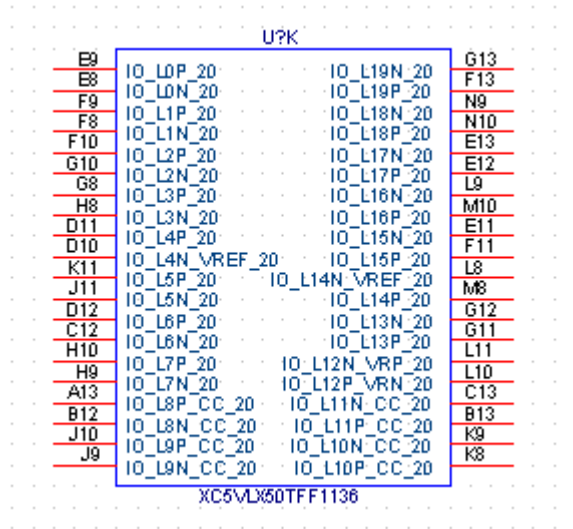
9. I/O Bank 18



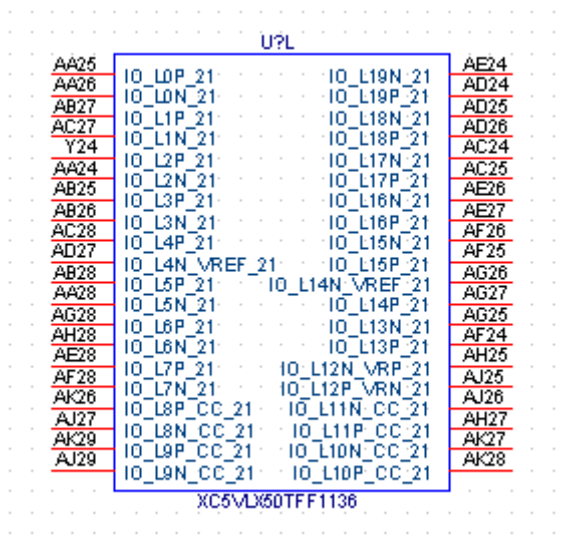
10. I/O Bank 19



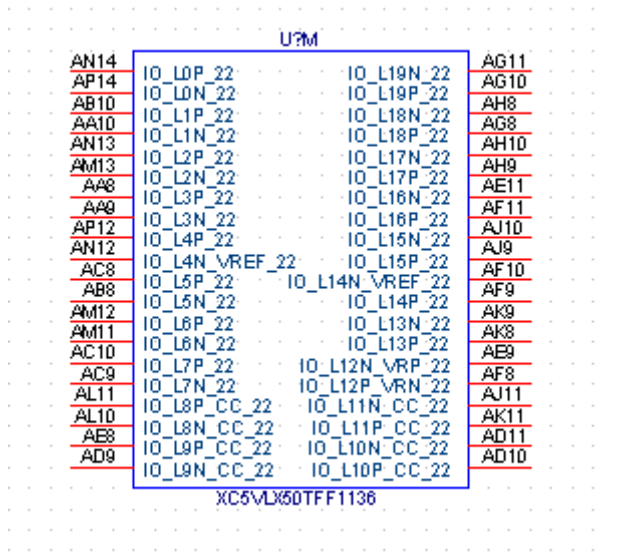
11. I/O Bank 20



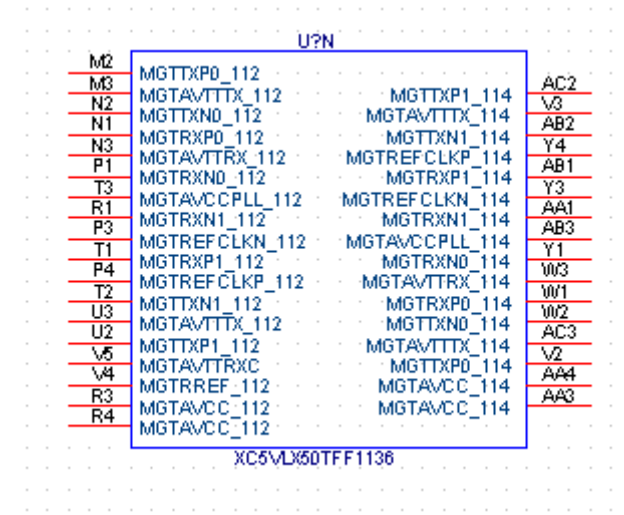
12. I/O Bank 21



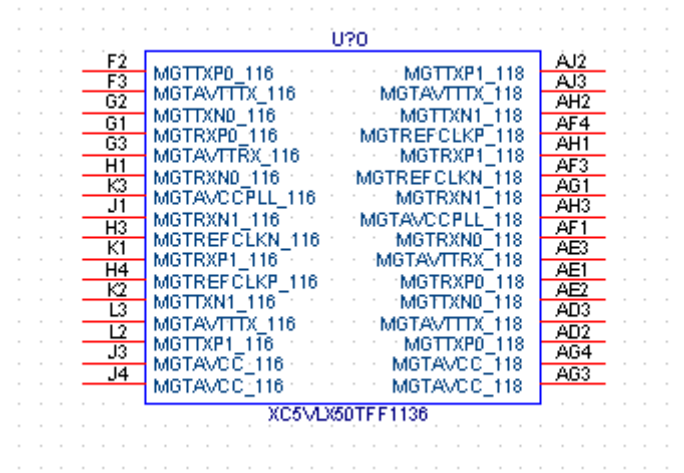
13. I/O Bank 22



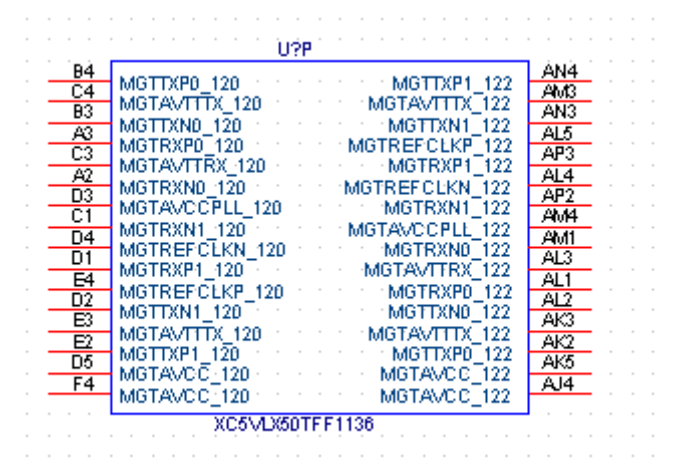
14. MGT 112 and 114



15. MGT 116 and 118



16. MGT 120 and 122



17. GND 1

U?Q			
B1	GND	GND	Y12
AN1	GND	GND	V12
B2	GND	GND	T12
C2	GND	GND	P12
H2	GND	GND	M12
J2	GND	GND	F12
P2	GND	GND	A12
R2	GND	GND	AP11
Y2	GND	GND	AN11
AA2	GND	GND	AC11
AF2	GND	GND	AA11
AG2	GND	GND	U11
AM2	GND	GND	N11
AN2	GND	GND	C11
G4	GND	GND	B11
K4	GND	GND	A11
M4	GND	GND	AK10
N4	GND	GND	AE10
T4	GND	GND	Y10
W4	GND	GND	R10
AB4	GND	GND	K10
AE4	GND	GND	AL9
AH4	GND	GND	AG9
AK4	GND	GND	U9
E5	GND	GND	G9
K5	GND	GND	D9
R5	GND	GND	AN8
T5	GND	GND	AD8
W5	GND	GND	P8
Y5	GND	GND	B8
AE5	GND	GND	AN7
AJ5	GND	GND	AA7
D6	GND	GND	L7
H6	GND	GND	F7
U6	GND	GND	B7
V6	GND	GND	AL6
	GND	GND	AH6
	GND	GND	

XC5VLX50TFF1136

19. GND 3

U?S			
R21	GND	GND	AM34
U21	GND	GND	AG34
W21	GND	GND	AB34
AA21	GND	GND	U34
AC21	GND	GND	M34
AN21	GND	GND	G34
A22	GND	GND	B34
F22	GND	GND	AP33
L22	GND	GND	AJ33
P22	GND	GND	W33
T22	GND	GND	J33
V22	GND	GND	D33
Y22	GND	GND	AF32
AB22	GND	GND	T32
AF22	GND	GND	F32
J23	GND	GND	A32
R23	GND	GND	AN31
U23	GND	GND	AC31
W23	GND	GND	N31
AA23	GND	GND	C31
AJ23	GND	GND	AK30
AP23	GND	GND	Y30
B24	GND	GND	K30
M24	GND	GND	AG29
AB24	GND	GND	U29
AG24	GND	GND	G29
AM24	GND	GND	B29
E25	GND	GND	AP28
K25	GND	GND	AD28
R25	GND	GND	P28
Y25	GND	GND	D28
AE25	GND	GND	AL27
H26	GND	GND	AF27
N26	GND	GND	AA27
V26	GND	GND	L27
AC26	GND	GND	A27
	GND	GND	AH26
		GND	

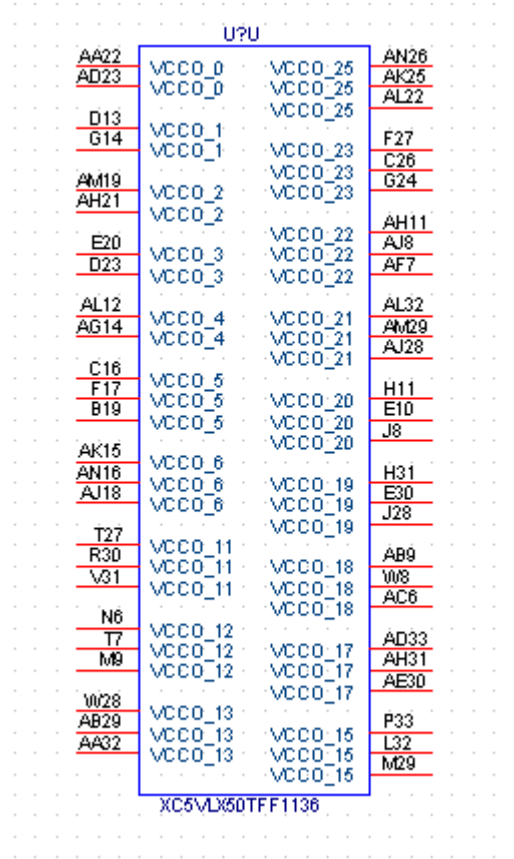
XC5VLX50TFF1136

20. Power 1

U?T			
M11	VCCAUX	VCCINT	W22
P11	VCCAUX	VCCINT	U22
V11	VCCAUX	VCCINT	R22
AB11	VCCAUX	VCCINT	AB21
L12	VCCAUX	VCCINT	Y21
AC12	VCCAUX	VCCINT	V21
M21	VCCAUX	VCCINT	T21
P23	VCCAUX	VCCINT	P21
T23	VCCAUX	VCCINT	AC20
V23	VCCAUX	VCCINT	AA20
Y23	VCCAUX	VCCINT	W20
U24	VCCAUX	VCCINT	U20
N12	VCCINT	VCCINT	R20
R12	VCCINT	VCCINT	N20
U12	VCCINT	VCCINT	AB19
W12	VCCINT	VCCINT	Y19
AA12	VCCINT	VCCINT	V19
M13	VCCINT	VCCINT	T19
P13	VCCINT	VCCINT	P19
T13	VCCINT	VCCINT	M19
V13	VCCINT	VCCINT	AC18
Y13	VCCINT	VCCINT	AA18
AB13	VCCINT	VCCINT	R18
AD13	VCCINT	VCCINT	N18
R14	VCCINT	VCCINT	AD17
U14	VCCINT	VCCINT	AB17
W14	VCCINT	VCCINT	Y17
AA14	VCCINT	VCCINT	P17
T15	VCCINT	VCCINT	M17
V15	VCCINT	VCCINT	AC16
Y15	VCCINT	VCCINT	AA16
N16	VCCINT	VCCINT	W16
R16	VCCINT	VCCINT	U16

XC5VLX50TFF1136

21. Power 2



22. Revision History

	Revision	Date	By	Comments
1	1.01	Feb. 20, 2007	MD	Initial Release