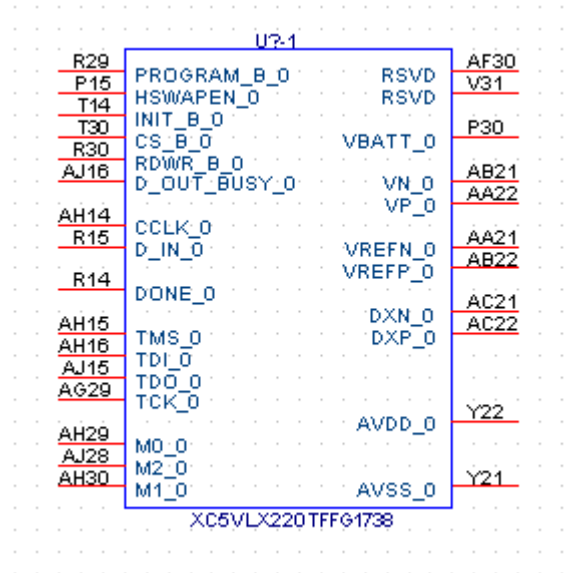


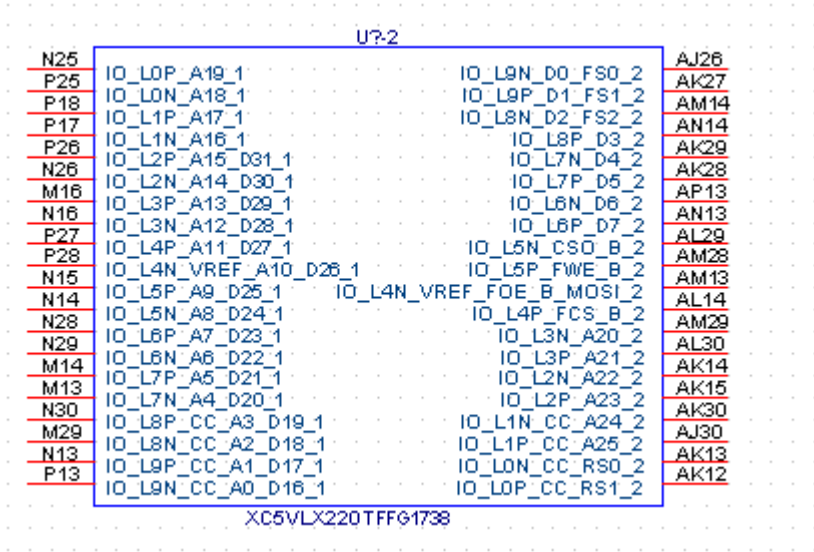
Schematic Symbol for XC5VLX220TFF (G) 1738

The Schematic symbol consists of 30 heterogeneous parts that are listed below:

1. Programming Interface



2. I/O Banks 1 and 2



3. I/O Banks 3 and 4

U7:3			
J16	IO_L0P_CC_GC_3	IO_L9N_CC_GC_4	AP15
J15	IO_L0N_CC_GC_3	IO_L9P_CC_GC_4	AP16
M26	IO_L1P_CC_GC_3	IO_L8N_CC_GC_4	AL26
L27	IO_L1N_CC_GC_3	IO_L8P_CC_GC_4	AL27
J17	IO_L2P_GC_VRN_3	IO_L7N_GC_VRN_4	AN16
K17	IO_L2N_GC_VRP_3	IO_L7P_GC_VRN_4	AN15
M27	IO_L3P_GC_3	IO_L6N_GC_4	AM26
M28	IO_L3N_GC_3	IO_L6P_GC_4	AM27
L17	IO_L4P_GC_3	IO_L5N_GC_4	AM17
M17	IO_L4N_GC_VREF_3	IO_L5P_GC_4	AM16
L29	IO_L5P_GC_3	IO_L4N_GC_VREF_4	AN28
K28	IO_L5N_GC_3	IO_L4P_GC_4	AP27
L16	IO_L6P_GC_3	IO_L3N_GC_D8_4	AL16
L15	IO_L6N_GC_3	IO_L3P_GC_D9_4	AL15
K29	IO_L7P_GC_3	IO_L2N_GC_D10_4	AP28
J30	IO_L7N_GC_3	IO_L2P_GC_D11_4	AN29
L14	IO_L8P_GC_3	IO_L1N_GC_D12_4	AL17
K15	IO_L8N_GC_3	IO_L1P_GC_D13_4	AK17
K30	IO_L9P_GC_3	IO_L0N_GC_D14_4	AP30
L30	IO_L9N_GC_3	IO_L0P_GC_D15_4	AN30

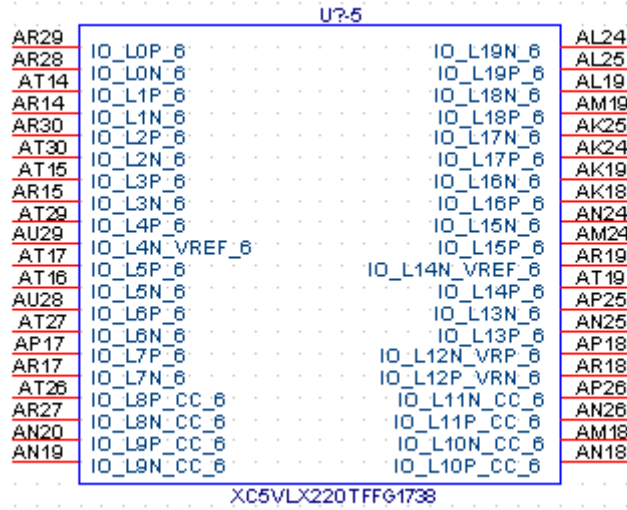
XC5VLX220TFF61738

4. I/O Bank 5

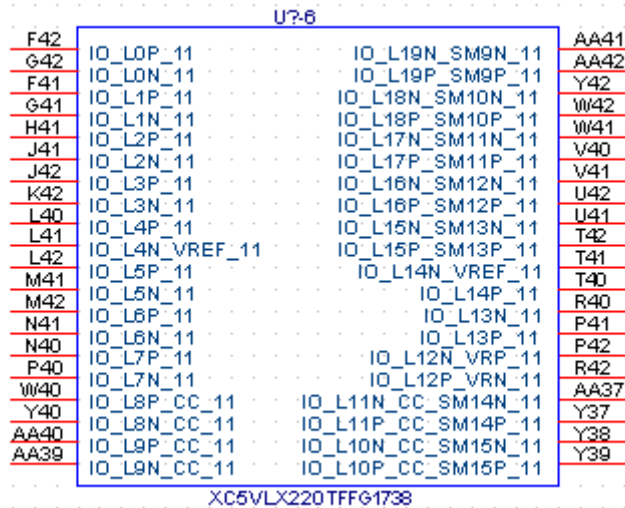
U7:4			
L24	IO_L0P_5	IO_L19N_5	H30
M24	IO_L0N_5	IO_L19P_5	H29
E18	IO_L1P_5	IO_L18N_5	L19
E17	IO_L1N_5	IO_L18P_5	L20
K24	IO_L2P_5	IO_L17N_5	F29
L25	IO_L2N_5	IO_L17P_5	G29
F16	IO_L3P_5	IO_L16N_5	N18
F17	IO_L3N_5	IO_L16P_5	M18
K25	IO_L4P_5	IO_L15N_5	H28
J25	IO_L4N_VREF_5	IO_L15P_5	G28
G16	IO_L5P_5	IO_L14N_VREF_5	N19
H16	IO_L5N_5	IO_L14P_5	M19
H26	IO_L6P_5	IO_L13N_5	F27
J26	IO_L6N_5	IO_L13P_5	G27
G18	IO_L7P_5	IO_L12N_VRP_5	P20
G17	IO_L7N_5	IO_L12P_VRN_5	N20
J28	IO_L8P_CC_5	IO_L11N_CC_5	L26
J27	IO_L8N_CC_5	IO_L11P_CC_5	K27
J18	IO_L9P_CC_5	IO_L10N_CC_5	K19
H18	IO_L9N_CC_5	IO_L10P_CC_5	K18

XC5VLX220TFF61738

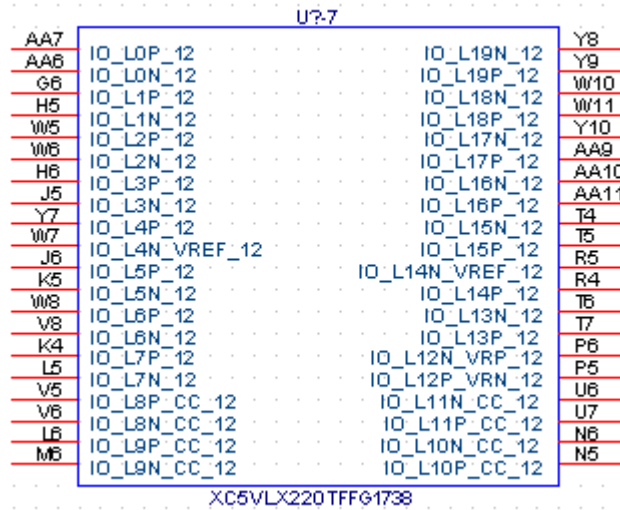
5. I/O Bank 6



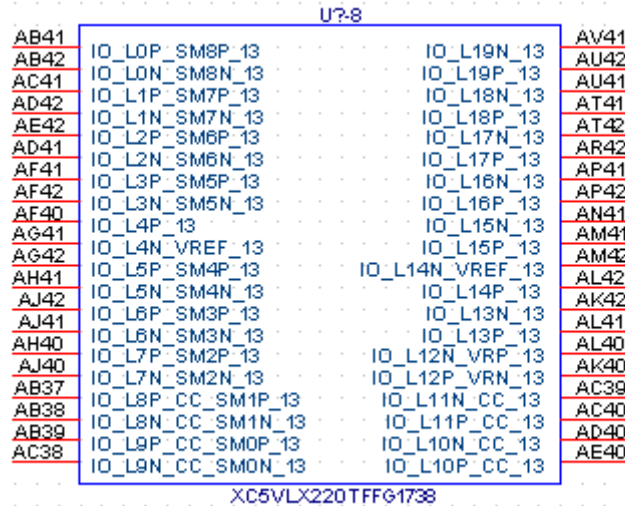
6. I/O Bank 11



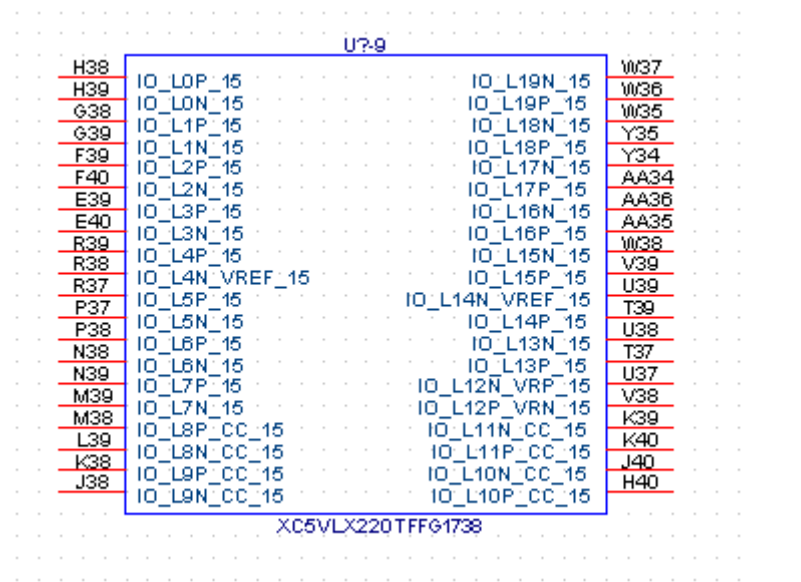
7. I/O Bank 12



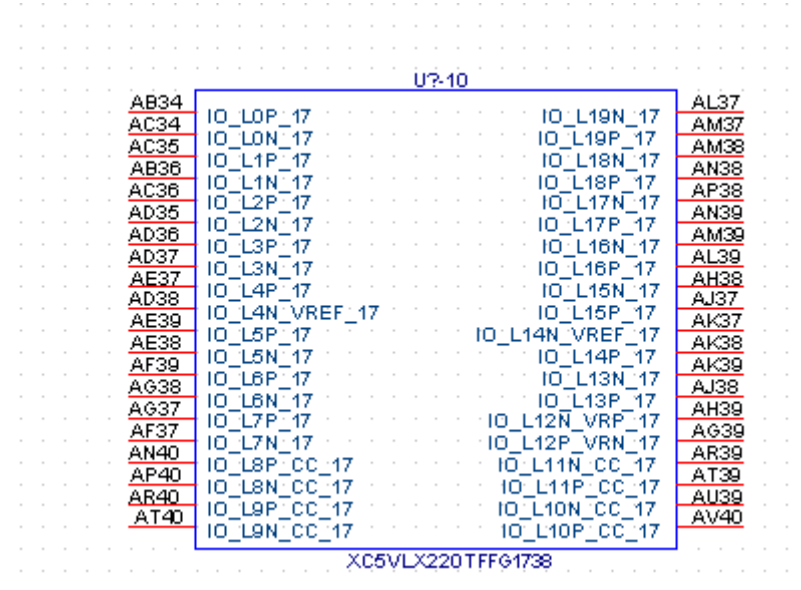
8. I/O Bank 13



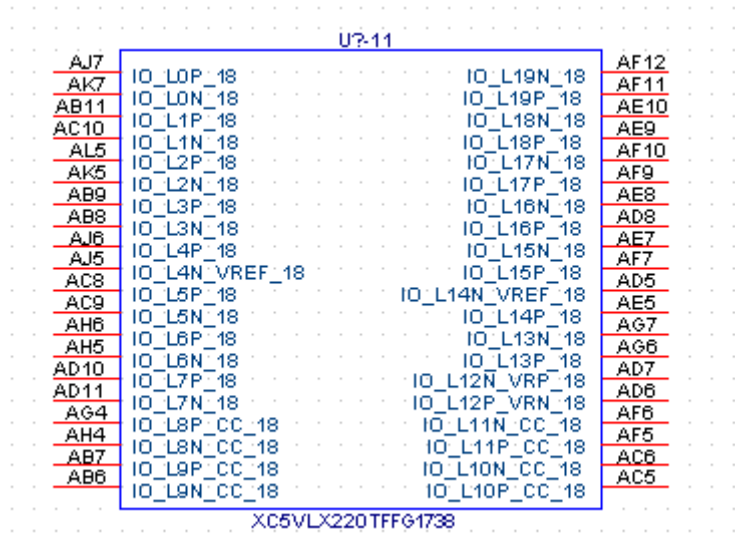
9. I/O Bank 15



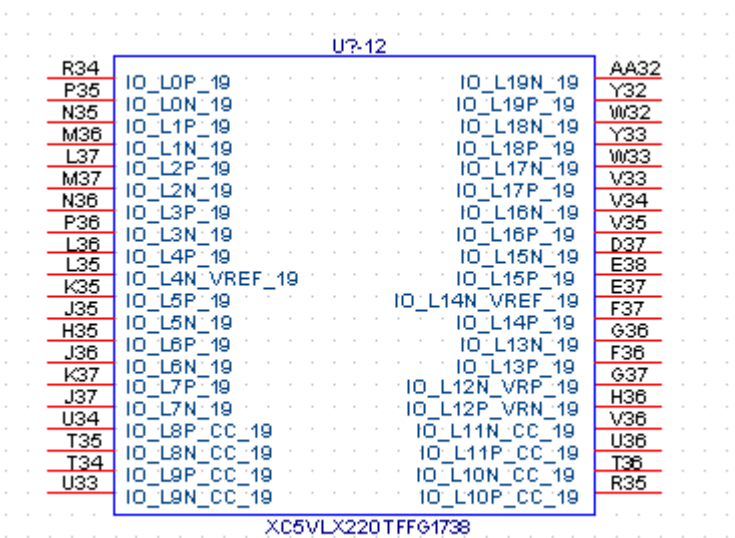
10. I/O Bank 17



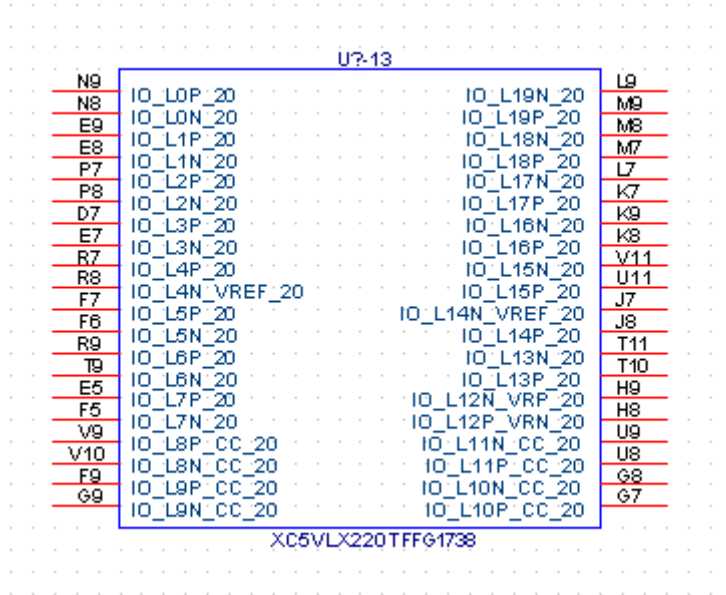
11. I/O Bank 18



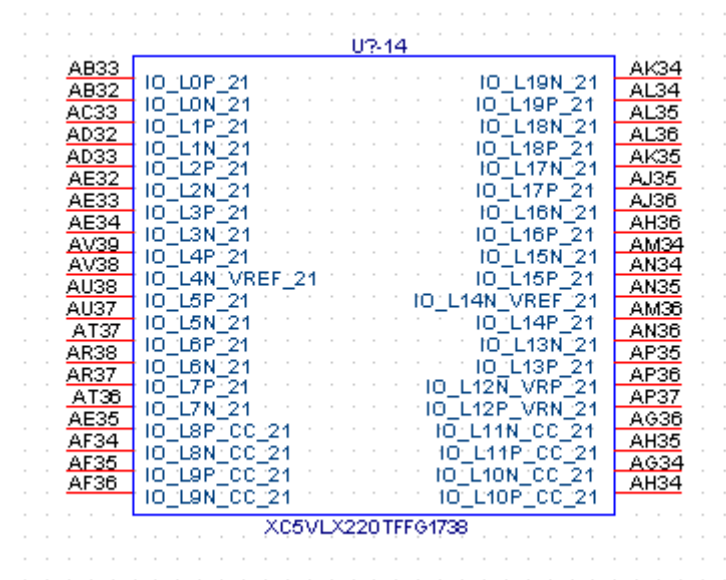
12. I/O Bank 19



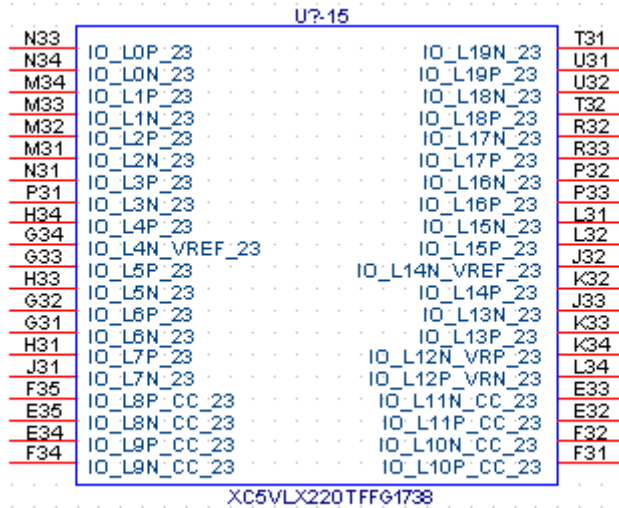
13. I/O Bank 20



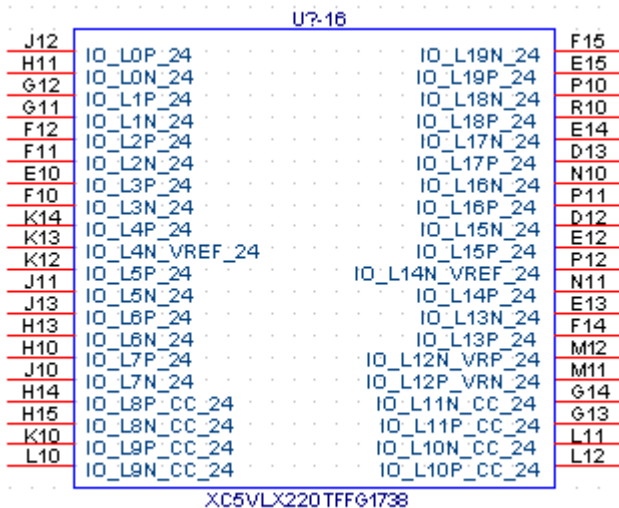
14. I/O Bank 21



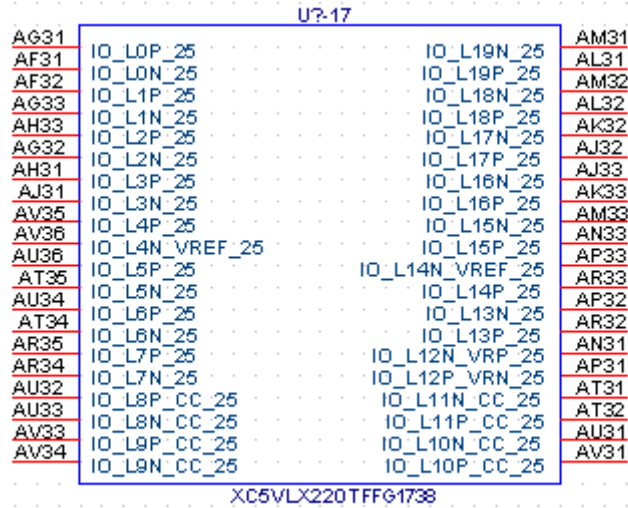
15. I/O Bank 23



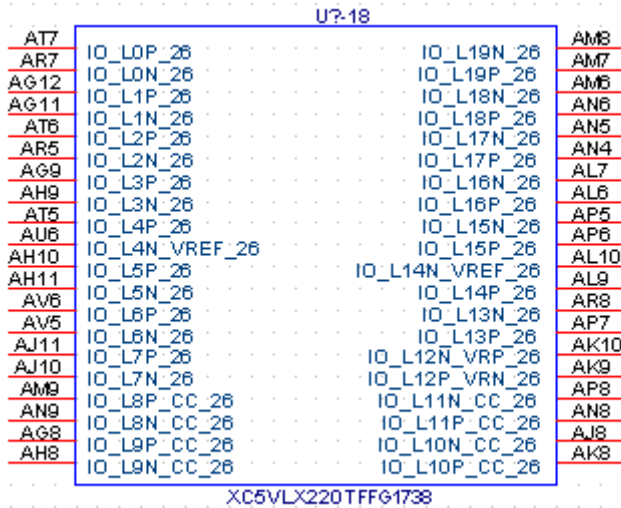
16. I/O Bank 24



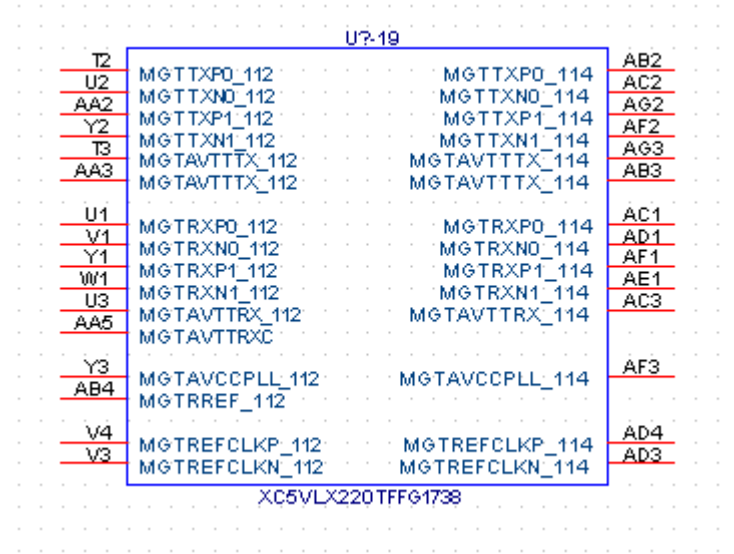
17. I/O Bank 25



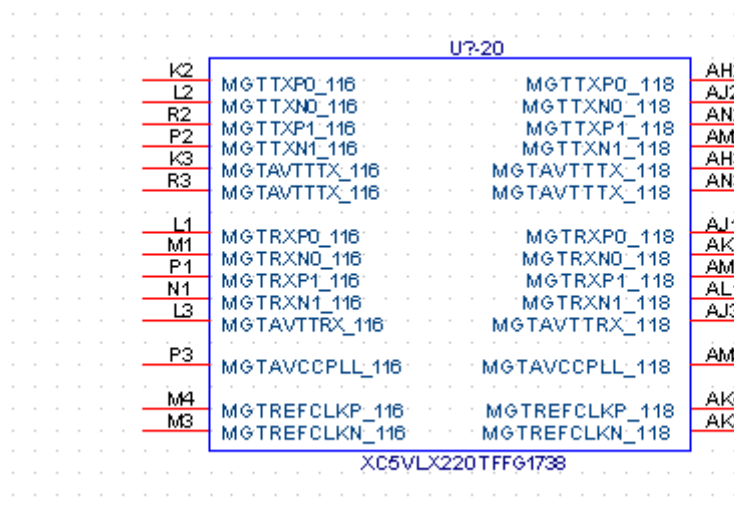
18. I/O Bank 26



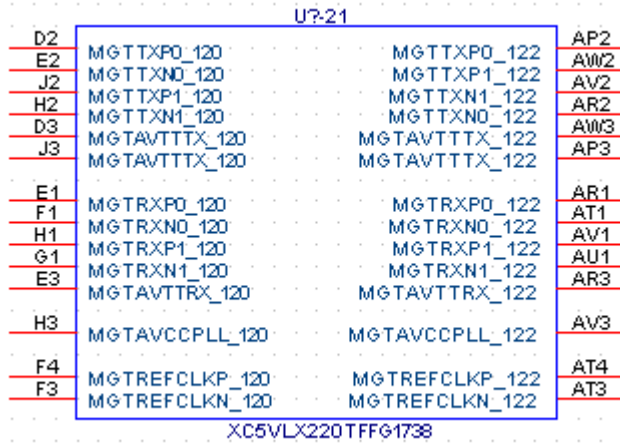
19. MGT 112 and 114



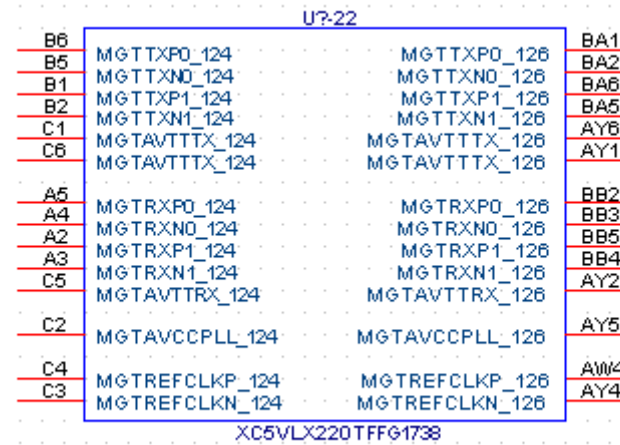
20. MGT 116 and 118



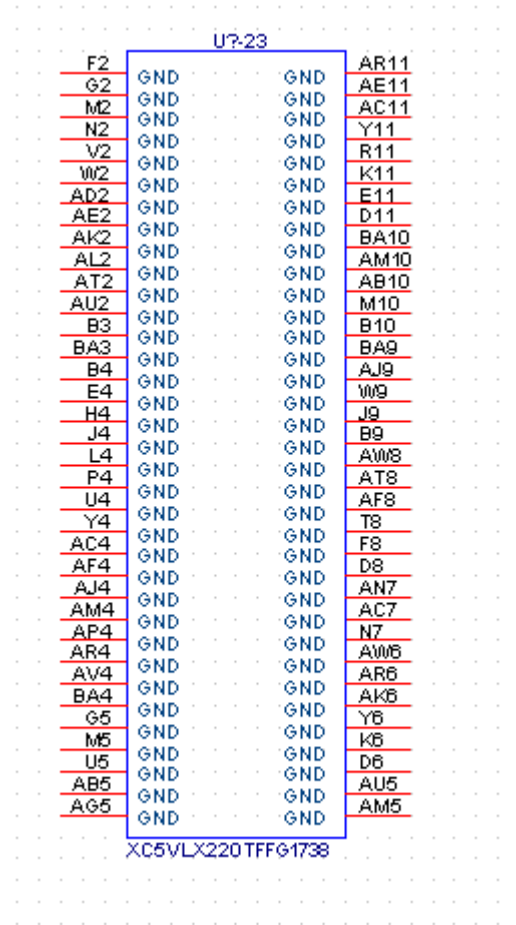
21. MGT 120 and 122



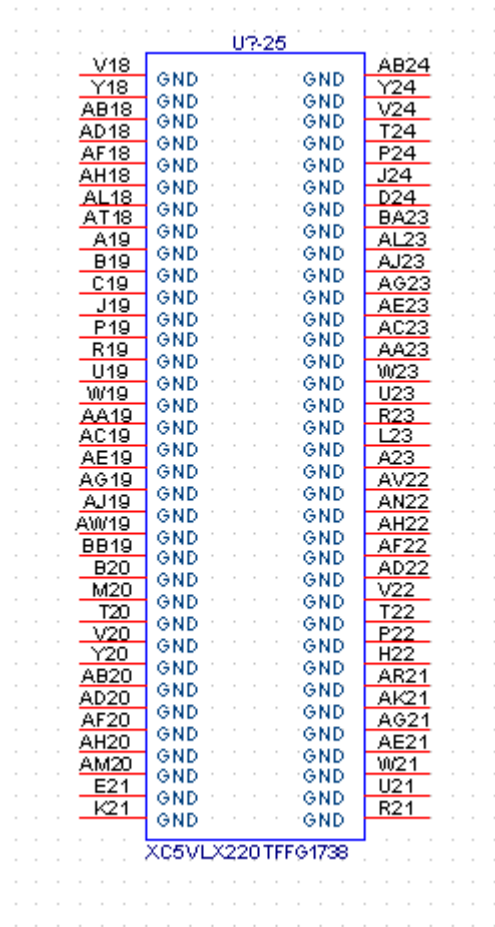
22. MGT 124 and 126



23. GND 1



25. GND 3

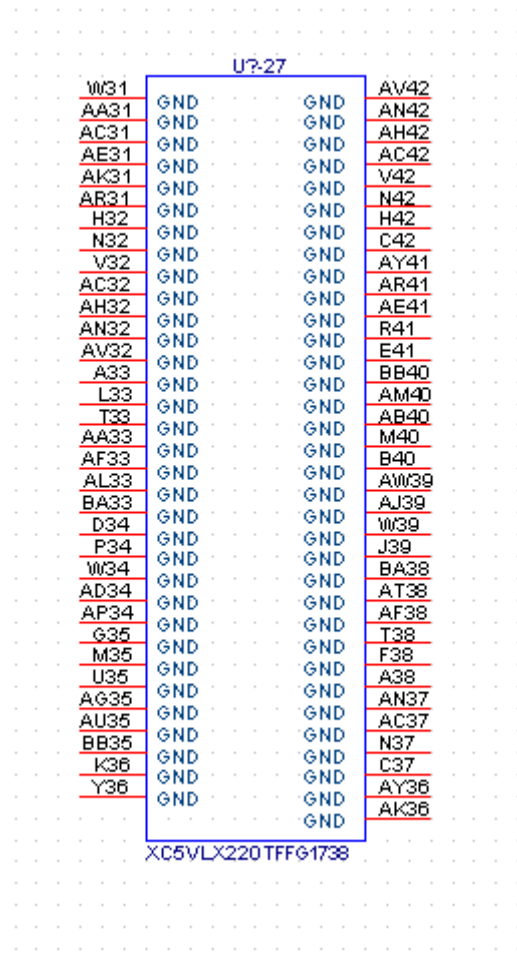


26. GND 4

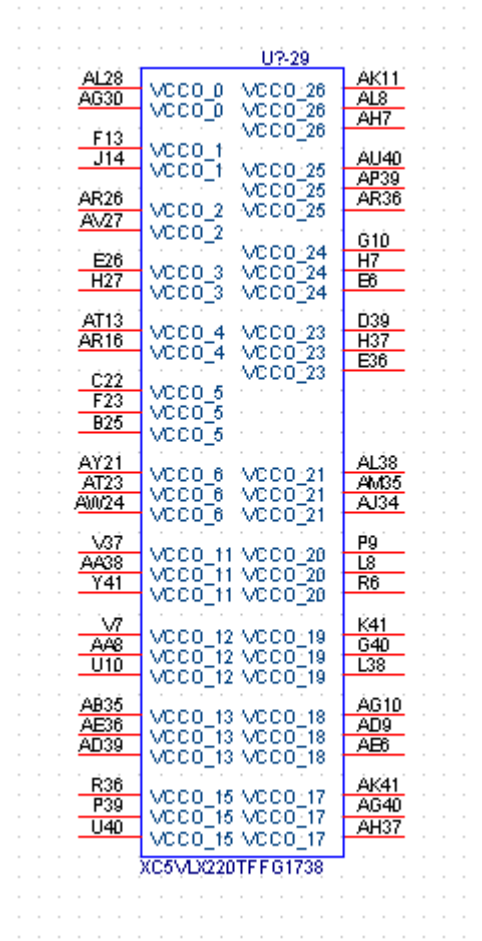
U7-26			
AD24	GND	GND	R31
AF24	GND	GND	K31
AH24	GND	GND	E31
AP24	GND	GND	BB30
G25	GND	GND	AM30
M25	GND	GND	AD30
R25	GND	GND	AB30
U25	GND	GND	Y30
W25	GND	GND	V30
AA25	GND	GND	M30
AC25	GND	GND	B30
AE25	GND	GND	AW29
AG25	GND	GND	AP29
AJ25	GND	GND	AJ29
AM25	GND	GND	AE29
AU25	GND	GND	AC29
BB25	GND	GND	AA29
K26	GND	GND	W29
T26	GND	GND	U29
V26	GND	GND	P29
Y26	GND	GND	J29
AB26	GND	GND	AT28
AD26	GND	GND	AH28
AF26	GND	GND	AF28
AH26	GND	GND	AD28
AK26	GND	GND	AB28
AY26	GND	GND	Y28
C27	GND	GND	V28
N27	GND	GND	T28
R27	GND	GND	L28
U27	GND	GND	F28
W27	GND	GND	A28
AA27	GND	GND	AN27
AC27	GND	GND	AJ27
AE27	GND	GND	AG27
	GND	GND	

XC5VLX220TFFG1738

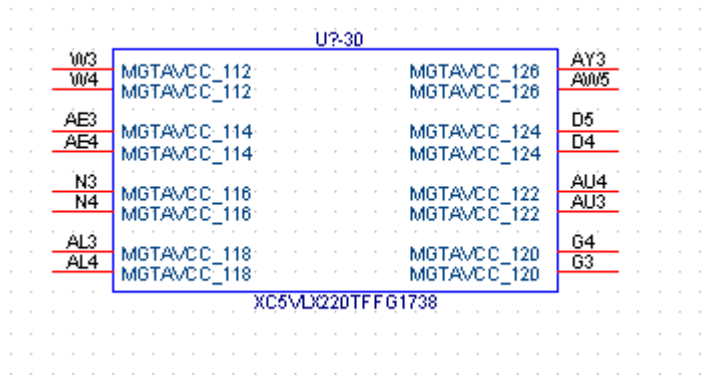
27. GND 5



29. Power 2



30. MGT Power



31. Revision History

	Revision	Date	By	Comments
1	1.01	Sept. 24, 2007	MD	Initial Release