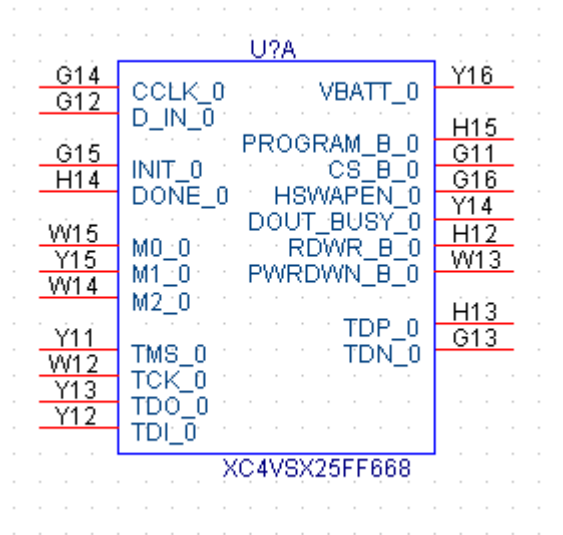


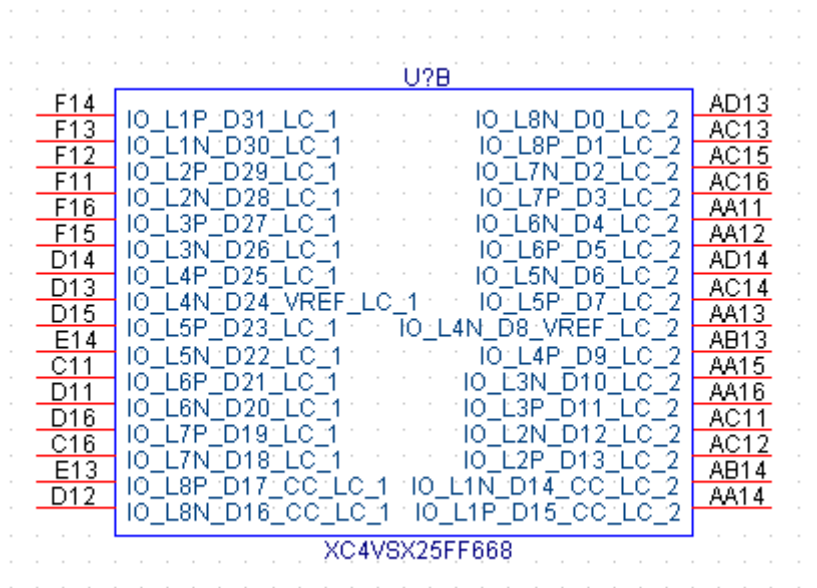
## Schematic Symbol for XC4VSX25FF668

The Schematic symbol consists of 10 heterogeneous parts that are listed below:

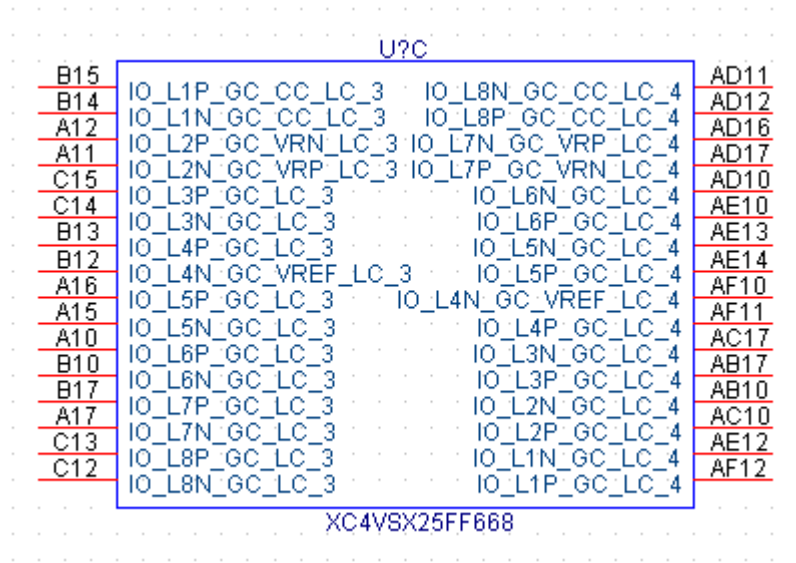
### 1. Programming Interface



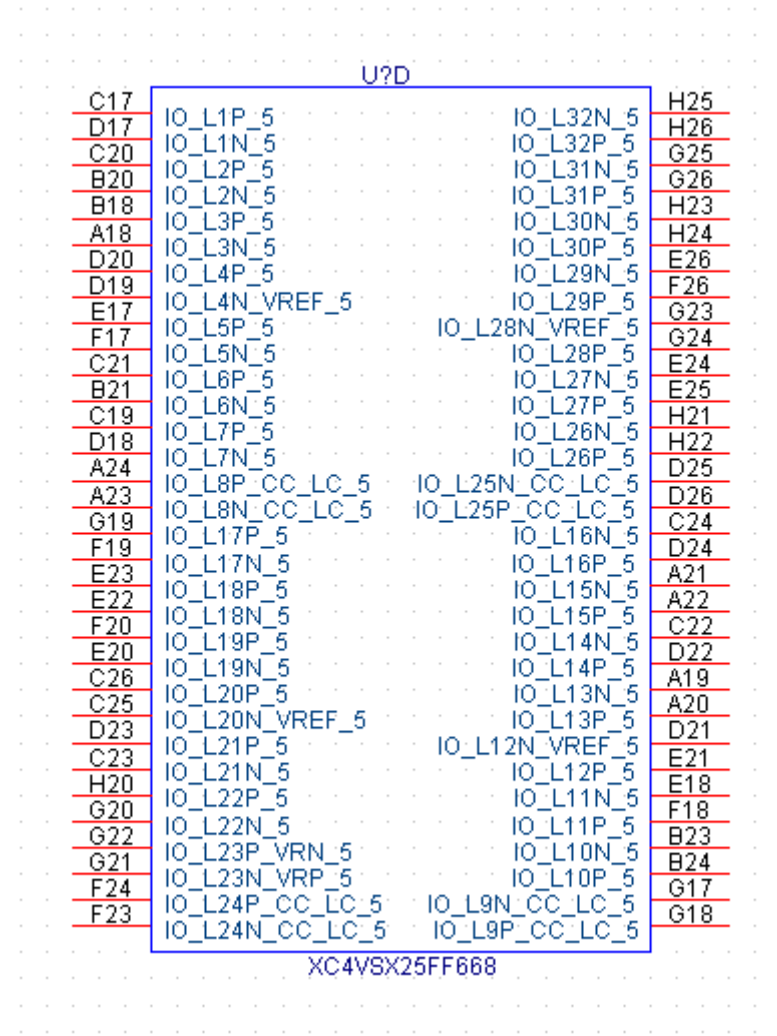
## 2. I/O Banks 1 and 2



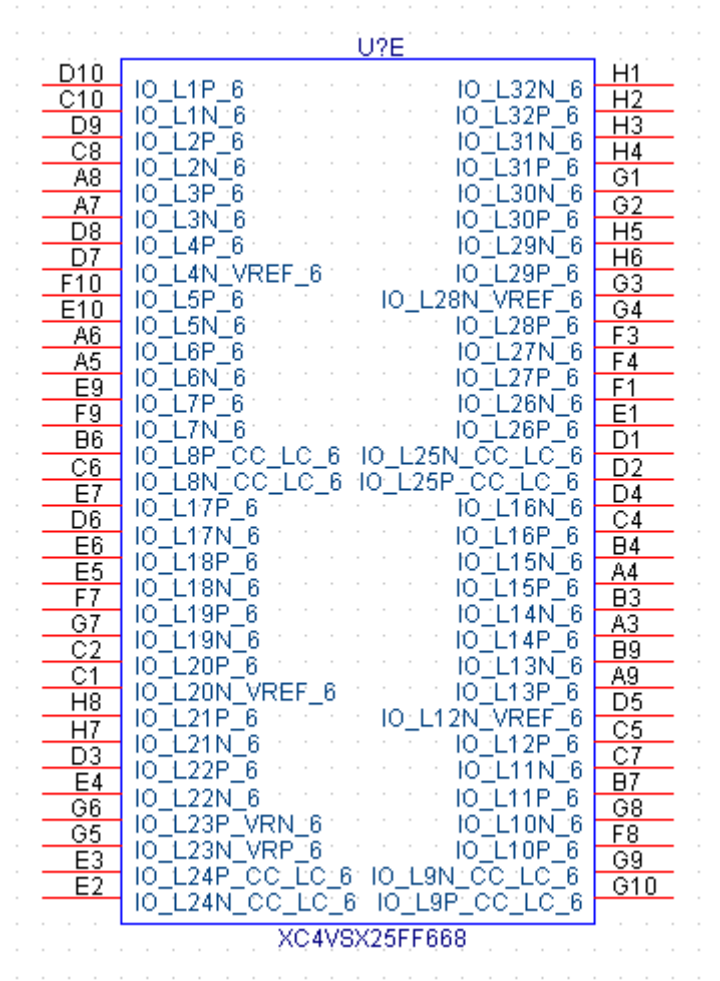
### 3. I/O Banks 3 and 4



#### 4. I/O Bank 5



### 5. I/O Bank 6

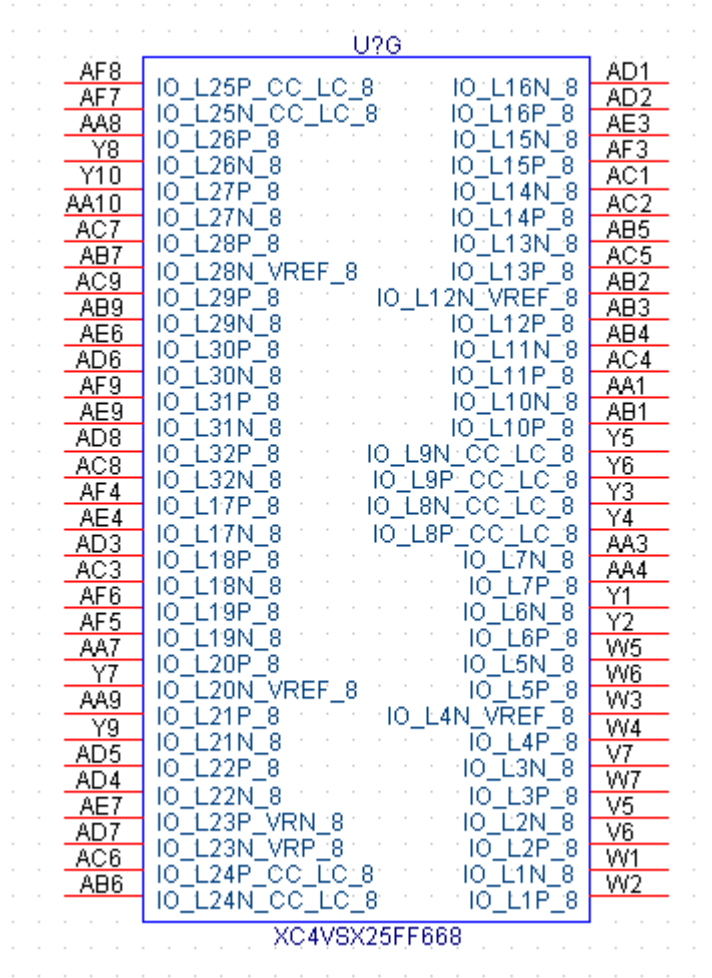


## 6. I/O Bank 7

U?F		
AD19		AC24
AC19	IO_L25P_CC_LC_7	AC23
AA19	IO_L25N_CC_LC_7	AD23
AA20	IO_L26P_7	AD22
Y17	IO_L26N_7	AA23
AA17	IO_L27P_7	AB23
AB20	IO_L27N_7	AB22
AC20	IO_L28P_7	AC22
AC18	IO_L28N_VREF_7	Y23
AB18	IO_L29P_7	Y22
AF21	IO_L29N_7	AD26
AF22	IO_L30P_7	AD25
AF18	IO_L30N_7	AA26
AE18	IO_L31P_7	AB26
AE21	IO_L31N_7	AC26
AD21	IO_L32P_7	AC25
AF19	IO_L32N_7	Y24
AF20	IO_L17P_7	AA24
Y19	IO_L17N_7	AB25
W19	IO_L18P_7	AB24
AF23	IO_L18N_7	Y26
AE23	IO_L19P_7	Y25
Y20	IO_L19N_7	V20
Y21	IO_L20P_7	W20
AA18	IO_L20N_VREF_7	W24
Y18	IO_L21P_7	W23
AF24	IO_L21N_7	W22
AE24	IO_L22P_7	W21
AE20	IO_L22N_7	W26
AD20	IO_L23P_VRN_7	W25
AC21	IO_L23N_VRP_7	V22
AB21	IO_L24P_CC_LC_7	V21
	IO_L24N_CC_LC_7	

XC4VSX25FF668

### 7. I/O Bank 8

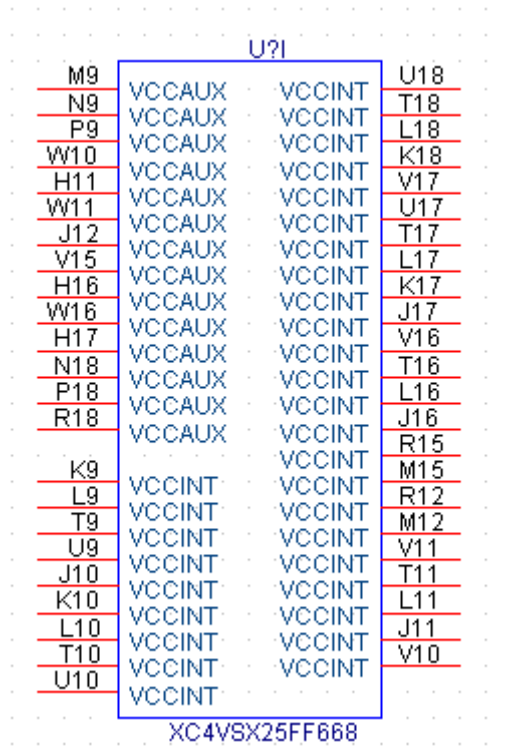


## 8. GND

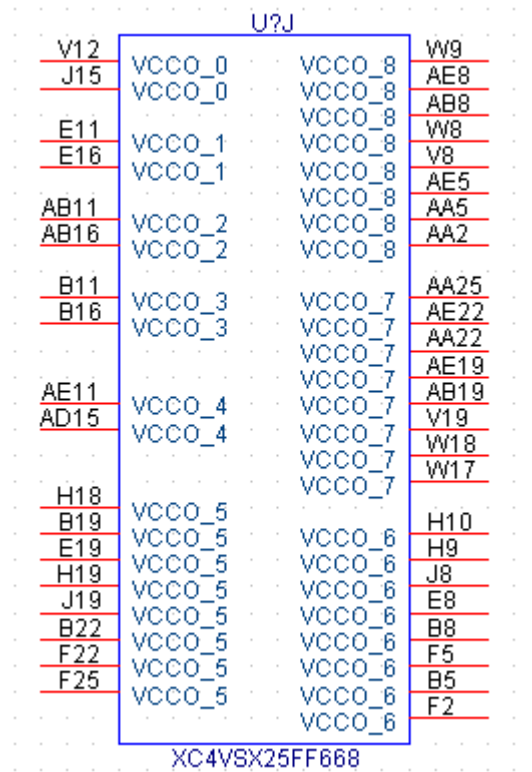
U?H			
B1	GND	GND	AE26
P1	GND	GND	N26
AE1	GND	GND	B26
A2	GND	GND	AF25
B2	GND	GND	AE25
AE2	GND	GND	B25
AF2	GND	GND	A25
C3	GND	GND	AD24
J3	GND	GND	V24
V3	GND	GND	J24
F6	GND	GND	AA21
N6	GND	GND	P21
AA6	GND	GND	F21
C9	GND	GND	AD18
AD9	GND	GND	C18
M10	GND	GND	R17
N10	GND	GND	P17
P10	GND	GND	N17
R10	GND	GND	M17
K11	GND	GND	U16
M11	GND	GND	R16
N11	GND	GND	P16
P11	GND	GND	N16
R11	GND	GND	M16
U11	GND	GND	K16
E12	GND	GND	AB15
K12	GND	GND	U15
L12	GND	GND	T15
N12	GND	GND	P15
P12	GND	GND	N15
T12	GND	GND	L15
U12	GND	GND	K15
AB12	GND	GND	E15
A13	GND	GND	AF14
J13	GND	GND	V14
K13	GND	GND	U14
L13	GND	GND	T14
M13	GND	GND	R14
N13	GND	GND	P14
P13	GND	GND	N14
R13	GND	GND	M14
T13	GND	GND	L14
U13	GND	GND	K14
V13	GND	GND	J14
AF13	GND	GND	A14

XC4VSX25FF668

### 9. Power 1



### 10. Power 2



### 15. Revision History

	Revision	Date	By	Comments
1	1.01	Feb 07, 2007	MD	Initial Release