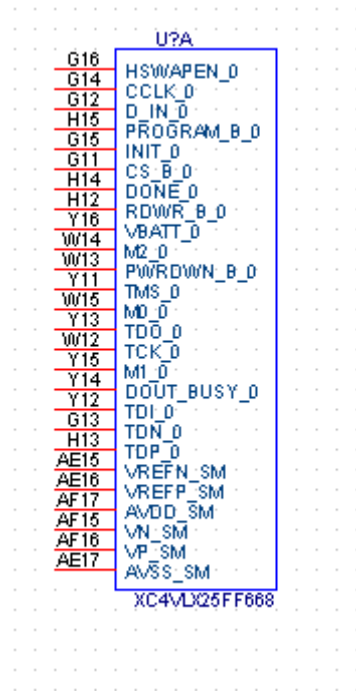


Schematic Symbol for XC4VLX25 FF668

The Schematic symbol consists of 12 heterogeneous parts that are listed below:

1. Programming Interface



2. I/O Banks 1 and 2

U?B

F14	IO_L1P_D31_LC_1
F13	IO_L1N_D30_LC_1
F12	IO_L2P_D29_LC_1
F11	IO_L2N_D28_LC_1
F16	IO_L3P_D27_LC_1
F15	IO_L3N_D26_LC_1
D14	IO_L4P_D25_LC_1
D13	IO_L4N_D24_VREF_LC_1
D15	IO_L5P_D23_LC_1
E14	IO_L5N_D22_LC_1
C11	IO_L6P_D21_LC_1
D11	IO_L6N_D20_LC_1
D16	IO_L7P_D19_LC_1
C16	IO_L7N_D18_LC_1
E13	IO_L8P_D17_CC_LC_1
D12	IO_L8N_D16_CC_LC_1
AA14	IO_L1P_D15_CC_LC_2
AB14	IO_L1N_D14_CC_LC_2
AC12	IO_L2P_D13_LC_2
AC11	IO_L2N_D12_LC_2
AA16	IO_L3P_D11_LC_2
AA15	IO_L3N_D10_LC_2
AB13	IO_L4P_D9_LC_2
AA13	IO_L4N_D8_VREF_LC_2
AC14	IO_L5P_D7_LC_2
AD14	IO_L5N_D6_LC_2
AA12	IO_L6P_D5_LC_2
AA11	IO_L6N_D4_LC_2
AC16	IO_L7P_D3_LC_2
AC15	IO_L7N_D2_LC_2
AC13	IO_L8P_D1_LC_2
AD13	IO_L8N_D0_LC_2

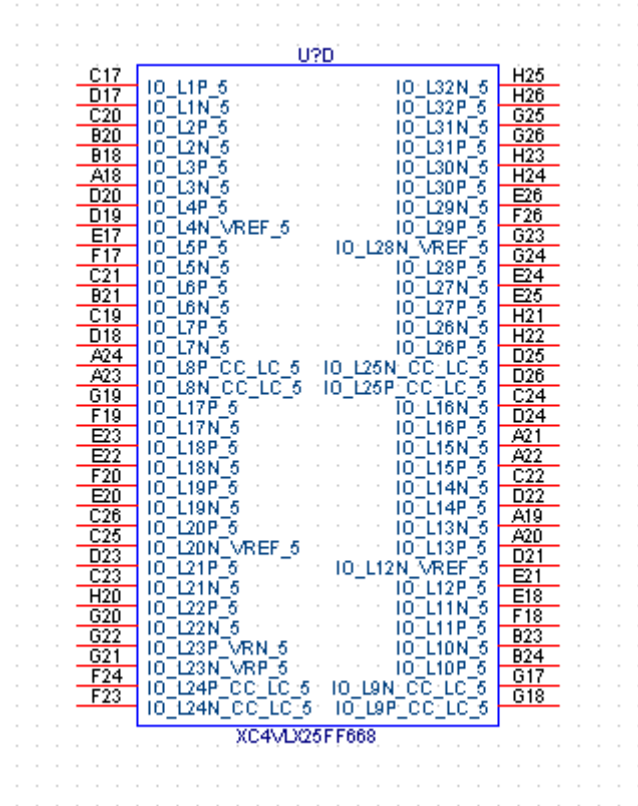
XC4VLX25FF668

3. I/O Banks 3 and 4

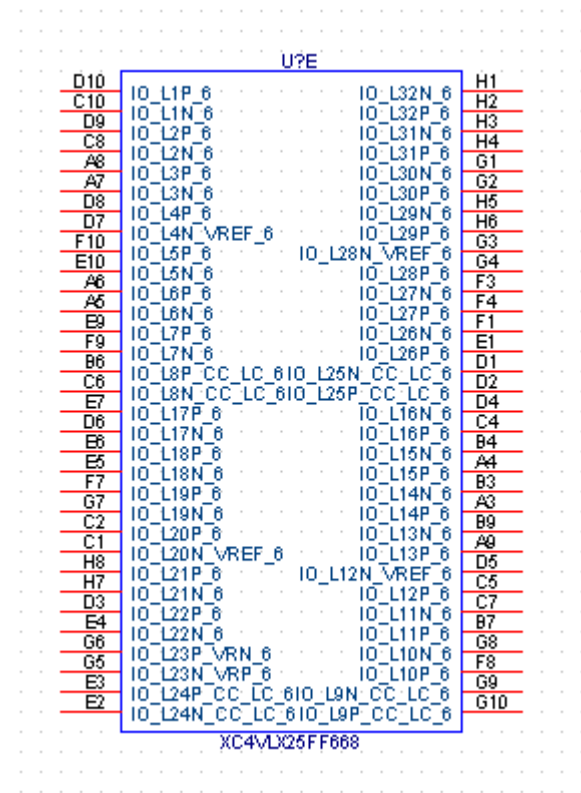
U?C	
B15	IO_L1P_GC_CC_LC_3
B14	IO_L1N_GC_CC_LC_3
A12	IO_L2P_GC_VRN_LC_3
A11	IO_L2N_GC_VRP_LC_3
C15	IO_L3P_GC_LC_3
C14	IO_L3N_GC_LC_3
B13	IO_L4P_GC_LC_3
B12	IO_L4N_GC_VREF_LC_3
A16	IO_L5P_GC_LC_3
A15	IO_L5N_GC_LC_3
A10	IO_L6P_GC_LC_3
B10	IO_L6N_GC_LC_3
B17	IO_L7P_GC_LC_3
A17	IO_L7N_GC_LC_3
C13	IO_L8P_GC_LC_3
C12	IO_L8N_GC_LC_3
AF12	IO_L1P_GC_LC_4
AE12	IO_L1N_GC_LC_4
AC10	IO_L2P_GC_LC_4
AB10	IO_L2N_GC_LC_4
AB17	IO_L3P_GC_LC_4
AC17	IO_L3N_GC_LC_4
AF11	IO_L4P_GC_LC_4
AF10	IO_L4N_GC_VREF_LC_4
AE14	IO_L5P_GC_LC_4
AE13	IO_L5N_GC_LC_4
AE10	IO_L6P_GC_LC_4
AD10	IO_L6N_GC_LC_4
AD17	IO_L7P_GC_VRN_LC_4
AD16	IO_L7N_GC_VRP_LC_4
AD12	IO_L8P_GC_CC_LC_4
AD11	IO_L8N_GC_CC_LC_4

XC4VLX25FF668

4. I/O Bank 5



5. I/O Bank 6

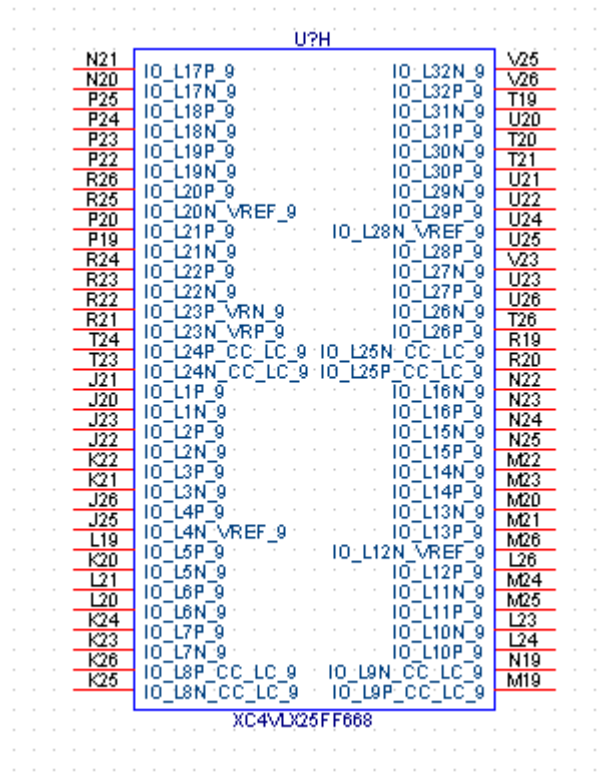


6. I/O Bank 7

U?F			
AD19		AC24	
AC19	IO_L25P_CC_SM7_LC_7IO_L16N_7	AC23	
AA19	IO_L25N_CC_SM7_LC_7IO_L16P_7	AD23	
AA20	IO_L26P_SM6_7	IO_L15N_7	AD22
Y17	IO_L26N_SM6_7	IO_L15P_7	AA23
AA17	IO_L27P_SM5_7	IO_L14N_7	AB23
AB20	IO_L27N_SM5_7	IO_L14P_7	AB22
AC20	IO_L28P_7	IO_L13N_7	AC22
AC18	IO_L28N_VREF_7	IO_L13P_7	Y23
AB18	IO_L29P_SM4_7	IO_L12N_VREF_7	Y22
AF21	IO_L29N_SM4_7	IO_L12P_7	AD26
AF22	IO_L30P_SM3_7	IO_L11N_7	AD25
AF18	IO_L30N_SM3_7	IO_L11P_7	AA26
AE18	IO_L31P_SM2_7	IO_L10N_7	AB26
AE21	IO_L31N_SM2_7	IO_L10P_7	AC26
AD21	IO_L32P_SM1_7	IO_L9N_CC_LC_7	AC25
AF19	IO_L32N_SM1_7	IO_L9P_CC_LC_7	Y24
AF20	IO_L17P_7	IO_L8N_CC_LC_7	AA24
Y19	IO_L17N_7	IO_L8P_CC_LC_7	AB25
W19	IO_L18P_7	IO_L7N_7	AB24
AF23	IO_L18N_7	IO_L7P_7	Y26
AE23	IO_L19P_7	IO_L6N_7	Y25
Y20	IO_L19N_7	IO_L6P_7	V20
Y21	IO_L20P_7	IO_L5N_7	W20
AA18	IO_L20N_VREF_7	IO_L5P_7	W24
Y18	IO_L21P_7	IO_L4N_VREF_7	W23
AF24	IO_L21N_7	IO_L4P_7	W22
AE24	IO_L22P_7	IO_L3N_7	W21
AE20	IO_L22N_7	IO_L3P_7	W26
AD20	IO_L23P_VRN_7	IO_L2N_7	W25
AC21	IO_L23N_VRP_7	IO_L2P_7	V22
AB21	IO_L24P_CC_LC_7	IO_L1N_7	V21
	IO_L24N_CC_LC_7	IO_L1P_7	

XC4VLX25FF668

8. I/O Bank 9



9. I/O Bank 10

U21			
N7		U5	
M7	IO_L17P_10	IO_L32N_10	U6
P5	IO_L17N_10	IO_L32P_10	U7
P4	IO_L18P_10	IO_L31N_10	T8
P8	IO_L18N_10	IO_L31P_10	V1
N8	IO_L19P_10	IO_L30N_10	V2
R4	IO_L19N_10	IO_L30P_10	U4
R3	IO_L20P_10	IO_L29N_10	V4
P7	IO_L20N_VREF_10	IO_L29P_10	U2
P6	IO_L21P_10	IO_L28N_VREF_10	U3
R2	IO_L21N_10	IO_L28P_10	T6
R1	IO_L22P_10	IO_L27N_10	T7
R6	IO_L22N_10	IO_L27P_10	T3
R5	IO_L23P_VRN_10	IO_L26N_10	T4
U1	IO_L23N_VRP_10	IO_L26P_10	R7
T1	IO_L24P_CC_LC_10	IO_L25N_CC_LC_10	R8
J7	IO_L24N_CC_LC_10	IO_L25P_CC_LC_10	P2
J6	IO_L1P_10	IO_L16N_10	P3
J5	IO_L1N_10	IO_L16P_10	N4
J4	IO_L2P_10	IO_L15N_10	N5
K7	IO_L2N_10	IO_L15P_10	N2
K6	IO_L3P_10	IO_L14N_10	N3
J2	IO_L3N_10	IO_L14P_10	M5
J1	IO_L4P_10	IO_L13N_10	M6
L7	IO_L4N_VREF_10	IO_L13P_10	M3
L6	IO_L5P_10	IO_L12N_VREF_10	M4
K5	IO_L5N_10	IO_L12P_10	M1
K4	IO_L6P_10	IO_L11N_10	M2
K3	IO_L6N_10	IO_L11P_10	K1
K2	IO_L7P_10	IO_L10N_10	L1
L4	IO_L7N_10	IO_L10P_10	L8
L3	IO_L8P_CC_LC_10	IO_L9N_CC_LC_10	M8
	IO_L8N_CC_LC_10	IO_L9P_CC_LC_10	

XC4VLX25FF668

10. GND

U?J			
B1	GND	GND	AE26
P1	GND	GND	N26
AE1	GND	GND	B26
A2	GND	GND	AF25
B2	GND	GND	AE25
AE2	GND	GND	B25
AF2	GND	GND	A25
C3	GND	GND	AD24
J3	GND	GND	V24
V3	GND	GND	J24
F6	GND	GND	AA21
N6	GND	GND	P21
AA6	GND	GND	F21
C9	GND	GND	AD18
AD9	GND	GND	C18
M10	GND	GND	R17
N10	GND	GND	P17
P10	GND	GND	N17
R10	GND	GND	M17
K11	GND	GND	U16
M11	GND	GND	R16
N11	GND	GND	P16
P11	GND	GND	N16
R11	GND	GND	M16
U11	GND	GND	K16
E12	GND	GND	AB15
K12	GND	GND	U15
L12	GND	GND	T15
N12	GND	GND	P15
P12	GND	GND	N15
T12	GND	GND	L15
U12	GND	GND	K15
AB12	GND	GND	E15
A13	GND	GND	AF14
J13	GND	GND	V14
K13	GND	GND	U14
L13	GND	GND	T14
M13	GND	GND	R14
N13	GND	GND	P14
P13	GND	GND	N14
R13	GND	GND	M14
T13	GND	GND	L14
U13	GND	GND	K14
V13	GND	GND	J14
AF13	GND	GND	A14

XC4VLX25FF668

11. Power 1

U?K	
M9	VCCAUX
N9	VCCAUX
P9	VCCAUX
W10	VCCAUX
H11	VCCAUX
W11	VCCAUX
J12	VCCAUX
V15	VCCAUX
H16	VCCAUX
W16	VCCAUX
H17	VCCAUX
N18	VCCAUX
P18	VCCAUX
R18	VCCAUX
K9	VCCINT
L9	VCCINT
T9	VCCINT
U9	VCCINT
J10	VCCINT
K10	VCCINT
L10	VCCINT
T10	VCCINT
U10	VCCINT
V10	VCCINT
J11	VCCINT
L11	VCCINT
T11	VCCINT
V11	VCCINT
M12	VCCINT
R12	VCCINT
M15	VCCINT
R15	VCCINT
J16	VCCINT
L16	VCCINT
T16	VCCINT
V16	VCCINT
J17	VCCINT
K17	VCCINT
L17	VCCINT
T17	VCCINT
U17	VCCINT
V17	VCCINT
K18	VCCINT
L18	VCCINT
T18	VCCINT
U18	VCCINT

XC4VLX25FF668

12. Power 2

U?L		
V12	VCC0_0	VCC0_10
J15	VCC0_0	VCC0_10
E11	VCC0_1	VCC0_10
E16	VCC0_1	VCC0_10
AB11	VCC0_2	VCC0_10
AB16	VCC0_2	VCC0_10
B11	VCC0_3	VCC0_10
B16	VCC0_3	VCC0_10
AE11	VCC0_4	VCC0_9
AD15	VCC0_4	VCC0_9
H18	VCC0_5	VCC0_9
B19	VCC0_5	VCC0_9
E19	VCC0_5	VCC0_9
H19	VCC0_5	VCC0_9
J19	VCC0_5	VCC0_9
B22	VCC0_5	VCC0_9
F22	VCC0_5	VCC0_9
F25	VCC0_5	VCC0_8
F2	VCC0_5	VCC0_8
B5	VCC0_6	VCC0_8
F5	VCC0_6	VCC0_8
B8	VCC0_6	VCC0_8
E8	VCC0_6	VCC0_8
J8	VCC0_6	VCC0_8
H9	VCC0_6	VCC0_8
H10	VCC0_6	VCC0_7
W17	VCC0_7	VCC0_7
W18	VCC0_7	VCC0_7
V19	VCC0_7	VCC0_7
		R9
		U8
		K8
		T5
		L5
		T2
		L2
		N1
		P26
		T25
		L25
		T22
		L22
		U19
		K19
		M18
		W9
		AE8
		AB8
		W8
		V8
		AE5
		AA6
		AA2
		AA25
		AE22
		AA22
		AE19
		AB19

XC4VLX25FF668

13. Revision History

	Revision	Date	By	Comments
1	1.01	Jan 31, 2007	MD	Initial Release