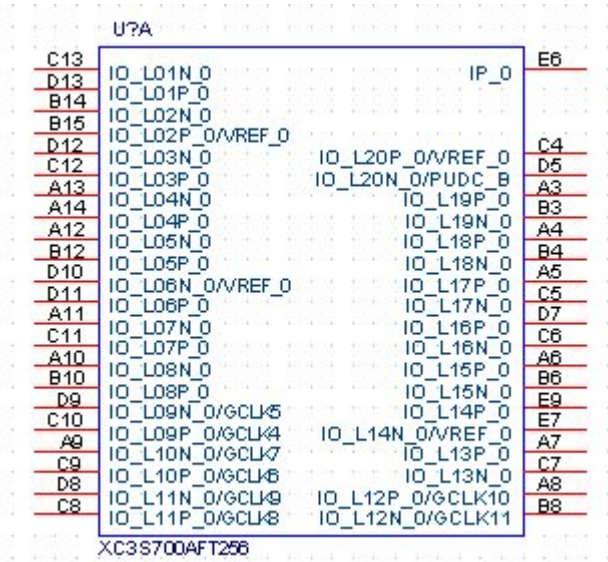


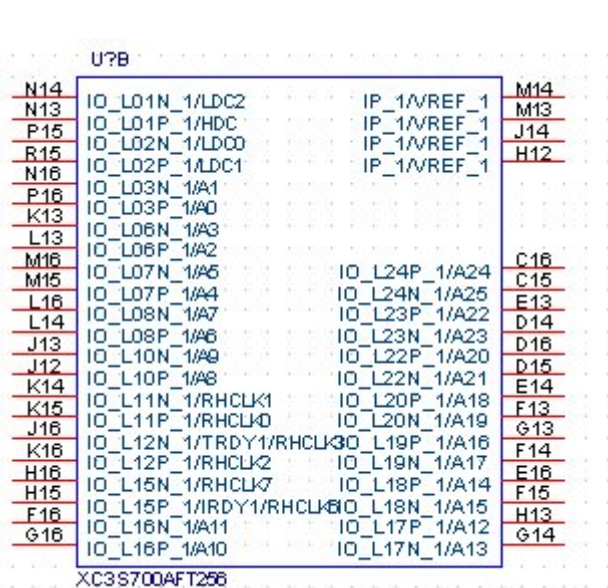
Schematic Symbol for XC3S700AFT256

The symbol consists of 6 heterogeneous parts, each of them listed below:

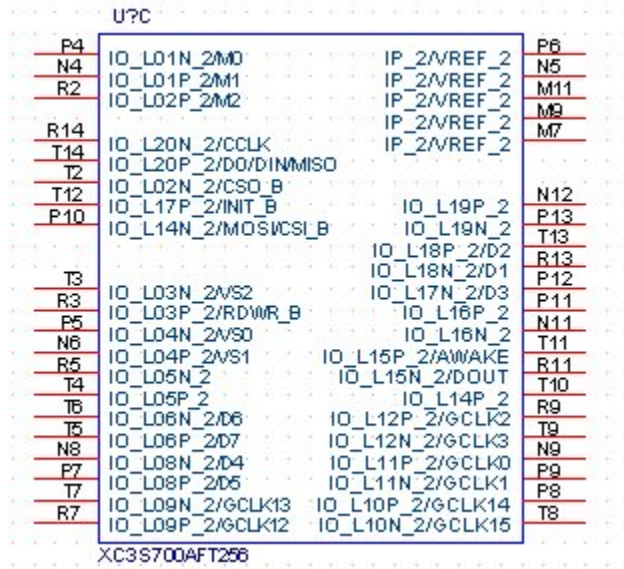
1. I/O Bank 0



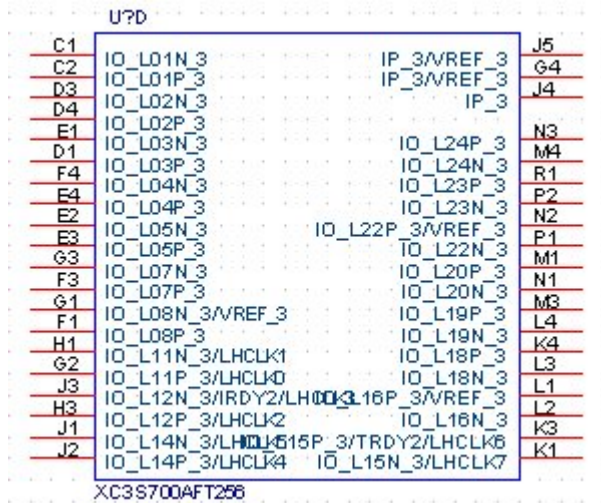
2. I/O Bank 1



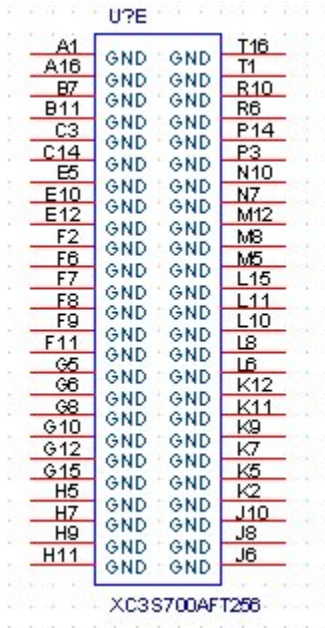
3. I/O Bank2 (Contains the Programming Interface)



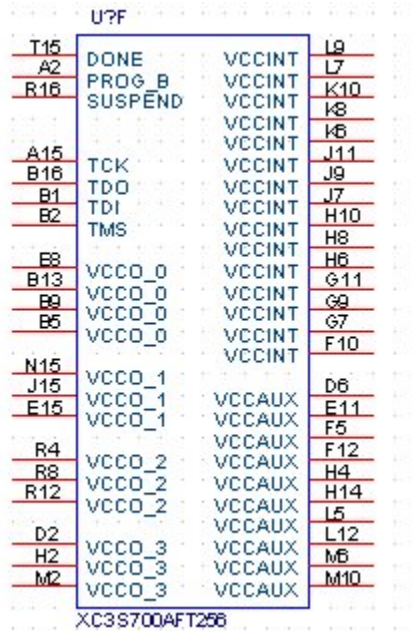
4. I/O Bank 3



5. GND



6. Power, JTAG and Power Management



Document Revision History

Revision	Date	By	Comments	
1	1.00	Feb 5, 09	LD	Initial Release