

Schematic Symbol for XC3S50A/XC3S50AN TQ144

The symbol consists of 3 heterogeneous parts, each of them listed below:

1. I/O Banks 0 and 1

U7A			
138	CGND	IP_IVREF_1	97
142	K_0	IP_IVREF_1	80
111	K_LO1M_0	K_L11P_1	103
110	K_LO1P_0	K_L11M_1	105
113	K_LO2M_0	K_L10P_1	102
112	K_LO2P_OVREF_0	K_L10M_1	104
117	K_LO3M_0	K_LO3P_1	99
115	K_LO3P_0	K_LO3M_1	101
116	K_LO4M_0	K_LO3P_1	96
114	K_LO4P_0	K_LO3M_1	98
121	K_LO5M_0		
120	K_LO5P_0		
126	K_LO6M_OVGLK5	K_LO7P_1/TRDY1/RHCLK5	91
124	K_LO6P_OVGLK4	K_LO7M_1/RHCLK7	93
127	K_LO7M_OVGLK7	K_LO6P_1/RHCLK4	90
125	K_LO7P_OVGLK6	K_LO6M_1/RHCLK5	92
131	K_LO8M_OVGLK9	K_LO5P_1/RHCLK2	87
129	K_LO8P_OVGLK8	K_LO5M_1/TRDY1/RHCLK3	88
132	K_LO9M_OVGLK11	K_LO4P_1/RHCLK0	83
130	K_LO9P_OVGLK10	K_LO4M_1/RHCLK1	85
135	K_L10M_0		
134	K_L10P_0	K_LO3P_1	82
139	K_L11M_0	K_LO3M_1	84
138	K_L11P_0		
143	K_L12M_O/PDUC_B	K_LO2P_1/LDC1	77
141	K_L12P_OVREF_0	K_LO2M_1/LDC0	76
140	K_L12P_OVREF_0	K_LO1P_1/RDC	78
123	IP_0	K_LO1M_1/LDC2	79
	IP_OVREF_0	K_1	

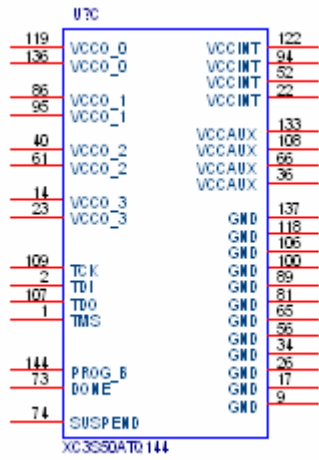
XC3S50ATO144

2. I/O Banks 2 and 3

U7B			
38	K_LO1M_2/M0	IP_L13P_3	33
37	K_LO1P_2/M1	IP_L13M_3/VRREF_3	35
39	K_LO2P_2/M2	K_L9P_3	24
		K_L9M_3	25
41	K_LO2M_2/C50_B	K_L12P_3	31
44	K_LO3M_2/VS1	K_L12M_3	32
42	K_LO3P_2/PDWR_B	K_L11P_3	28
45	K_LO4M_2/VS0	K_L11M_3	30
43	K_LO4P_2/VS2	K_L10P_3	27
46	K_LO5M_2/D7	K_L10M_3	29
46	K_LO5P_2		
49	K_LO6M_2/D6		
47	K_LO6P_2		
51	K_LO7M_2/D4		
50	K_LO7P_2/D5	K_LO8P_3/TRDY2/LHCLK6	19
		K_LO8M_3/LHCLK7	21
55	K_LO8M_2/GCLK15	K_LO7P_3/LHCLK4	18
54	K_LO8P_2/GCLK14	K_LO7M_3/LHCLK5	20
59	K_LO9M_2/GCLK1	K_LO6P_3/LHCLK2	15
57	K_LO9P_2/GCLK0	K_LO6M_3/TRDY2/LHCLK3	16
60	K_LO10M_2/GCLK3	K_LO5P_3/LHCLK0	12
58	K_LO10P_2/GCLK2	K_LO5M_3/LHCLK1	13
64			
63	K_L11M_2/DOUT		
68	K_L11P_2/AWAKE		
68	K_L12M_2/D3		
69	K_L13P_2/D2		
70	K_L14P_2/D1	K_LO4P_3	10
53	IP_2/VRREF_2	K_LO4M_3/VRREF_3	11
		K_LO3P_3	7
71		K_LO3M_3	8
62	K_L13M_2/D0/DIMMISO	K_LO2P_3	3
67	K_L12M_2/SIC51_B	K_LO2M_3	5
72	K_L12P_2/INIT_B	K_LO1P_3	4
		K_LO1M_3	6

XC3S50ATO144

3. Power and JTAG and Configuration



4. Document Revision History

Revision	Date	By	Comments	
1	1.00	Dec 5, 07	LD	Initial Release