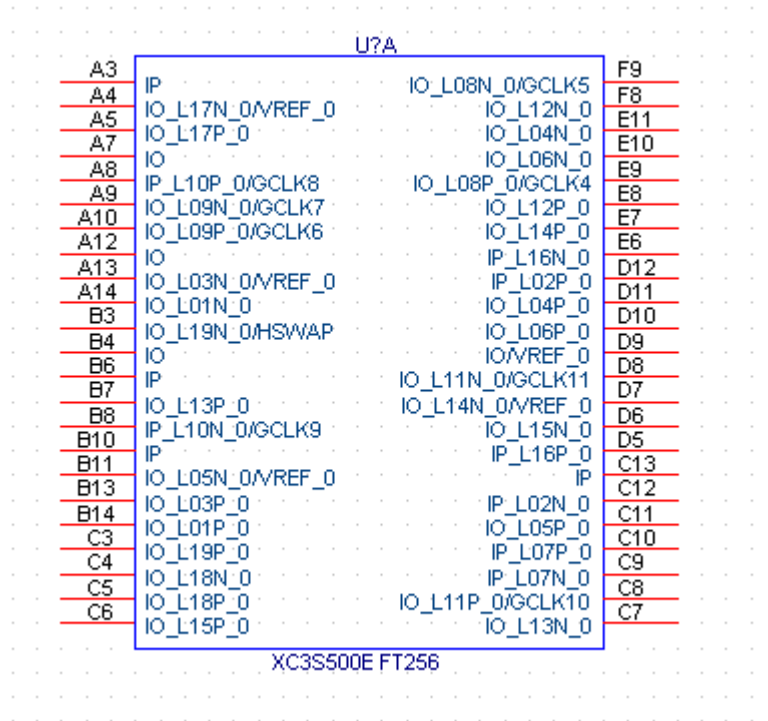


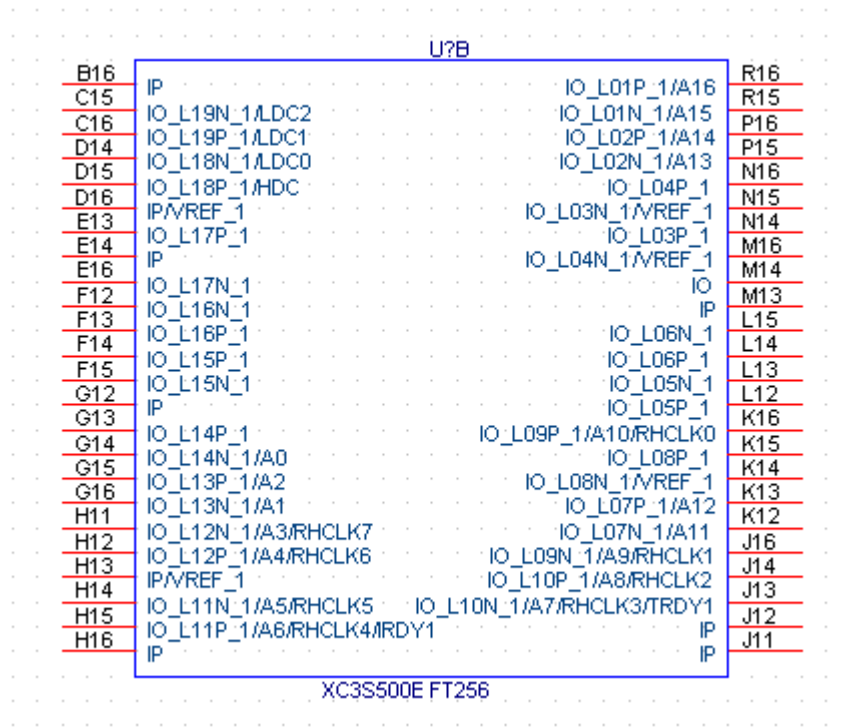
## Schematic Symbol for XC3S500E FT256

The Schematic symbol consists of 6 heterogeneous parts that are listed below:

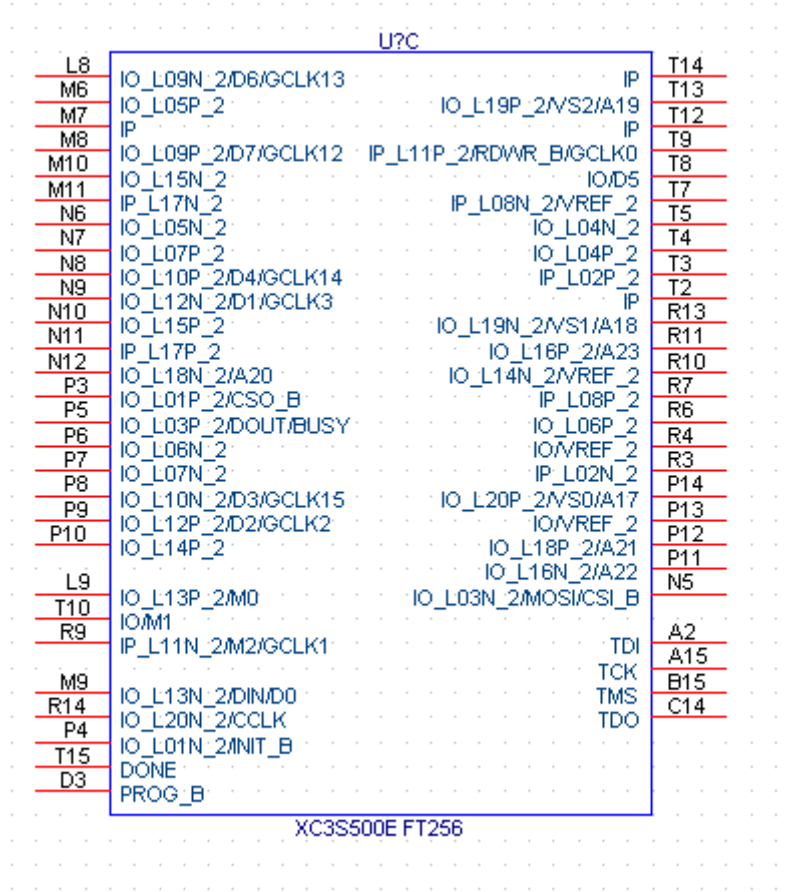
### 1. IO bank 0



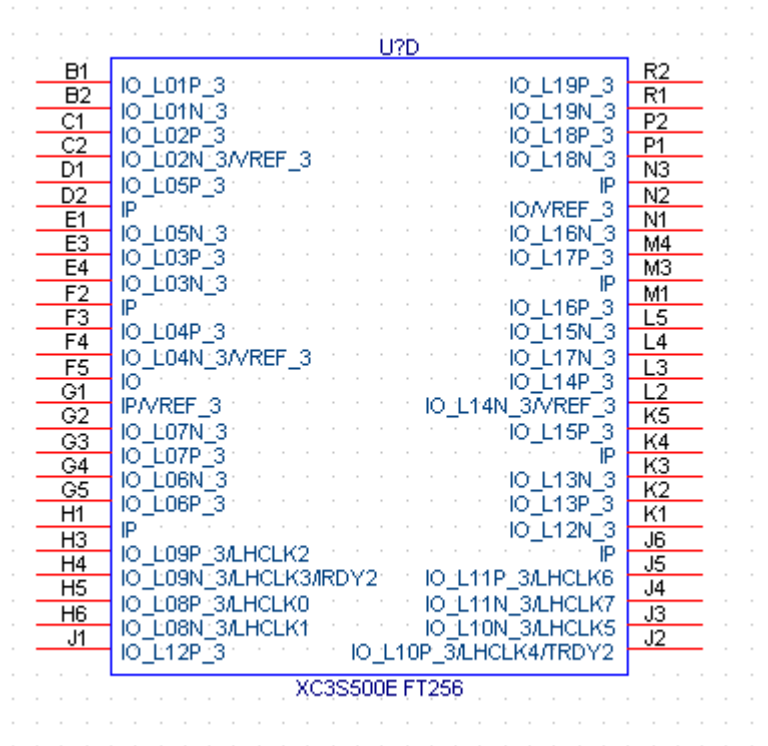
## 2. IO bank 1



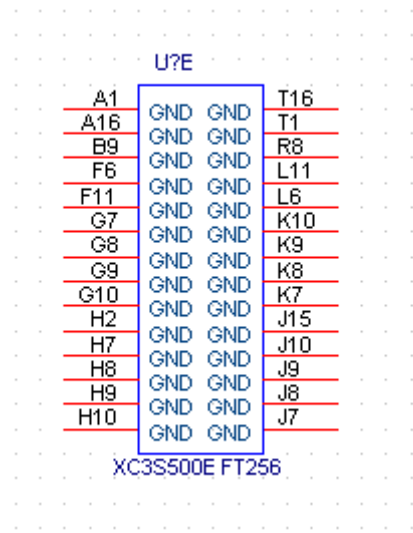
### 3. IO bank 2/Programming Interface



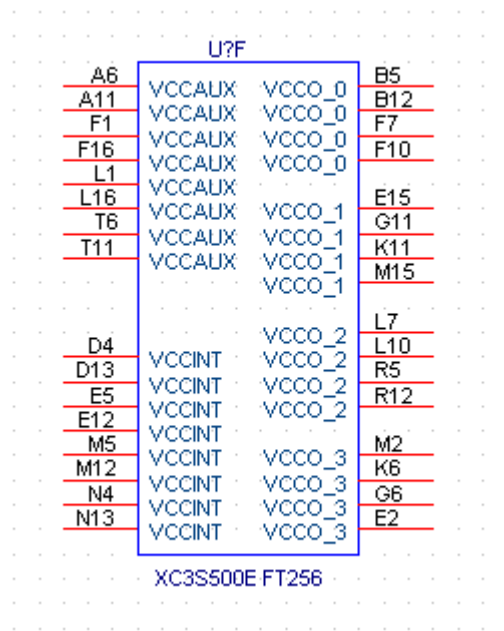
#### 4. IO bank 3



## 5. Ground



## 6. Power



## 7.

	Revision	Date	By	Comments
1	1.01	Feb 20, 2007	MD	Initial Release