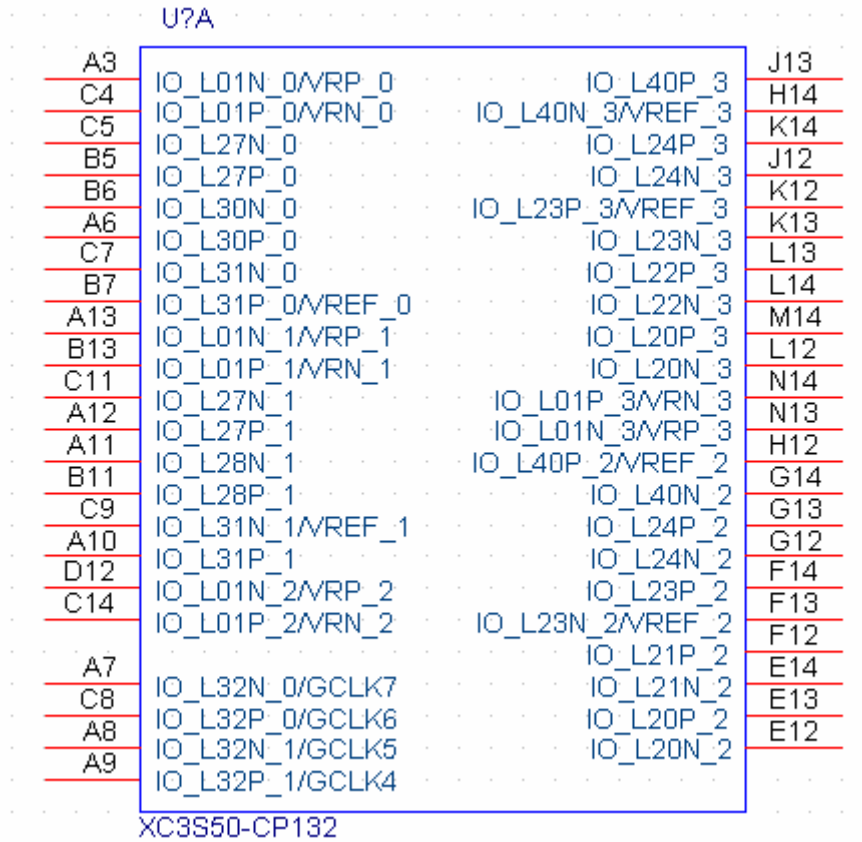


Schematic Symbol for XC3S50-CP132

The symbol consists of 3 heterogeneous parts, each of them listed below:

1. I/O Banks 0 to 3



2. I/O Banks 4 to 7

| U7B | | | |
|-----|---------------------|------------------|----|
| N12 | IO/VREF_4 | IO_L40P_7 | F2 |
| P12 | IO_L01N_4/VRP_4 | IO_L40N_7/VREF_7 | G1 |
| M11 | IO_L01P_4/VRN_4 | IO_L24P_7 | E1 |
| N10 | IO_L27P_4/D1 | IO_L24N_7 | F3 |
| N9 | IO_L30N_4/D2 | IO_L23P_7 | E3 |
| P9 | IO_L30P_4/D3 | IO_L23N_7 | E2 |
| N8 | IO_L31P_4/DOUT/BUSY | IO_L22P_7 | D2 |
| P2 | IO_L01N_5/RDWR_B | IO_L22N_7 | D1 |
| N2 | IO_L01P_5/CS_B | IO_L21P_7 | D3 |
| M4 | IO_L27N_5/VREF_5 | IO_L21N_7 | C1 |
| P3 | IO_L27P_5 | IO_L01P_7/VRN_7 | B1 |
| P4 | IO_L28N_5/D6 | IO_L01N_7/VRP_7 | B2 |
| N4 | IO_L28P_5/D7 | IO_L40P_6/VREF_6 | G3 |
| M6 | IO_L31N_5/D4 | IO_L40N_6 | H1 |
| P5 | IO_L31P_5/D5 | IO_L24P_6 | H2 |
| L3 | IO_L01N_6/VRP_6 | IO_L24N_6/VREF_6 | H3 |
| | | IO_L23P_6 | J1 |
| | | IO_L23N_6 | J2 |
| | | IO_L22P_6 | J3 |
| P8 | | IO_L22N_6 | K1 |
| M7 | IO_L32N_4/GCLK1 | IO_L20P_6 | K2 |
| P7 | IO_L32P_4/GCLK0 | IO_L20N_6 | K3 |
| P6 | IO_L32N_5/GCLK3 | IO_L01P_6/VRN_6 | M1 |
| | IO_L32P_5/GCLK2 | | |

XC3S50-CP132

3. Power and JTAG and Configuration

| | | | | |
|-----|-------------|------------------|----------|-----|
| N3 | VCCO_BOTTOM | | TMS | A14 |
| N7 | VCCO_BOTTOM | | TDO | C13 |
| P11 | VCCO_BOTTOM | | TDI | A1 |
| C3 | VCCO_BOTTOM | | TCK | B14 |
| G2 | VCCO_LEFT | | | |
| L2 | VCCO_LEFT | | DONE | P13 |
| D13 | VCCO_LEFT | | CCLK | P14 |
| H13 | VCCO_RIGHT | IO_L27N_4/DIN/D0 | | M10 |
| M12 | VCCO_RIGHT | IO_L31N_4/INIT_B | | M8 |
| A4 | VCCO_RIGHT | | | |
| B12 | VCCO_TOP | | | |
| B8 | VCCO_TOP | | PROG_B | A2 |
| | VCCO_TOP | | HSWAP_EN | B3 |
| A5 | VCCAUX | | | |
| C10 | VCCAUX | | GND | N6 |
| M5 | VCCAUX | | GND | N11 |
| P10 | VCCAUX | | GND | M3 |
| | VCCAUX | | GND | M13 |
| B10 | VCCINT | | GND | L1 |
| C6 | VCCINT | | GND | J14 |
| M9 | VCCINT | | GND | F1 |
| N5 | VCCINT | | GND | D14 |
| | VCCINT | | GND | C2 |
| N1 | M0 | | GND | C12 |
| M2 | M1 | | GND | B9 |
| P1 | M2 | | GND | B4 |

4. Document Revision History

| | Revision | Date | By | Comments |
|---|----------|------------|----|-----------------|
| 1 | 1.00 | Dec 15, 07 | AC | Initial Release |