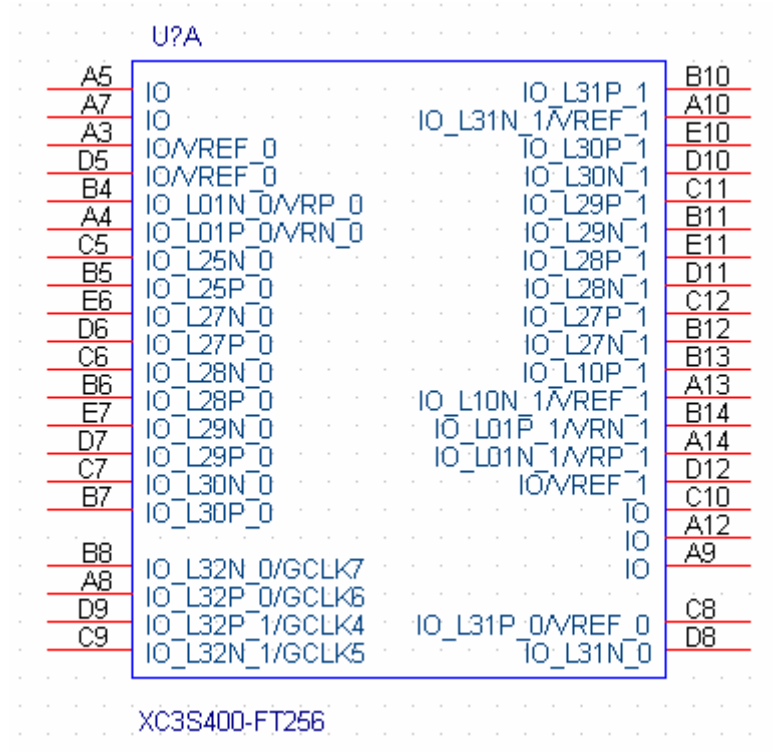


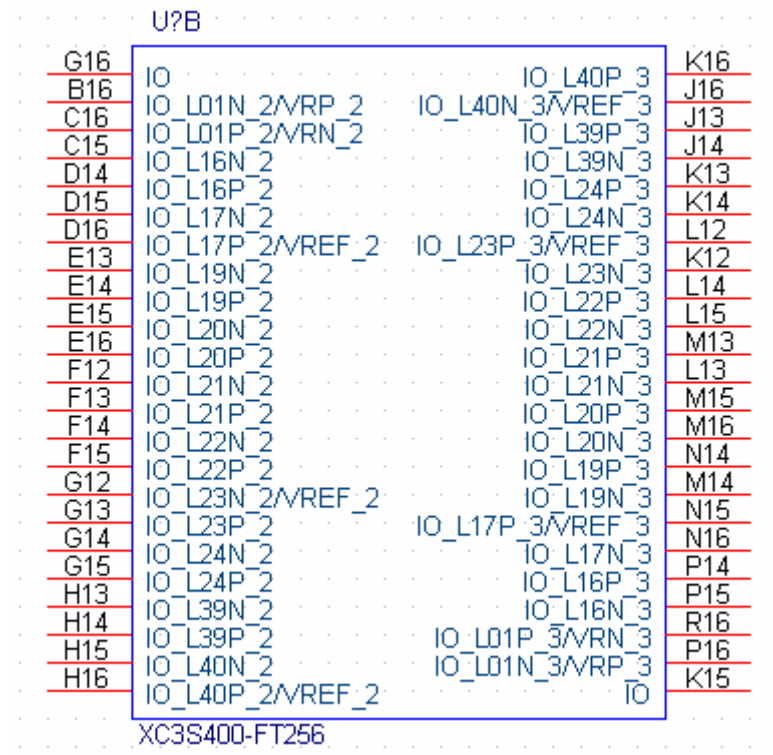
Schematic Symbol for XC3S400-FT256

The symbol consists of 6 heterogeneous parts, each of them listed below:

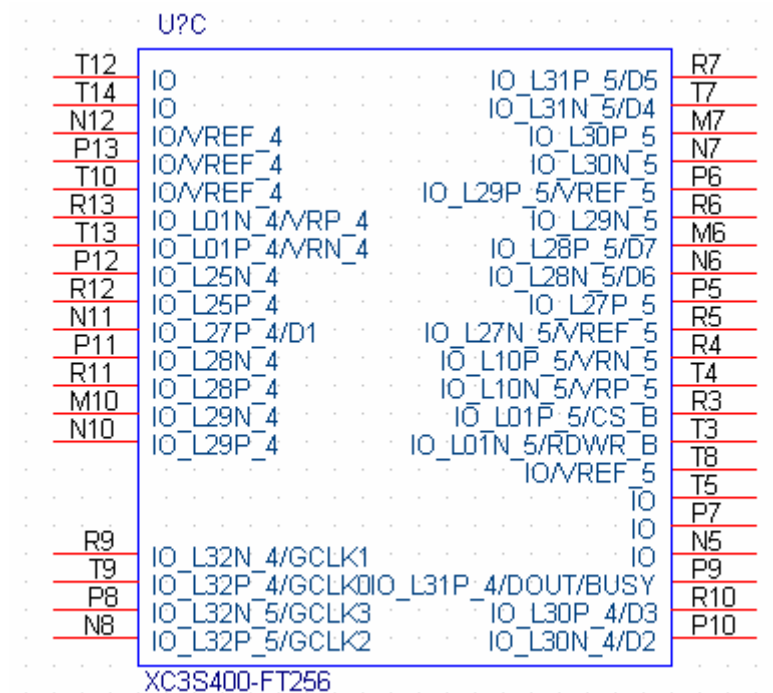
1. I/O Banks 0 and 1



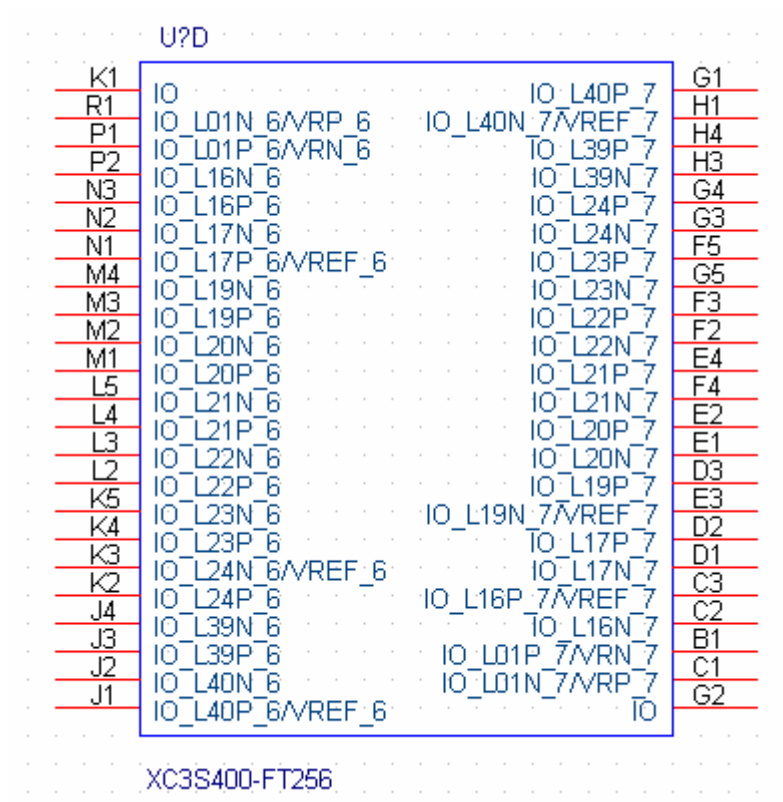
2. I/O Banks 2 and 3



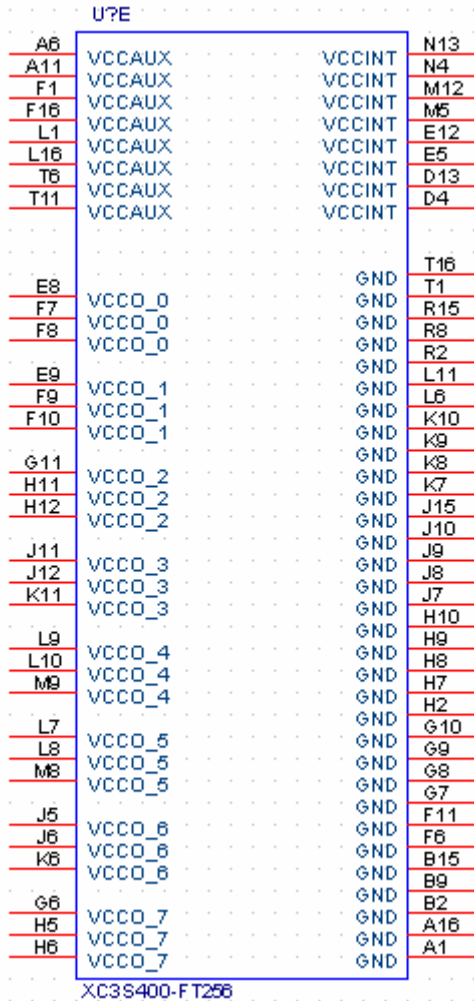
3. I/O Banks 4 and 5



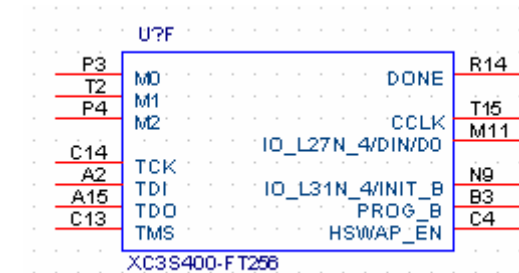
4. I/O Banks 6 and 7



5. Power and Ground



6. JTAG and Configuration



7. Document Revision History

Revision	Date	By	Comments	
1	1.00	Dec 27, 07	AC	Initial Release