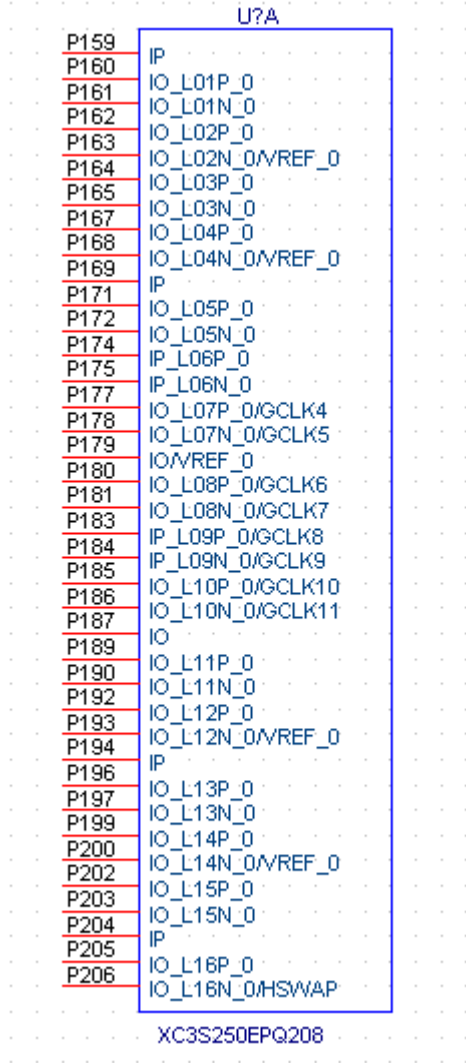


Schematic Symbol for XC3S250EPQ208

The Schematic symbol consists of 6 heterogeneous parts that are listed below:

1. IO bank 0

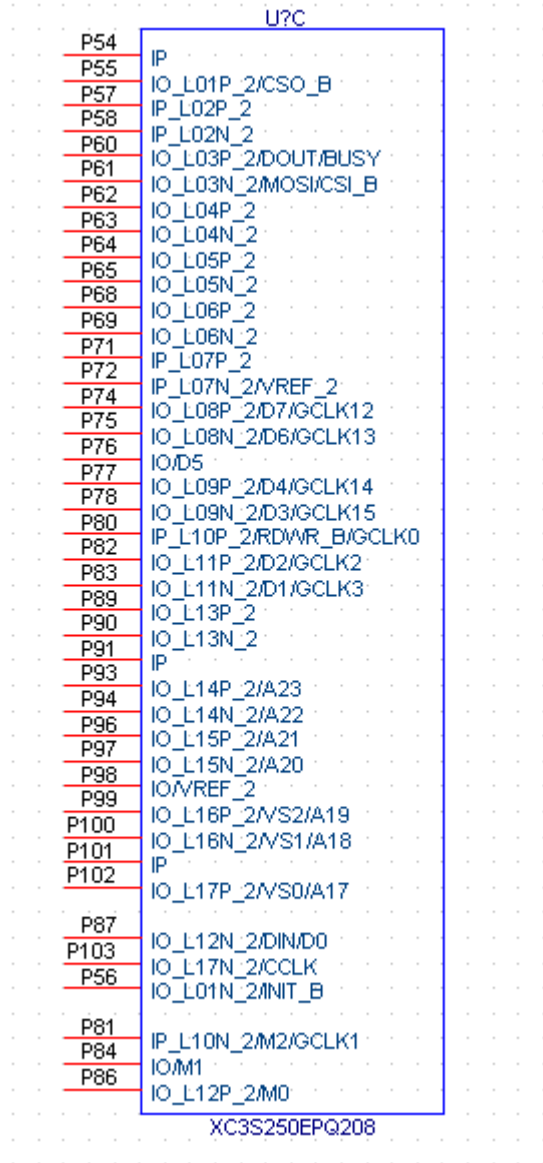


2. IO bank 1

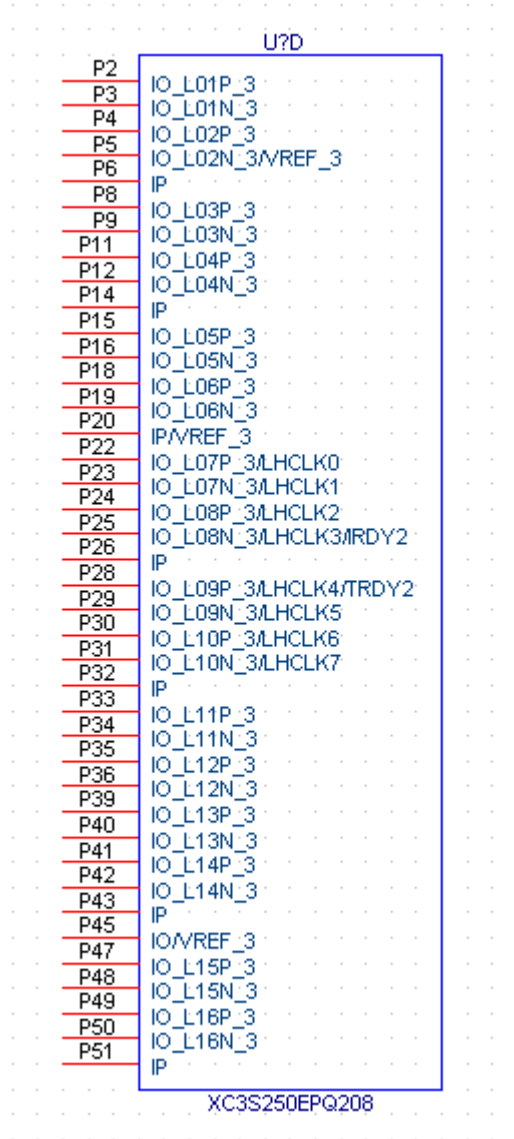
U?B	
P106	IO_L01P_1/A16
P107	IO_L01N_1/A15
P108	IO_L02P_1/A14
P109	IO_L02N_1/A13
P110	IP
P112	IO_L03P_1
P113	IO_L03N_1/VREF_1
P115	IO_L04P_1
P116	IO_L04N_1
P118	IP
P119	IO_L05P_1/A12
P120	IO_L05N_1/A11
P122	IO_L06P_1
P123	IO_L06N_1/VREF_1
P124	IP
P126	IO_L07P_1/A10/RHCLK0
P127	IO_L07N_1/A9/RHCLK1
P128	IO_L08P_1/A8/RHCLK2
P129	IO_L08N_1/A7/RHCLK3/TRDY1
P130	IP
P132	IO_L09P_1/A6/RHCLK4/MRDY1
P133	IO_L09N_1/A5/RHCLK5
P134	IO_L10P_1/A4/RHCLK6
P135	IO_L10N_1/A3/RHCLK7
P136	IP/VREF_1
P137	IO_L11P_1/A2
P138	IO_L11N_1/A1
P139	IO_L12P_1
P140	IO_L12N_1/A0
P142	IP
P144	IO_L13P_1
P145	IO_L13N_1
P146	IO_L14P_1
P147	IO_L14N_1
P148	IP
P150	IO_L15P_1/HDC
P151	IO_L15N_1/LDC0
P152	IO_L16P_1/LDC1
P153	IO_L16N_1/LDC2
P154	IP

XC3S250EPQ208

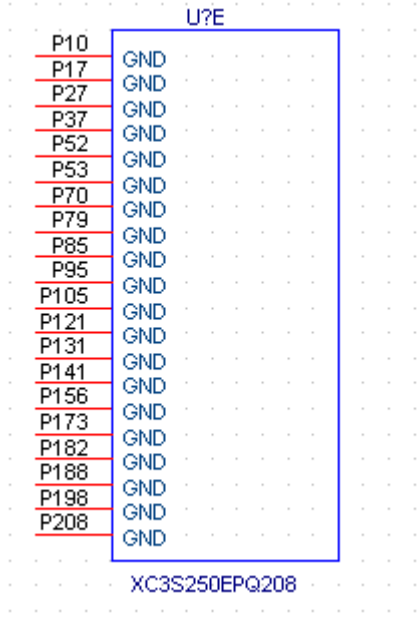
3. IO bank 2/Programming Interface



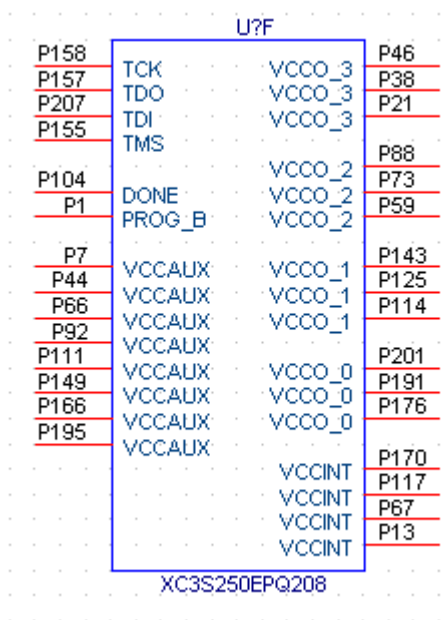
4. IO bank 3



5. Ground Power/ Programming



6. Power/ Programming



7. Revision History

	Revision	Date	By	Comments
1	1.01	March 8, 2007	MD	Initial Release