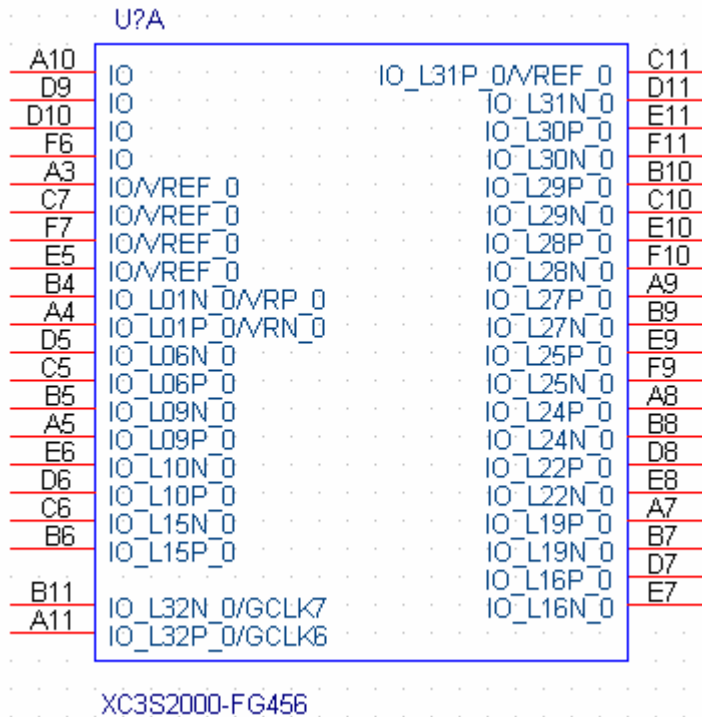


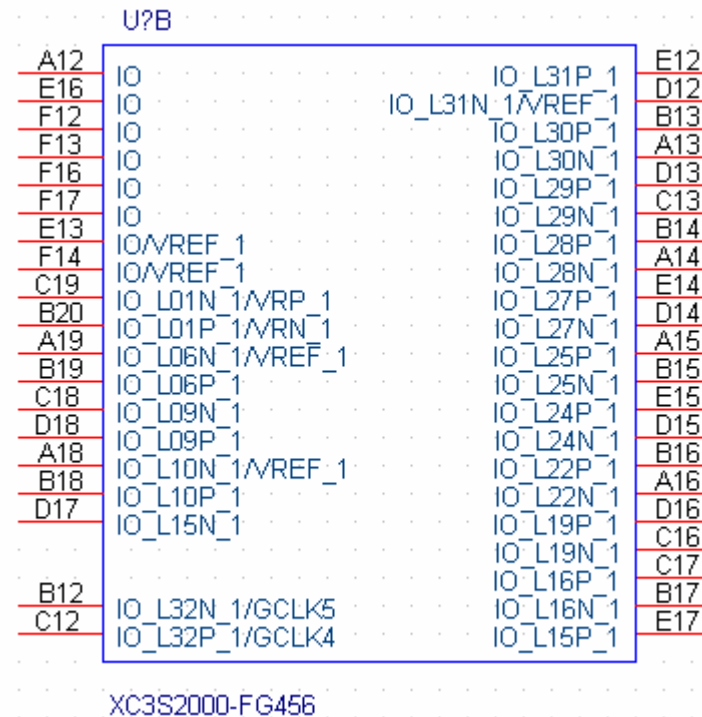
Schematic Symbol for XC3S2000-FG456

The symbol consists of 11 heterogeneous parts, each of them listed below:

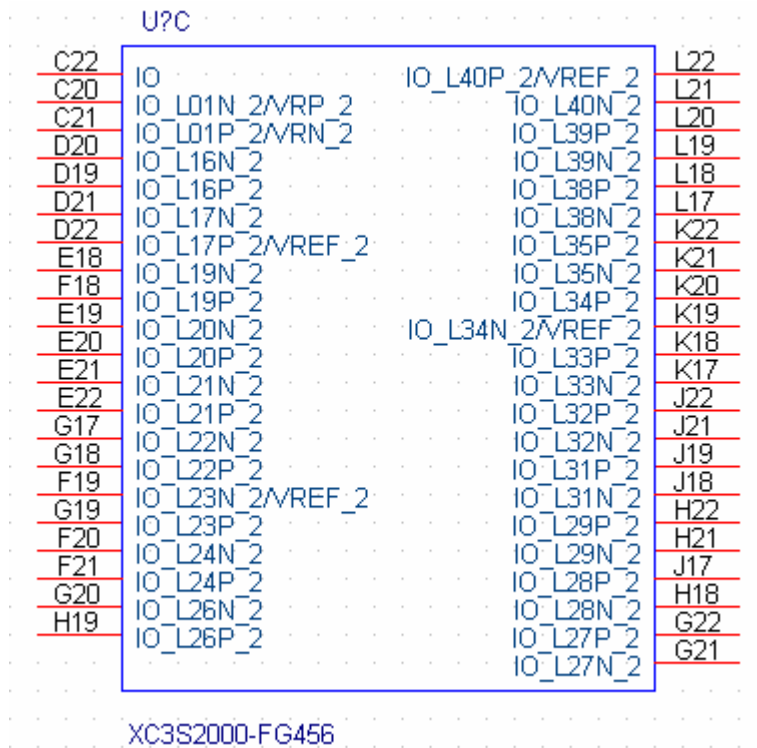
1. I/O Bank 0



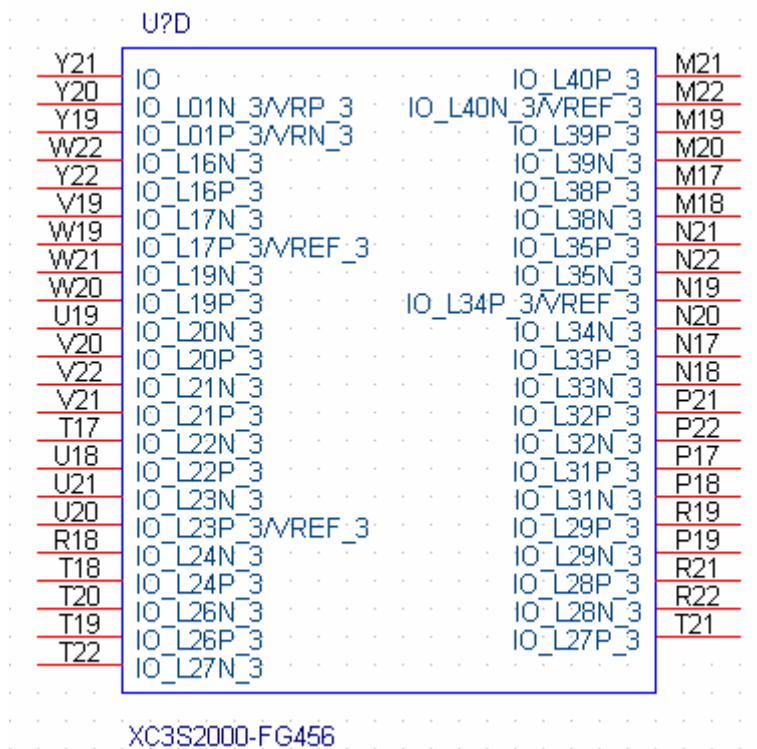
2. I/O Bank 1



3. I/O Bank 2



4. I/O Bank 3



5. I/O Bank 4

U?E

U16			Y12
U17	IO	IO_L31P_4/DOUT/BUSY	V12
W13	IO	IO_L30P_4/D3	U12
W14	IO	IO_L30N_4/D2	AA13
V18	IO	IO_L29P_4	Y13
Y16	IO/VREF_4	IO_L29N_4	V13
AB13	IO/VREF_4	IO_L28P_4	U13
AA20	IO/VREF_4	IO_L28N_4	AB14
AB20	IO_L01N_4/VRP_4	IO_L27P_4/D1	
AA19	IO_L01P_4/VRN_4		
AB19	IO_L05N_4		V14
W18	IO_L05P_4	IO_L25P_4	U14
Y18	IO_L06N_4/VREF_4	IO_L25N_4	AB15
AA18	IO_L06P_4	IO_L24P_4	AA15
AB18	IO_L09N_4	IO_L24N_4	W15
V17	IO_L09P_4	IO_L22P_4	V15
W17	IO_L10N_4	IO_L22N_4/VREF_4	AB16
Y17	IO_L10P_4	IO_L19P_4	AA16
	IO_L15N_4	IO_L19N_4	W16
		IO_L16P_4	V16
AA12	IO_L32N_4/GCLK1	IO_L16N_4	AA17
AB12	IO_L32P_4/GCLKD	IO_L15P_4	

XC3S2000-FG456

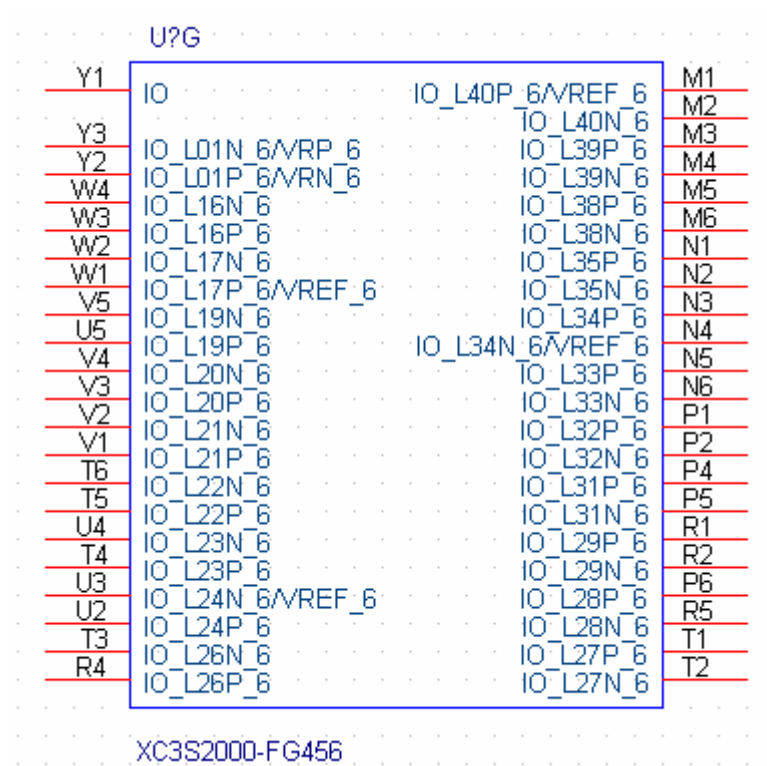
6. I/O Bank 5

U?F

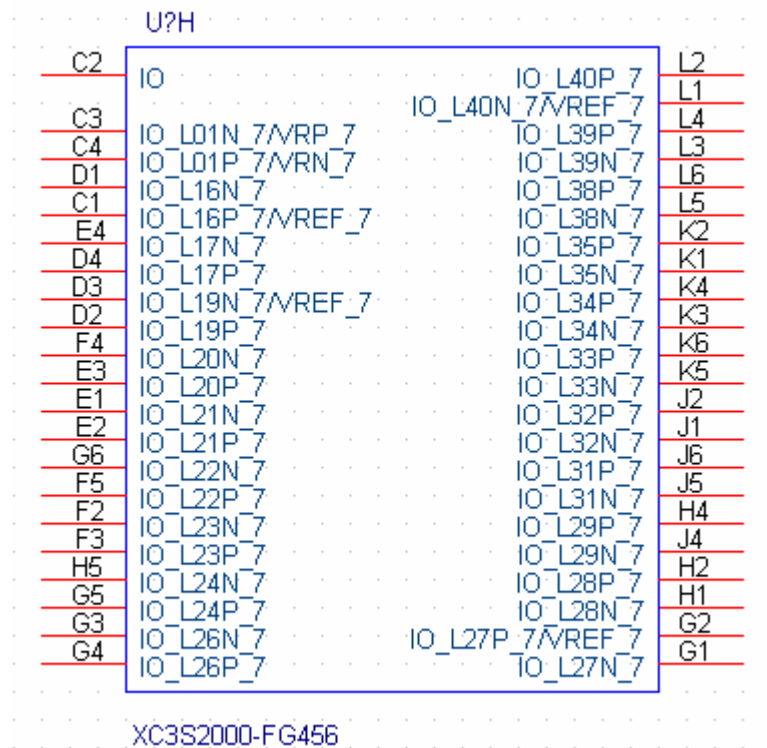
U7	IO	IO_L31P_5/D5	V11
U10	IO	IO_L31N_5/D4	W11
U11	IO	IO_L30P_5	AA10
V7	IO	IO_L30N_5	AB10
V10	IO	IO_L29P_5/VREF_5	W10
U9	IO	IO_L29N_5	Y10
U6	IO/VREF_5	IO_L28P_5/D7	AA9
AB11	IO/VREF_5	IO_L28N_5/D6	AB9
Y4	IO_L01N_5/RDWR_B	IO_L27P_5	V9
AA3	IO_L01P_5/CS_B	IO_L27N_5/VREF_5	W9
AB4	IO_L06N_5	IO_L25P_5	AA8
AA4	IO_L06P_5	IO_L25N_5	AB8
Y5	IO_L09N_5	IO_L24P_5	V8
W5	IO_L09P_5	IO_L24N_5	W8
AB5	IO_L10N_5/VRP_5	IO_L22P_5	AA7
AA5	IO_L10P_5/VRN_5	IO_L22N_5	AB7
W6	IO_L15N_5	IO_L22N_5/VREF_5	W7
V6	IO_L15P_5	IO_L19P_5/VREF_5	Y7
		IO_L19N_5	Y6
		IO_L16P_5	AA6
		IO_L16N_5	
AA11	IO_L32N_5/GCLK3		
Y11	IO_L32P_5/GCLK2		

XC3S2000-FG456

7. I/O Bank 6



8. I/O Bank 7

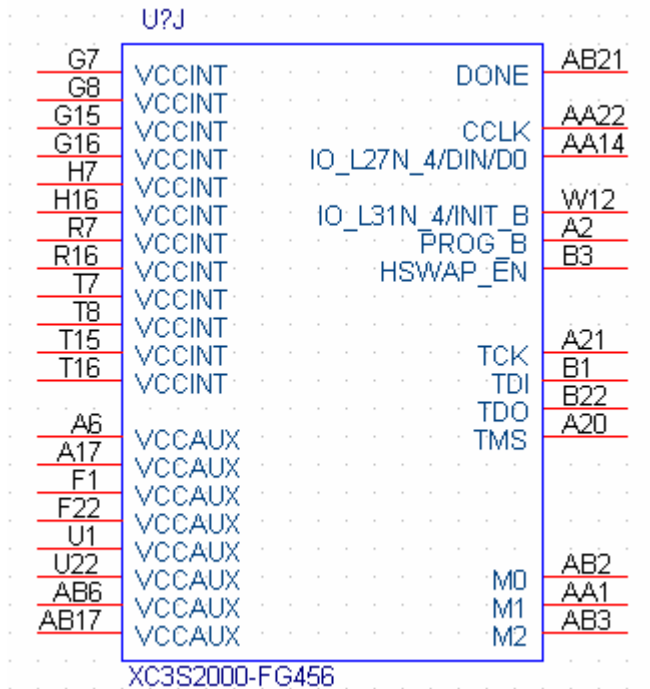


9. Ground

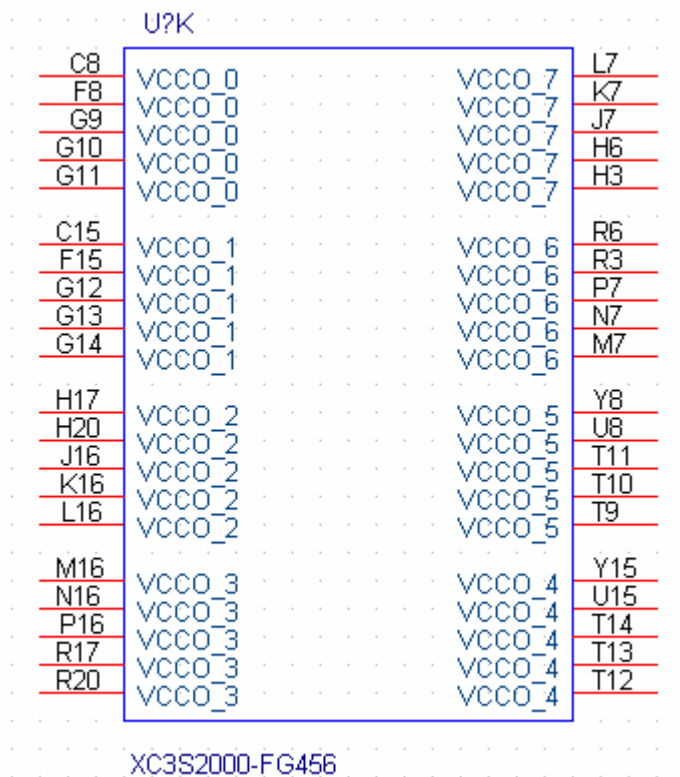
U?1			
A1	GND	GND	AB22
A22	GND	GND	AB1
B2	GND	GND	AA21
B21	GND	GND	AA2
C9	GND	GND	Y14
C14	GND	GND	Y9
J3	GND	GND	P20
J9	GND	GND	P14
J10	GND	GND	P13
J11	GND	GND	P12
J12	GND	GND	P11
J13	GND	GND	P10
J14	GND	GND	P9
J20	GND	GND	P3
K9	GND	GND	N14
K10	GND	GND	N13
K11	GND	GND	N12
K12	GND	GND	N11
K13	GND	GND	N10
K14	GND	GND	N9
L9	GND	GND	M14
L10	GND	GND	M13
L11	GND	GND	M12
L12	GND	GND	M11
L13	GND	GND	M10
L14	GND	GND	M9
	GND	GND	

XC3S2000-FG456

10. Power 1



11. Power 2



12. Document Revision History

	Revision	Date	By	Comments
1	1.00	Dec 27, 07	AC	Initial Release