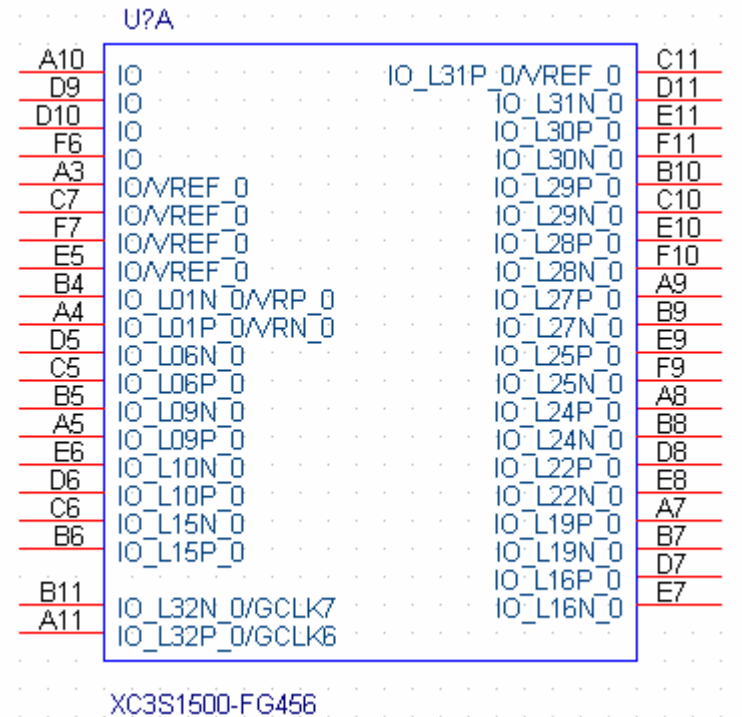


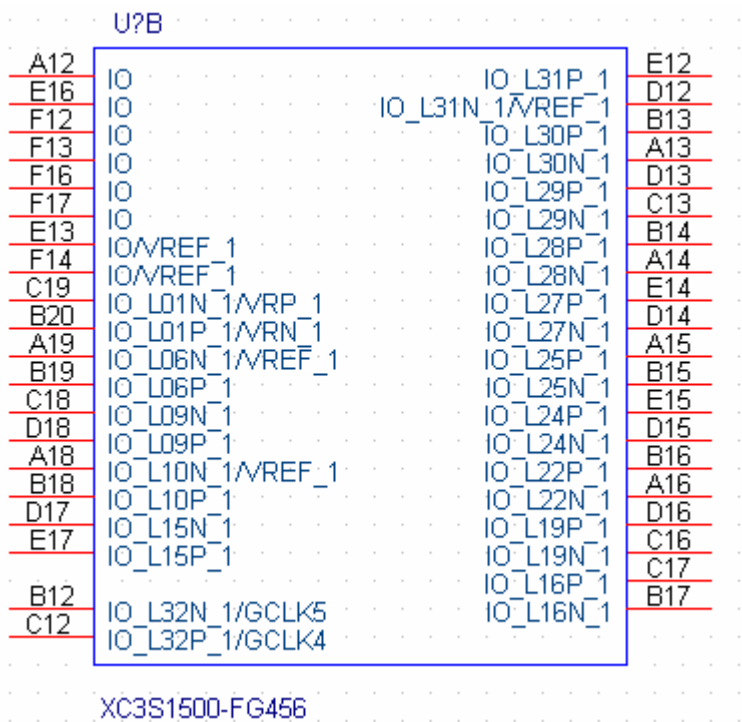
Schematic Symbol for XC3S1500-FG456

The symbol consists of 11 heterogeneous parts, each of them listed below:

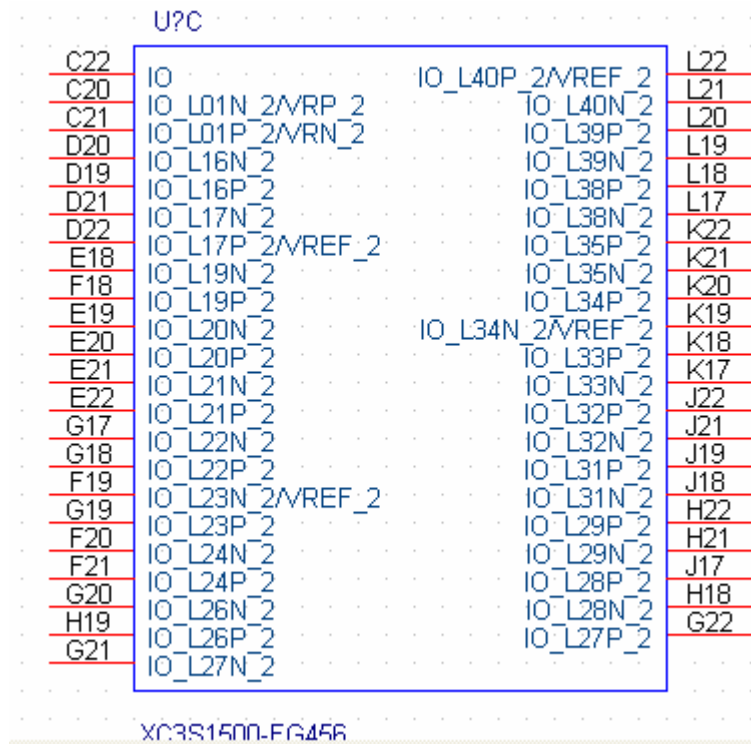
1. I/O Bank 0



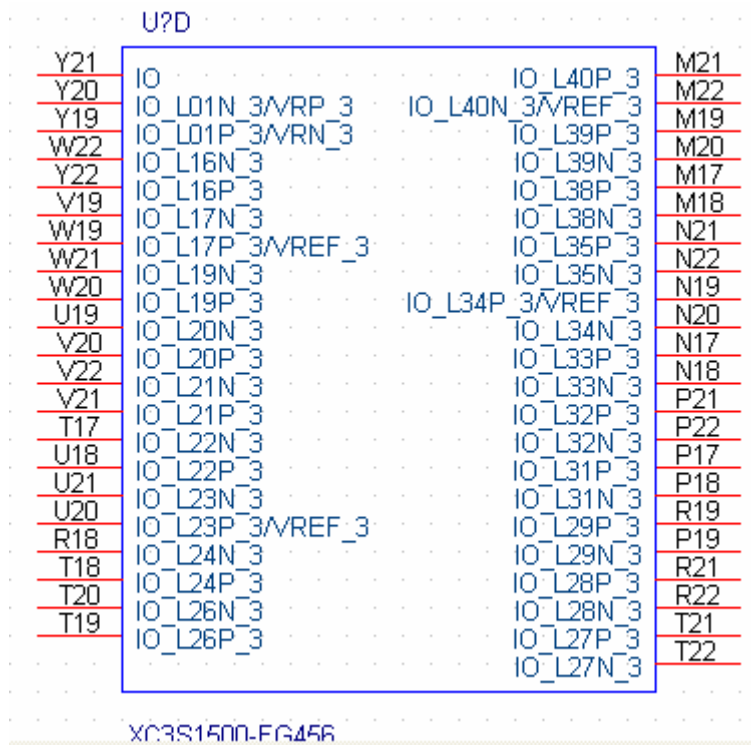
2. I/O Bank 1



3. I/O Bank 2



4. I/O Bank 3



5. I/O Bank 4

U?E

U16				Y12
U17	IO	IO_L31P_4/DOUT/BUSY		V12
W13	IO	IO_L30P_4/D3		U12
W14	IO	IO_L30N_4/D2		AA13
V18	IO	IO_L29P_4		Y13
Y16	IO/VREF_4	IO_L29N_4		V13
AB13	IO/VREF_4	IO_L28P_4		U13
AA20	IO/VREF_4	IO_L28N_4		AB14
AB20	IO_L01N_4/VRP_4	IO_L27P_4/D1		
AA19	IO_L01P_4/VRN_4			
AB19	IO_L05N_4			V14
W18	IO_L05P_4	IO_L25P_4		U14
Y18	IO_L06N_4/VREF_4	IO_L25N_4		AB15
AA18	IO_L06P_4	IO_L24P_4		AA15
AB18	IO_L09N_4	IO_L24N_4		W15
V17	IO_L09P_4	IO_L22P_4		V15
W17	IO_L10N_4	IO_L22N_4/VREF_4		AB16
Y17	IO_L10P_4	IO_L19P_4		AA16
	IO_L15N_4	IO_L19N_4		W16
AA12		IO_L16P_4		V16
AB12	IO_L32N_4/GCLK1	IO_L16N_4		AA17
	IO_L32P_4/GCLK0	IO_L15P_4		

XC3S1500-FG456

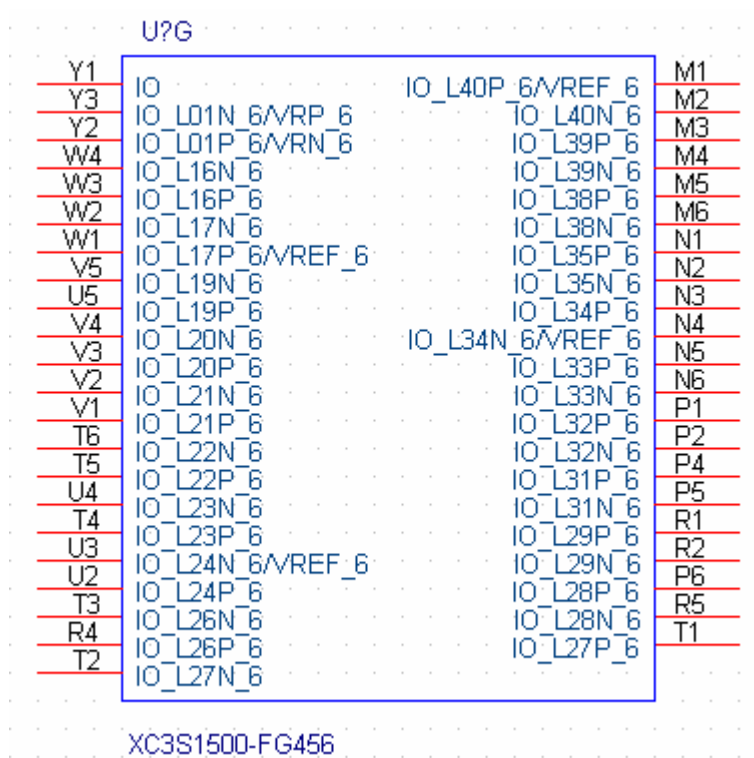
6. I/O Bank 5

U?F

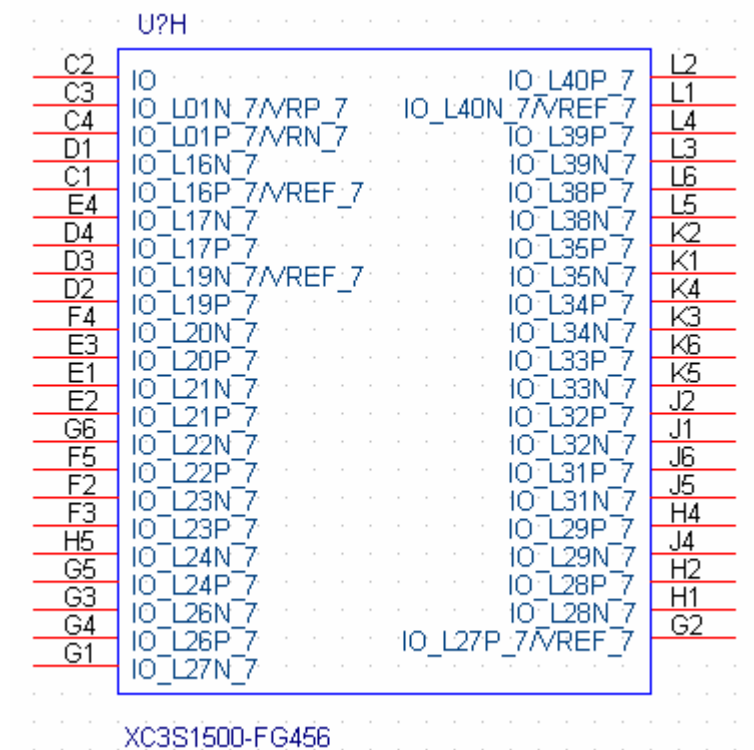
U7				V11
U10	IO	IO_L31P_5/D5		W11
U11	IO	IO_L31N_5/D4		AA10
V7	IO	IO_L30P_5		AB10
V10	IO	IO_L30N_5		W10
U9	IO	IO_L29P_5/VREF_5		Y10
U6	IO	IO_L29N_5		AA9
AB11	IO/VREF_5	IO_L28P_5/D7		AB9
Y4	IO/VREF_5	IO_L28N_5/D6		V9
AA3	IO_L01N_5/RDWR_B	IO_L27P_5		W9
AB4	IO_L01P_5/CS_B	IO_L27N_5/VREF_5		AA8
AA4	IO_L06N_5	IO_L25P_5		AB8
Y5	IO_L06P_5	IO_L25N_5		V8
W5	IO_L09N_5	IO_L24P_5		W8
AB5	IO_L09P_5	IO_L24N_5		AA7
AA5	IO_L10N_5/VRP_5	IO_L22P_5		AB7
W6	IO_L10P_5/VRN_5	IO_L22N_5		W7
V6	IO_L15N_5	IO_L19P_5/VREF_5		Y7
	IO_L15P_5	IO_L19N_5		Y6
AA11		IO_L16P_5		AA6
Y11	IO_L32N_5/GCLK3	IO_L16N_5		
	IO_L32P_5/GCLK2			

XC3S1500-FG456

7. I/O Bank 6



8. I/O Bank 7

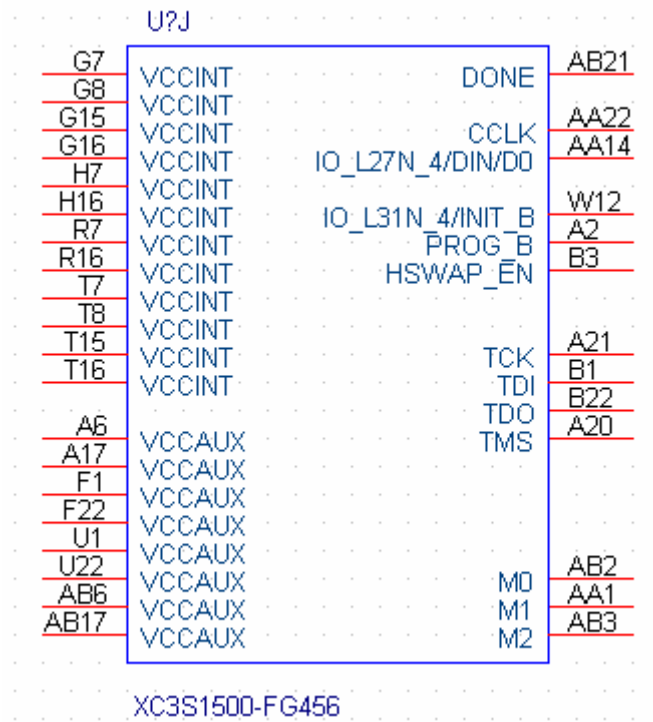


9. Ground

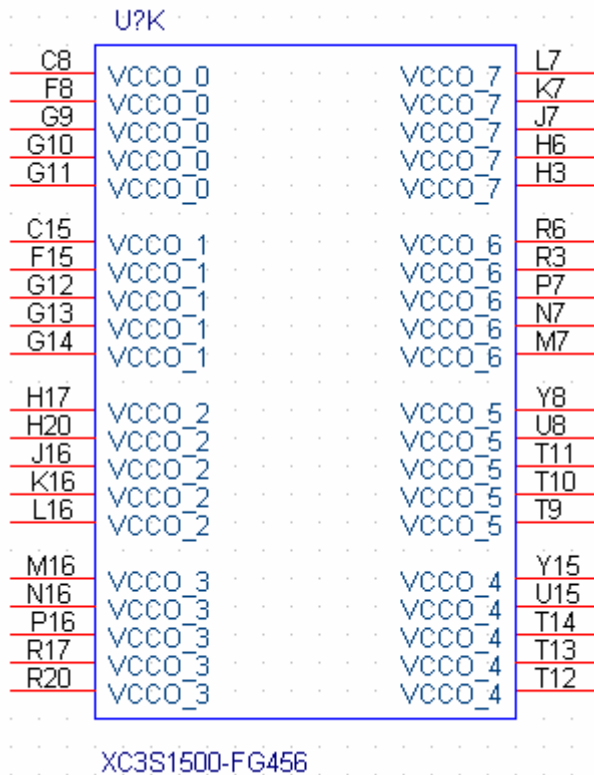
U?	
A1	GND
A22	GND
B2	GND
B21	GND
C9	GND
C14	GND
J3	GND
J9	GND
J10	GND
J11	GND
J12	GND
J13	GND
J14	GND
J20	GND
K9	GND
K10	GND
K11	GND
K12	GND
K13	GND
K14	GND
L9	GND
L10	GND
L11	GND
L12	GND
L13	GND
L14	GND
AB22	GND
AB1	GND
AA21	GND
AA2	GND
Y14	GND
Y9	GND
P20	GND
P14	GND
P13	GND
P12	GND
P11	GND
P10	GND
P9	GND
P3	GND
N14	GND
N13	GND
N12	GND
N11	GND
N10	GND
N9	GND
M14	GND
M13	GND
M12	GND
M11	GND
M10	GND
M9	GND

XC3S1500-FG456

10. Power 1



11. Power 2



12. Document Revision History

	Revision	Date	By	Comments
1	1.00	Dec 27, 07	AC	Initial Release