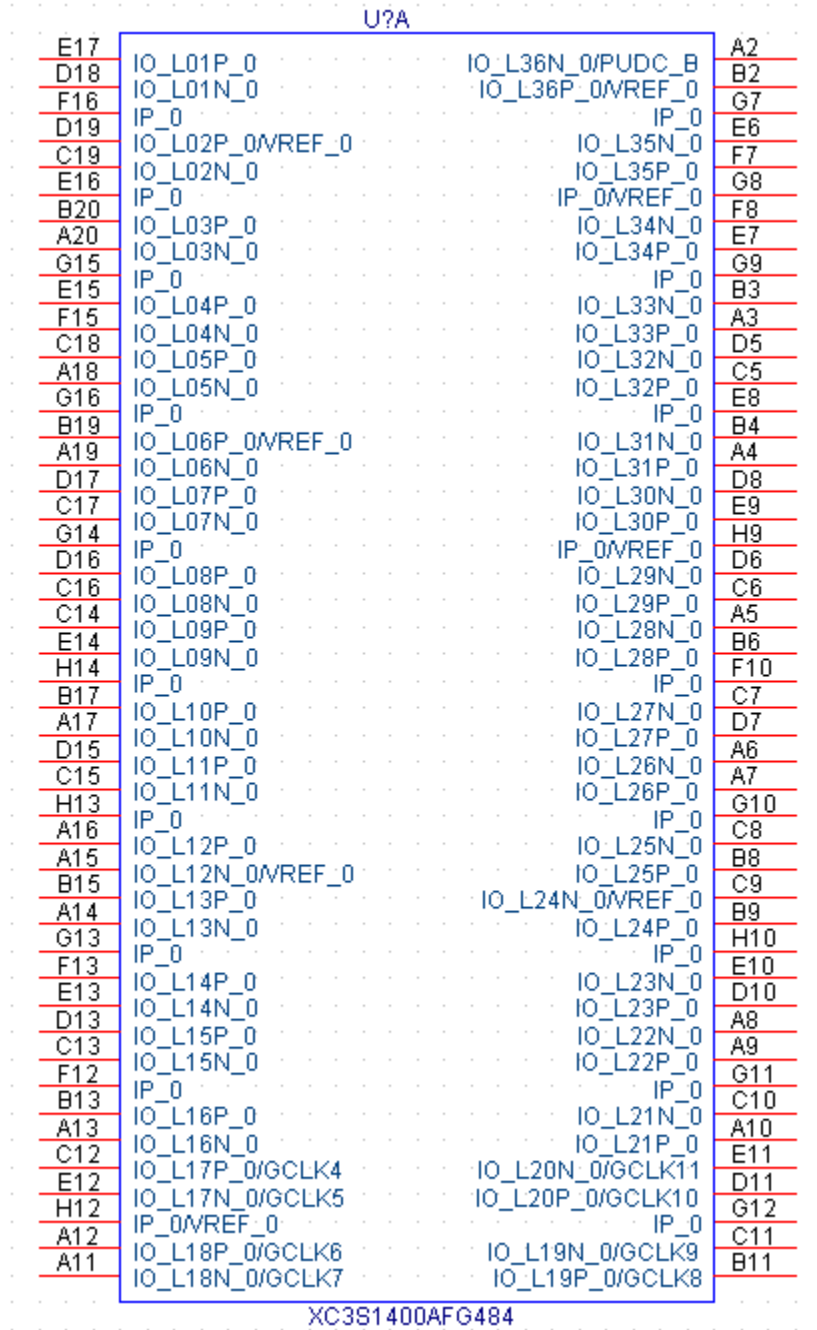


### Schematic Symbol for XC3S1400AFG484

The Schematic symbol consists of 7 heterogeneous parts that are listed below:

#### 1. IO bank 0

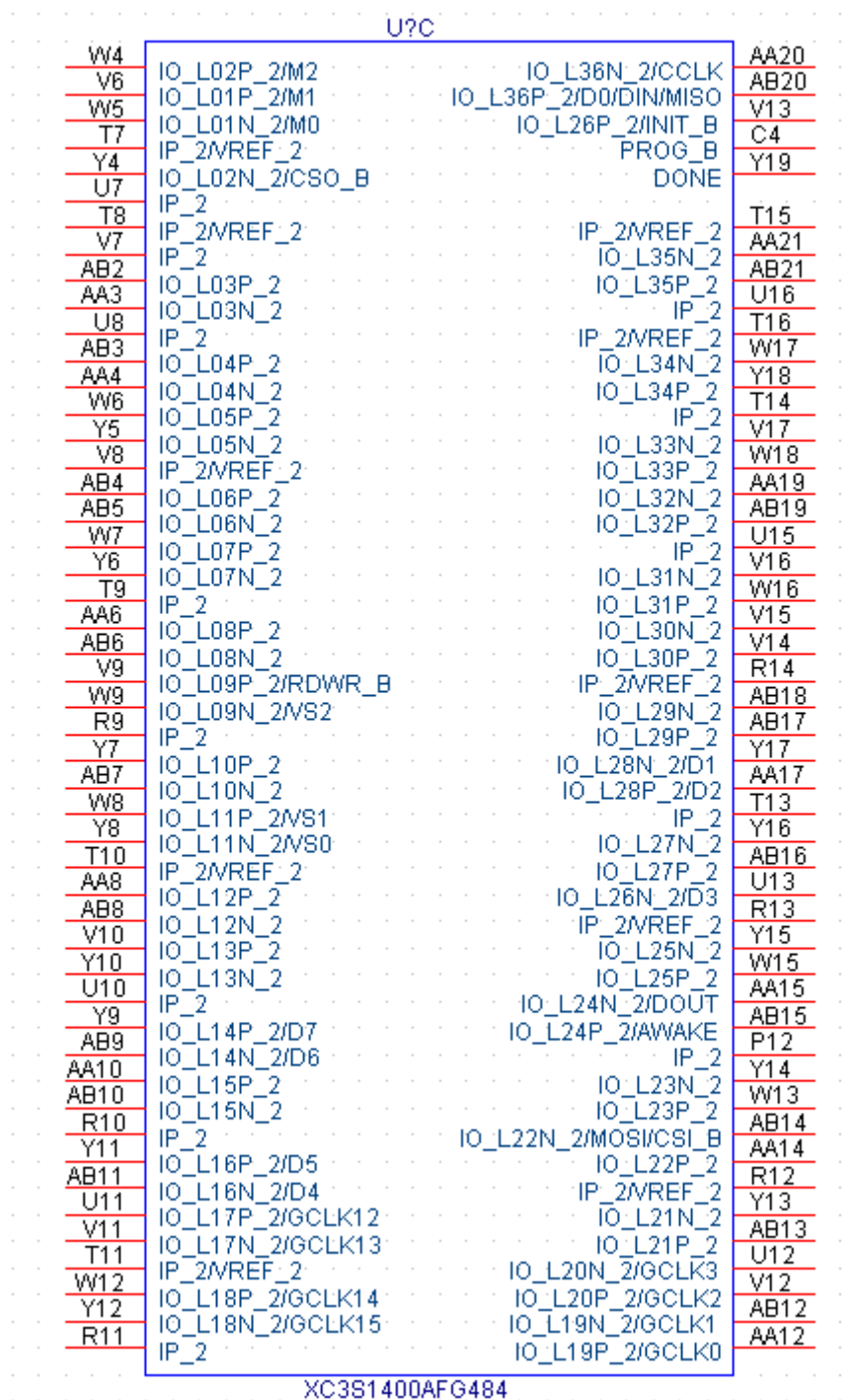


2. IO bank 1

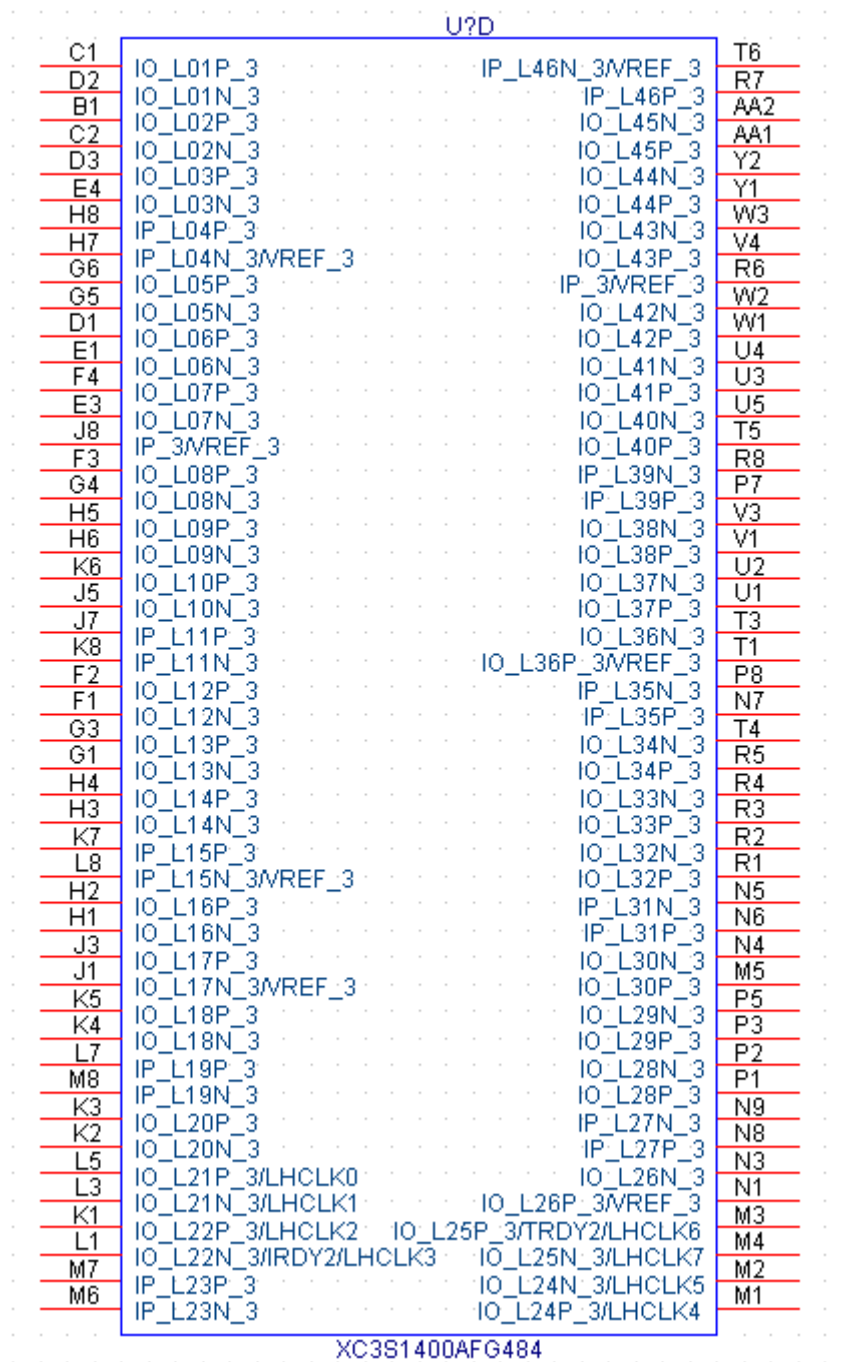
U?B			
U18	SUSPEND	IP_L47N_1	H15
AA22	IO_L01P_1/HDC	IP_L47P_1/VREF_1	H16
Y21	IO_L01N_1/LDC2	IO_L46N_1/A25	G17
W19	IO_L02P_1/LDC1	IO_L46P_1/A24	G18
W20	IO_L02N_1/LDC0	IO_L45N_1/A23	B21
T17	IO_L03P_1/A0	IO_L45P_1/A22	B22
T18	IO_L03N_1/A1	IO_L44N_1/A21	C21
R15	IP_L04P_1	IO_L44P_1/A20	C22
R16	IP_L04N_1/VREF_1	IP_L43N_1/VREF_1	J15
Y22	IO_L05P_1	IP_L43P_1	J16
W21	IO_L05N_1	IO_L42N_1	D20
V19	IO_L06P_1	IO_L42P_1	D21
V20	IO_L06N_1	IO_L41N_1	D22
W22	IO_L07P_1	IO_L41P_1	E22
V22	IO_L07N_1	IO_L40N_1	F18
P15	IP_L08P_1	IO_L40P_1	F19
P16	IP_L08N_1	IP_L39N_1	H18
U22	IO_L09P_1	IP_L39P_1	H17
U21	IO_L09N_1	IO_L38N_1	F20
U20	IO_L10P_1	IO_L38P_1	E20
U19	IO_L10N_1	IO_L37N_1	H19
T20	IO_L11P_1	IO_L37P_1	J18
T22	IO_L11N_1	IO_L36N_1	G20
R17	IP_L12P_1	IO_L36P_1	G19
R18	IP_L12N_1/VREF_1	IP_L35N_1	K15
R20	IO_L13P_1	IP_L35P_1/VREF_1	K14
T19	IO_L13N_1	IO_L34N_1/A19	F21
R21	IO_L14P_1	IO_L34P_1/A18	F22
R22	IO_L14N_1	IO_L33N_1/A17	H20
P20	IO_L15P_1	IO_L33P_1/A16	H21
P22	IO_L15N_1/VREF_1	IO_L32N_1	K18
N15	IP_L16P_1	IO_L32P_1	K17
N16	IP_L16N_1/VREF_1	IP_L31N_1	K16
R19	IO_L17P_1/A2	IP_L31P_1	L15
P18	IO_L17N_1/A3	IO_L30N_1/A15	G22
N22	IO_L18P_1/A4	IO_L30P_1/A14	H22
N21	IO_L18N_1/A5	IO_L29N_1/A13	J20
N20	IO_L19P_1/A6	IO_L29P_1/A12	J21
N19	IO_L19N_1/A7	IO_L28N_1	L19
N18	IO_L20P_1/A8	IO_L28P_1	L18
N17	IO_L20N_1/A9	IP_L27N_1	L16
M22	IO_L21P_1/RHCLK0	IP_L27P_1/VREF_1	M15
L22	IO_L21N_1/RHCLK1	IO_L26N_1/A11	J22
L21	IO_L22P_1/RHCLK2	IO_L26P_1/A10	K22
L20	IO_L22N_1/TRDY1/RHCLK3	IO_L25N_1/RHCLK7	K19
M17	IP_L23P_1	IO_L25P_1/IRDY1/RHCLK6	K20
M16	IP_L23N_1	IO_L24N_1/RHCLK5	M20
		IO_L24P_1/RHCLK4	M18

XC3S1400AFG484

### 3. IO bank 2



#### 4. IO bank 3

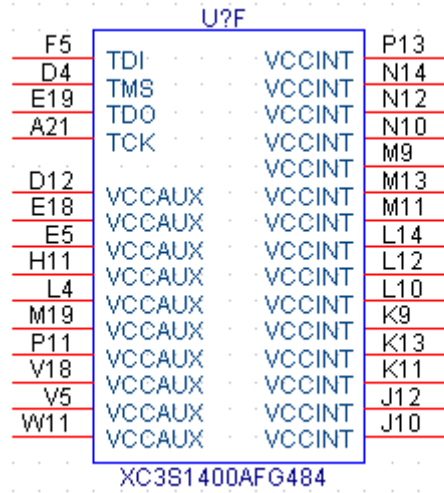


## 5. Ground

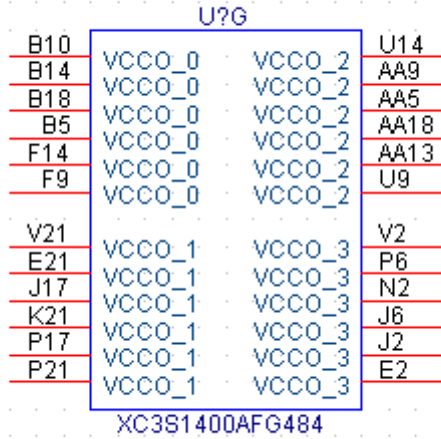
U?E			
A1	GND	GND	Y3
A22	GND	GND	Y20
AA11	GND	GND	W14
AA16	GND	GND	W10
AA7	GND	GND	U6
AB1	GND	GND	U17
AB22	GND	GND	T21
B12	GND	GND	T2
B16	GND	GND	T12
B7	GND	GND	P9
C20	GND	GND	P4
		GND	P19
C3		GND	P14
D14	GND	GND	P10
D9	GND	GND	N13
F11	GND	GND	N11
F17	GND	GND	M21
F6	GND	GND	M14
G2	GND	GND	M12
G21	GND	GND	M10
J11	GND	GND	L9
J13	GND	GND	L6
J14	GND	GND	L2
J19	GND	GND	L17
J4	GND	GND	L13
J9	GND	GND	L11
K10	GND	GND	K12

XC3S1400AFG484

### 6. Power 1/Programing



### 7. Power 2



## 8. Revision History

	Revision	Date	By	Comments
1	1.01	Apr 18, 2007	MD	Initial Release