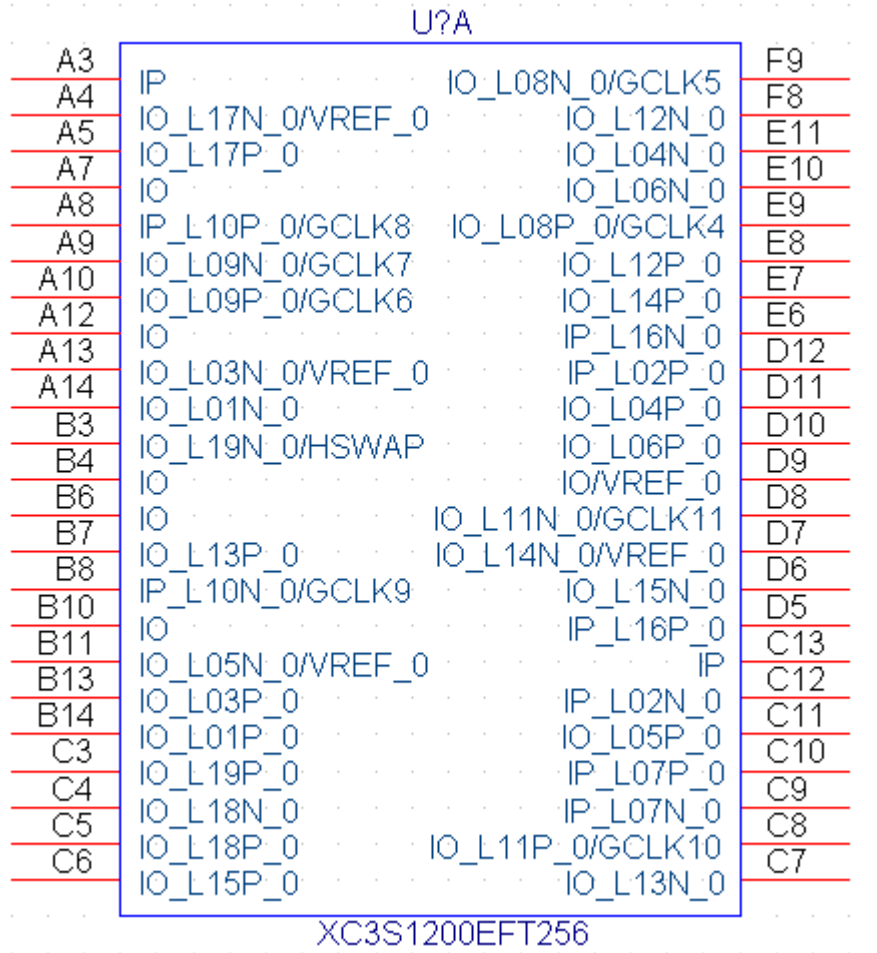


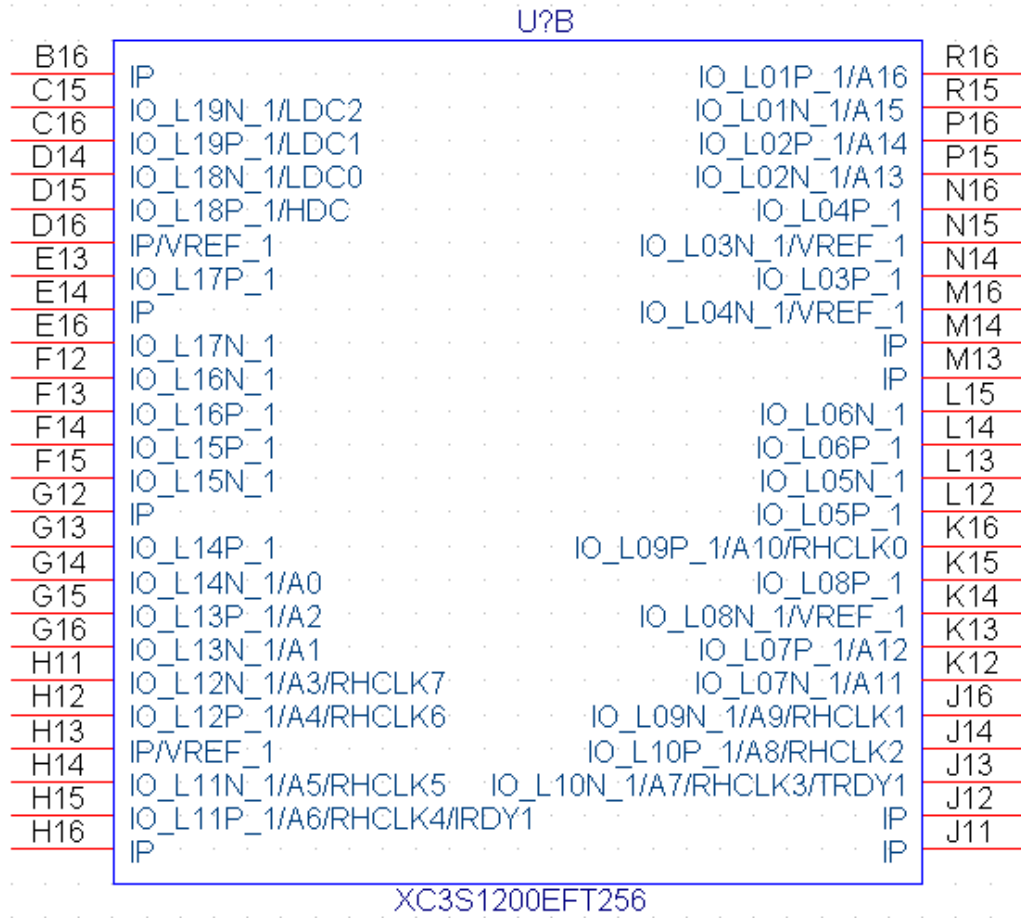
Schematic Symbol for XC3S1200EFT256

The Schematic symbol consists of 6 heterogeneous parts that are listed below:

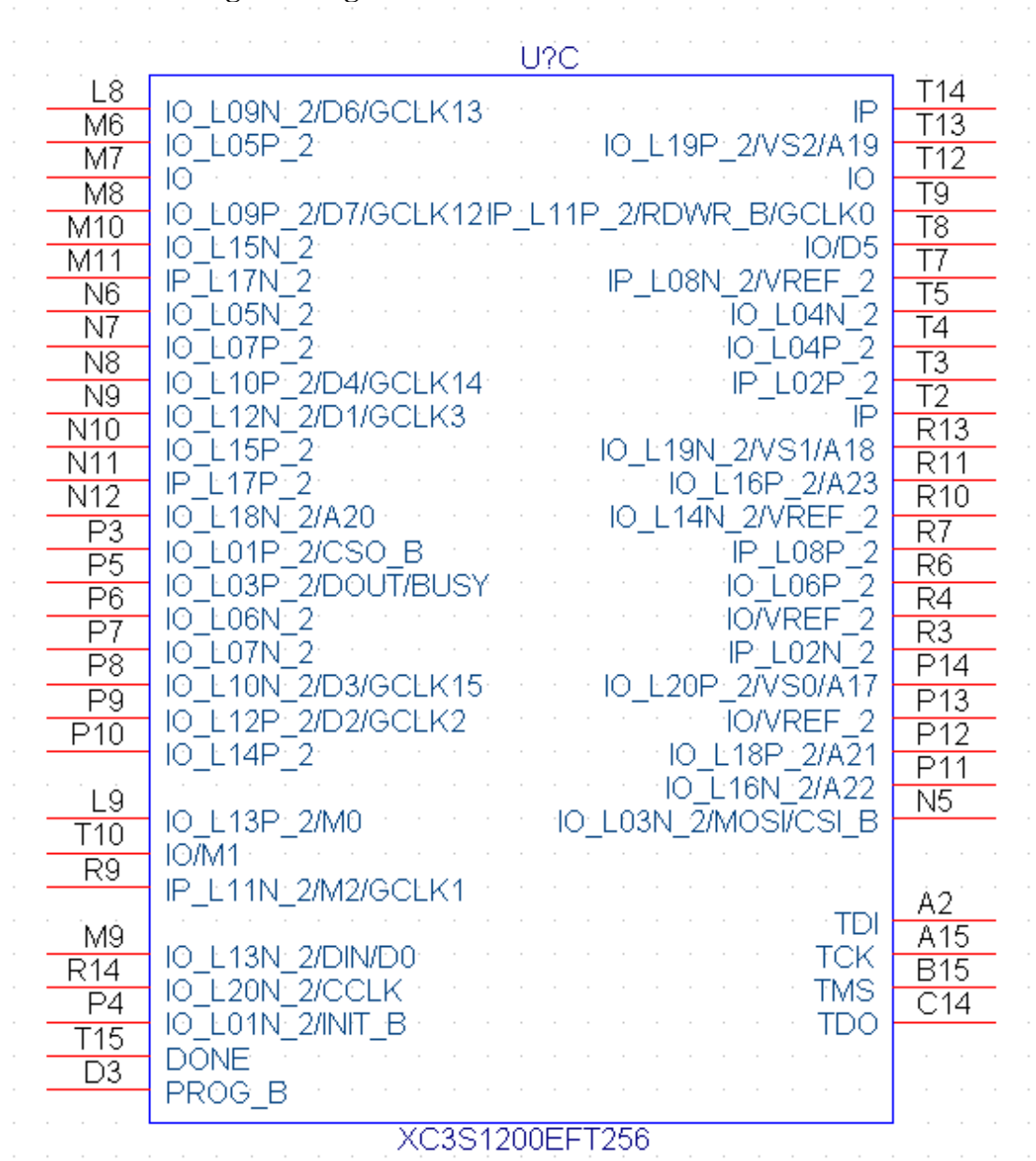
1. IO bank 0



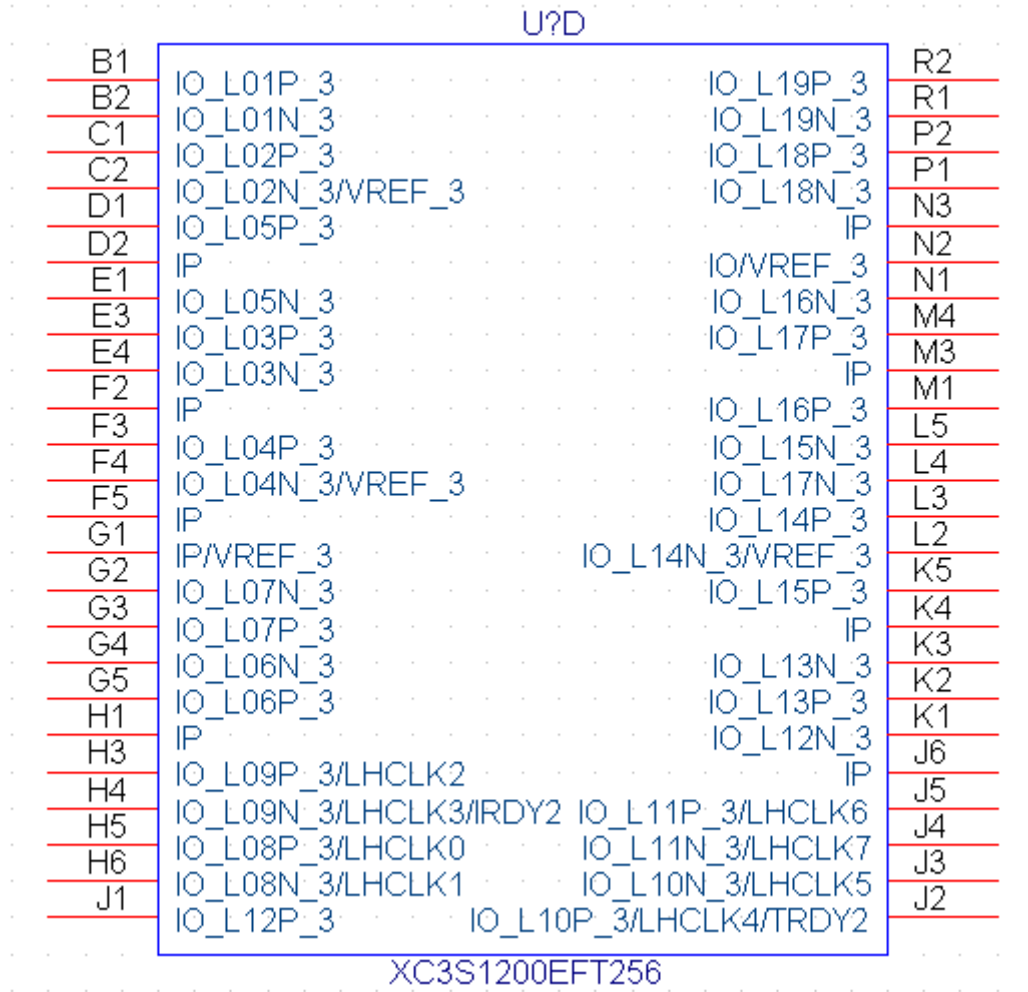
2. IO bank 1



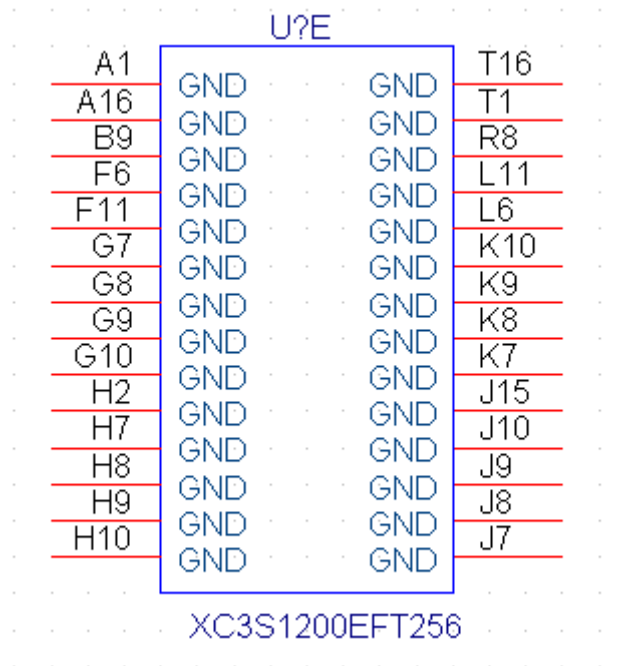
3. IO bank 2/Programming Interface



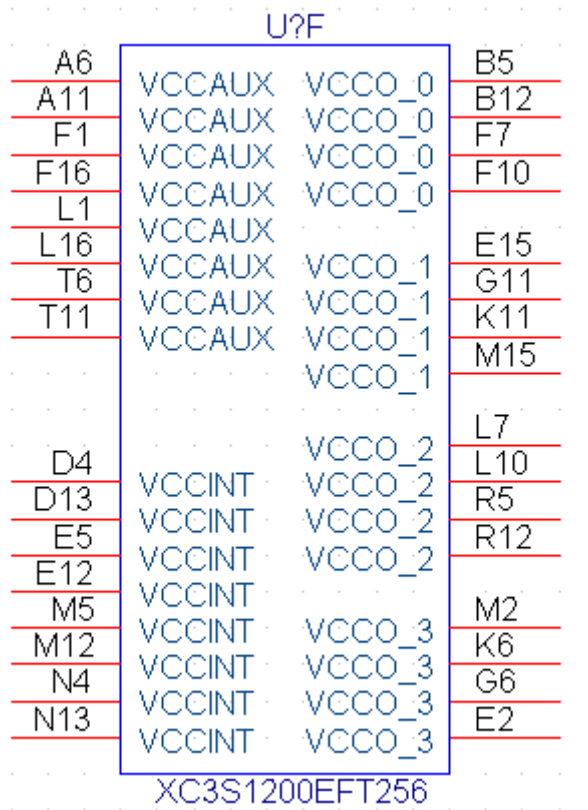
4. IO bank 3



5. Ground Power



6. Power



7. Revision History

Revision	Date	By	Comments	
1	1.01	March 15, 2007	MD	Initial Release