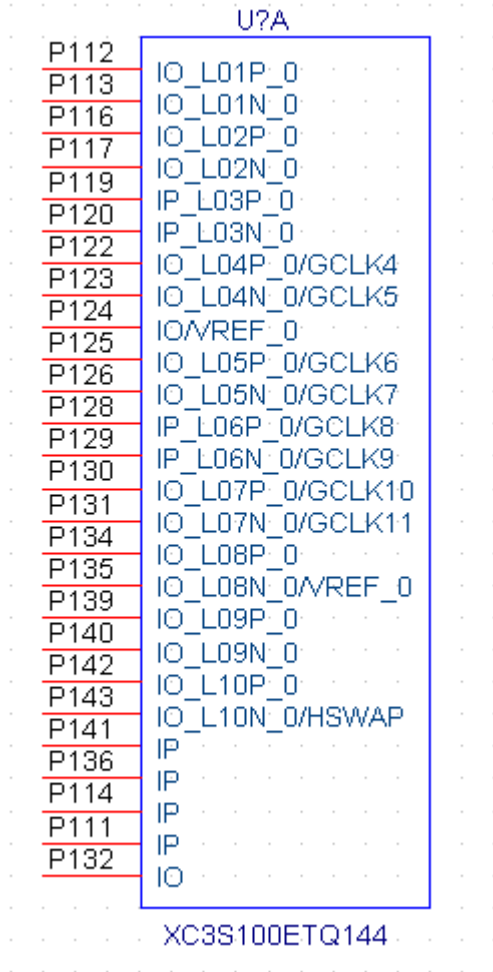


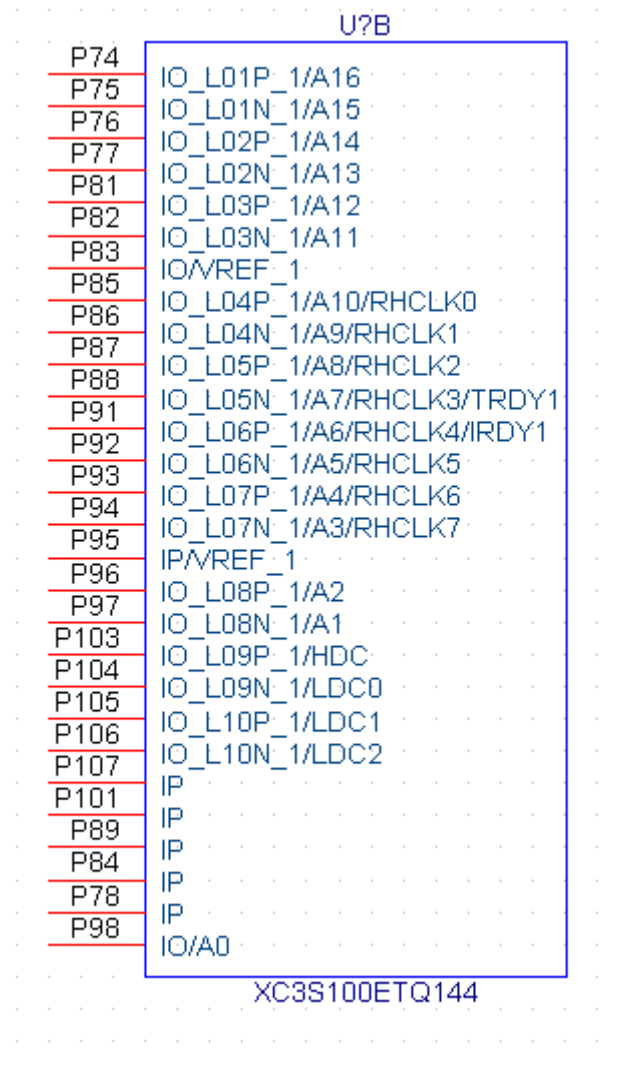
Schematic Symbol for XC3S100ETQ144

The Schematic symbol consists of 6 heterogeneous parts that are listed below:

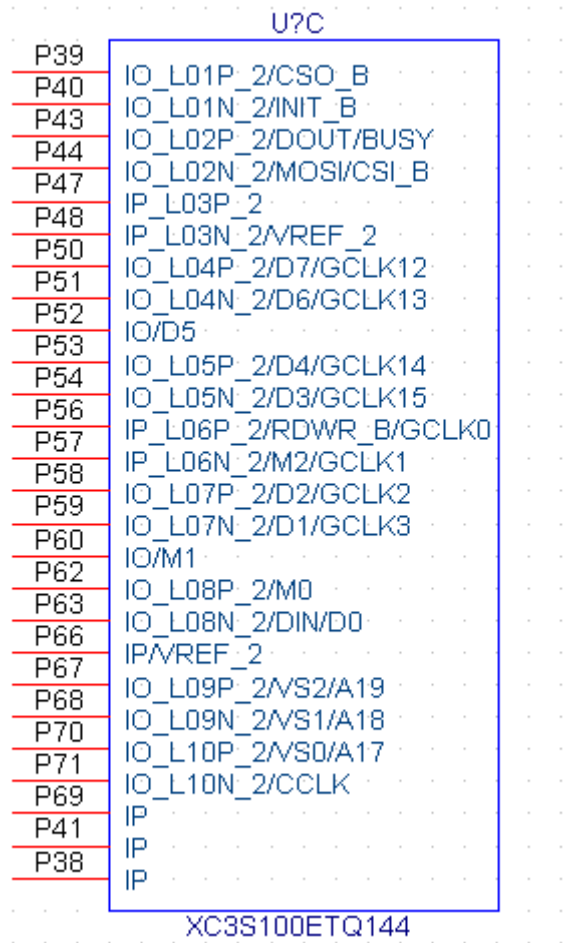
1. IO bank 0



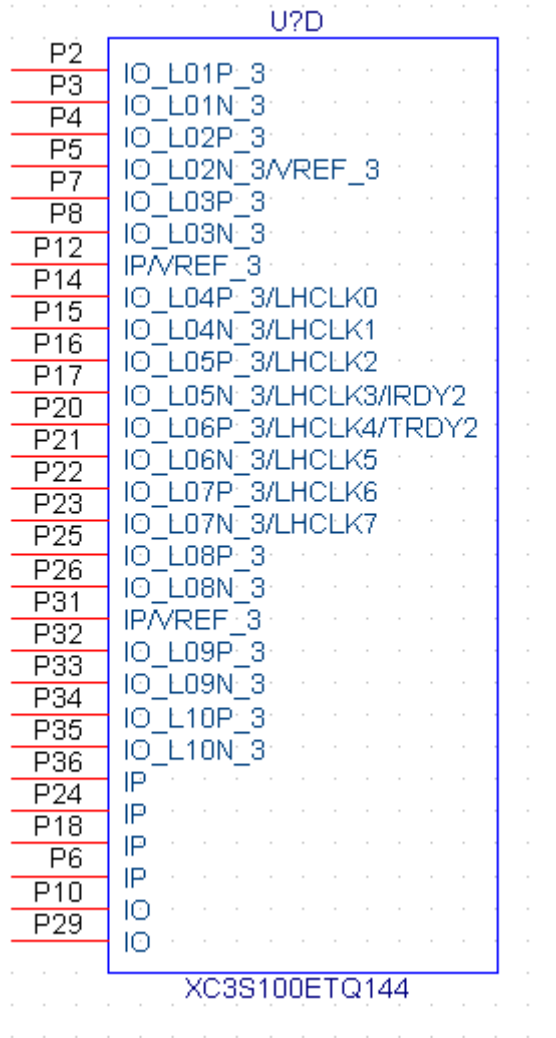
2. IO bank 1



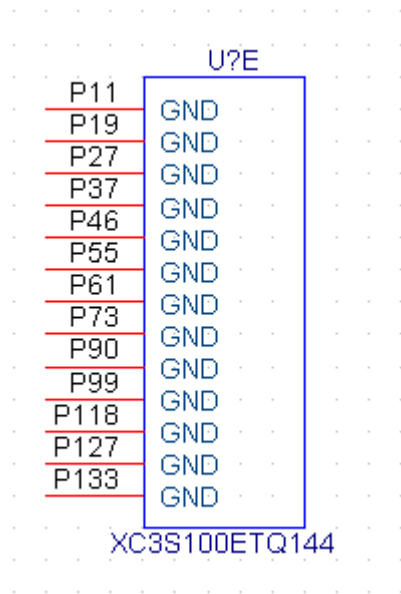
3. IO bank 2



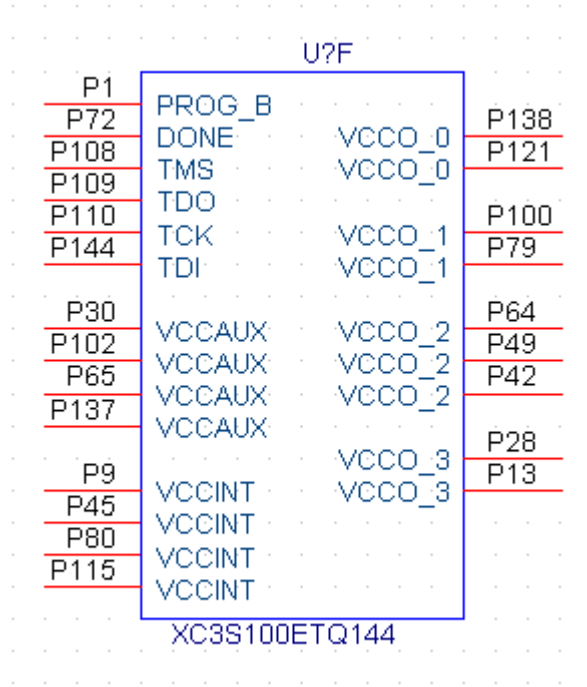
4. IO bank 3



5. Ground Power



6. Power



7. Revision History

	Revision	Date	By	Comments
1	1.01	March 15, 2007	MD	Initial Release