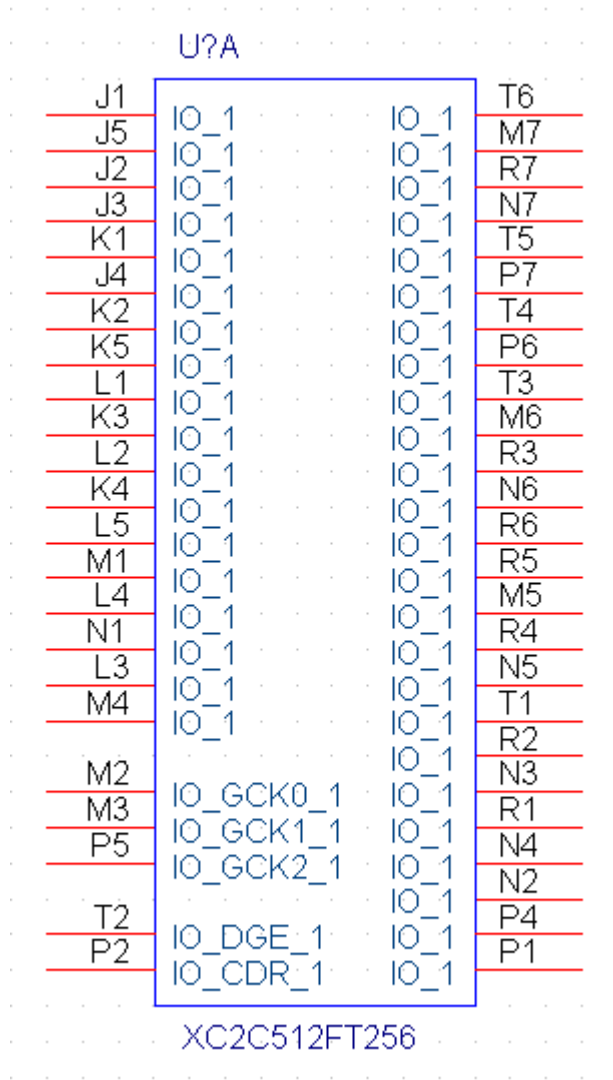


### Schematic Symbol for XC2C512 FT256

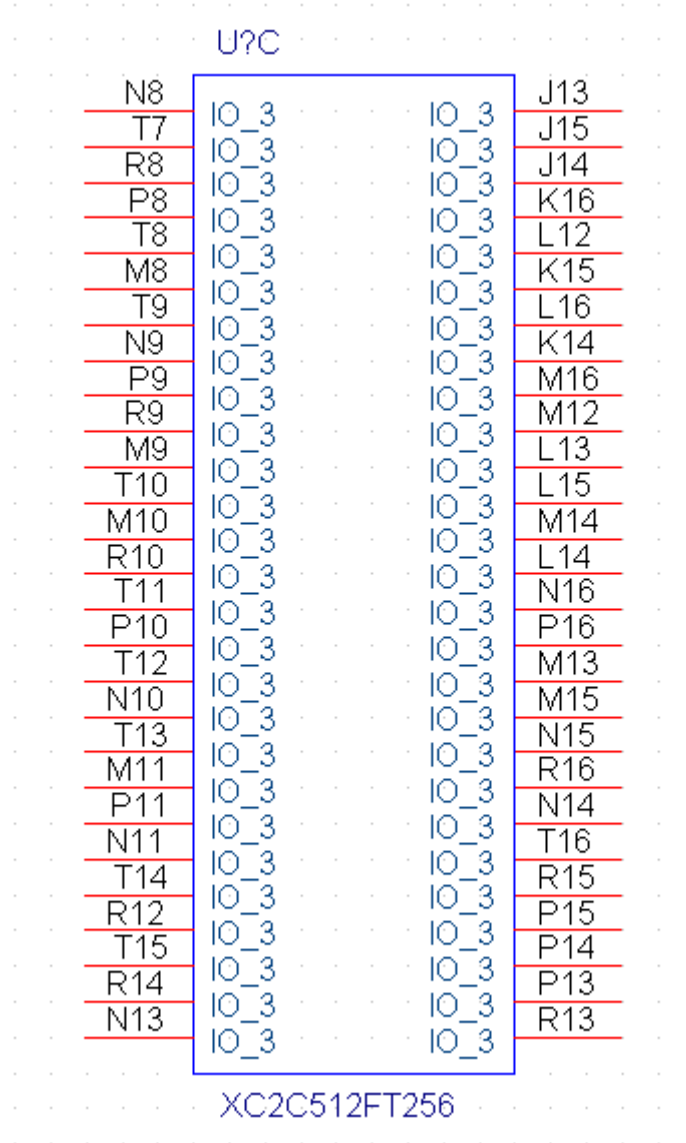
The Schematic symbol consists of 6 heterogeneous parts that are listed below:

#### 1. I/O Bank 1

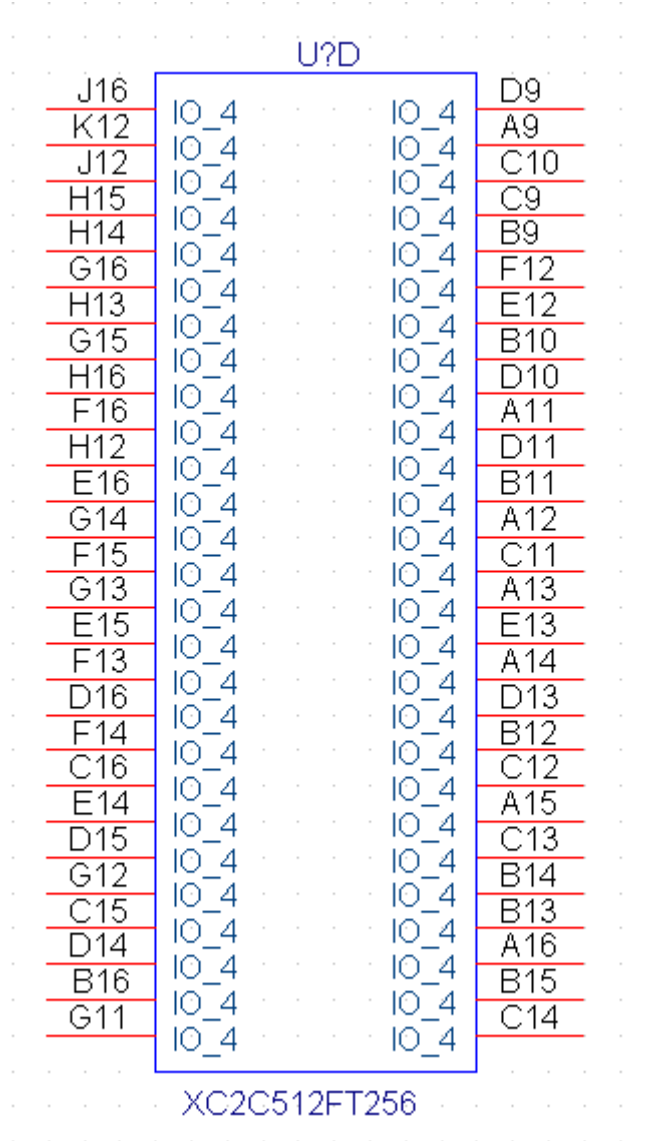




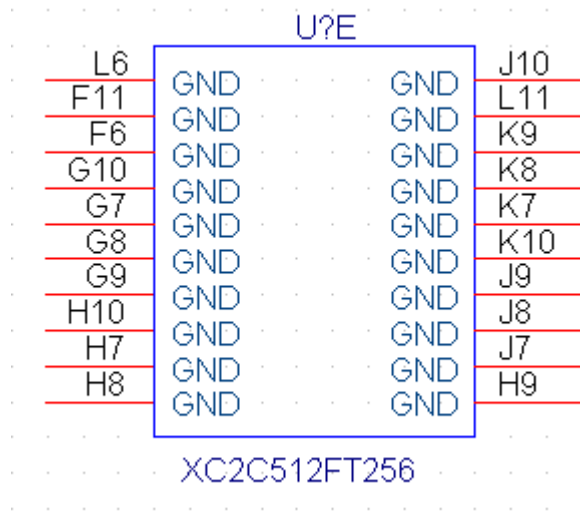
### 3. I/O Bank 3



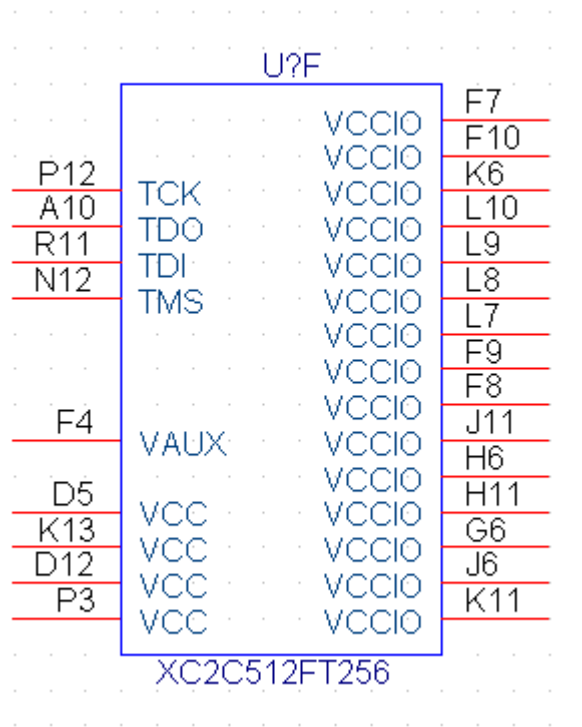
**4. I/O Bank 4**



### 5. Ground



## 6. Power



7.

	Revision	Date	By	Comments
1	1.01	Feb 22, 2007	MD	Initial Release