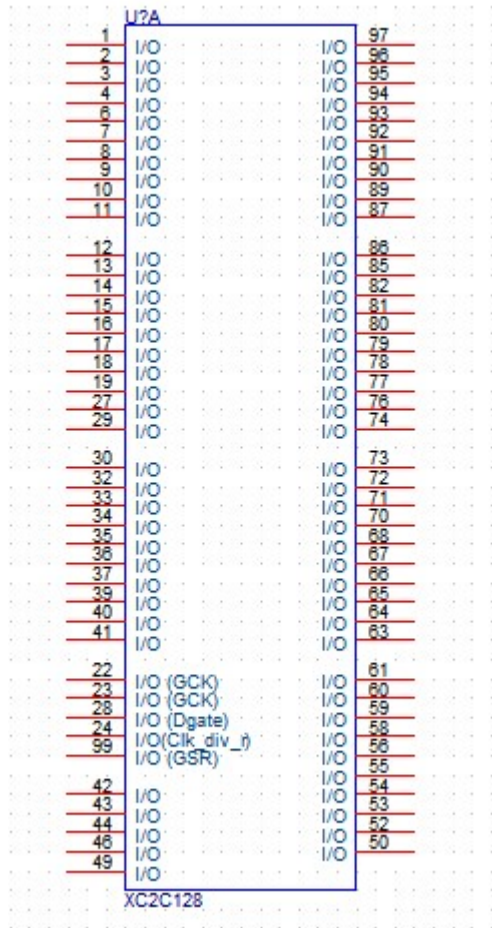


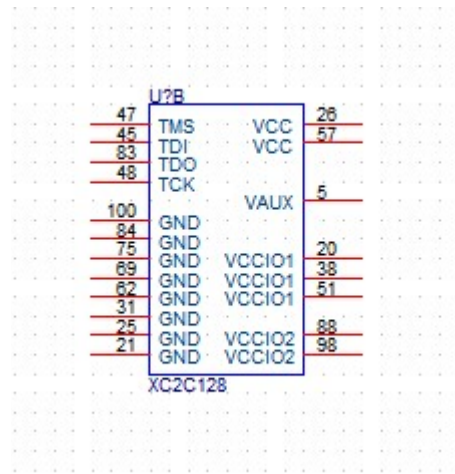
## Schematic Symbol for XC2C128 VQ100

The Schematic symbol consists of 2 heterogeneous parts that are listed below:

### 1. I/O Pins



## 2. Power and Programming



## 16. Revision History

	Revision	Date	By	Comments
1	1.00	Nov 27, 2007	LD	Initial Release