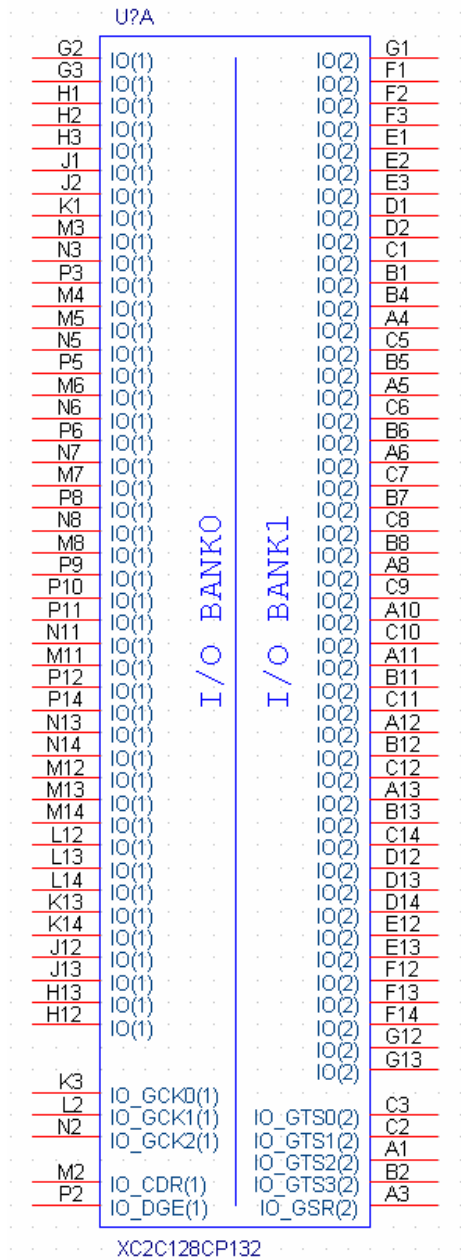


Schematic Symbol for XC2C128-CP132

The Orcad symbol consists of 2 heterogeneous parts, each of them listed below:

1. I/O Pins (BANK1 and BANK2)

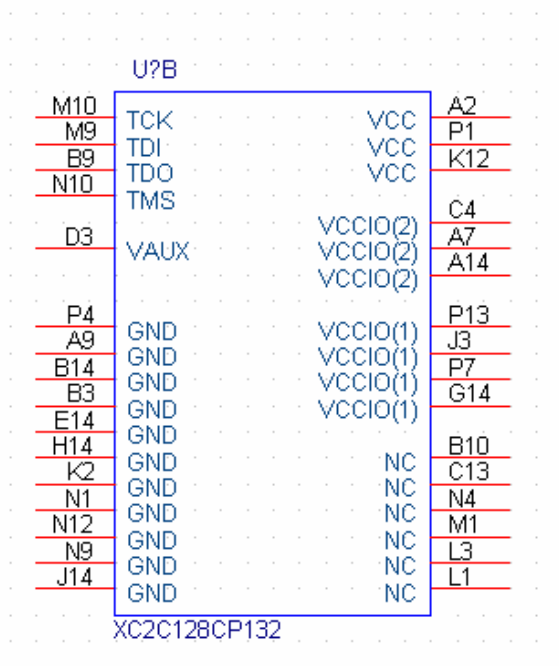


Notes:

-GTS = global output enable, GSR = global reset/set, GCK = global clock, CDRST = clock divide reset, DGE = DataGATE enable.

-GTS, GSR and GCK pins can be used for general purpose I/O.

2. Power and Programming Interface



Note: VAUX is the power supply pin for the JTAG chain. Please ensure that this pin is connected to allow the programming of the part.

Document Revision History

	Revision	Date	By	Comments
1	1.00	Apr 15, 2008	LD	Initial Release