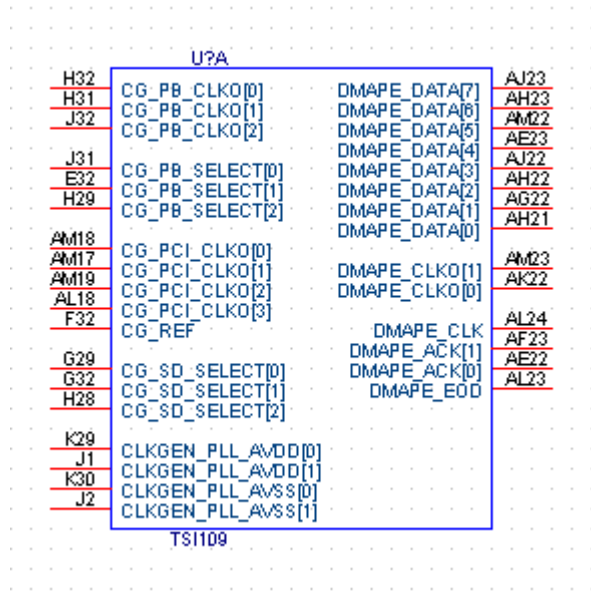


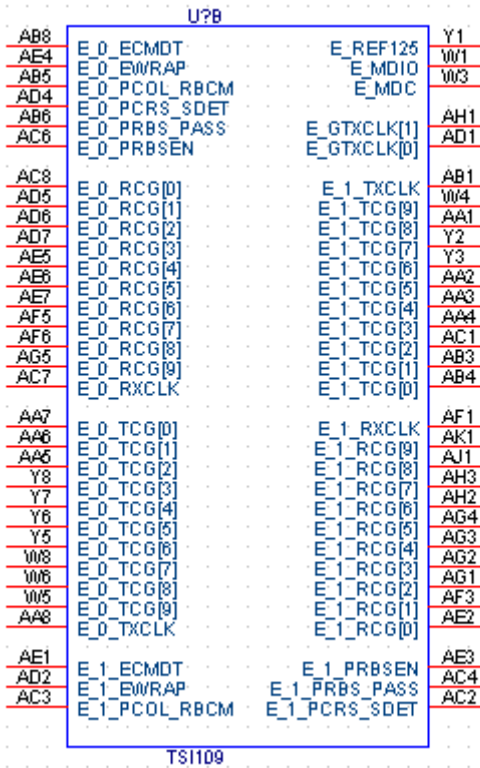
Schematic Symbol for Tundra TSI109

The Schematic symbol consists of 16 heterogeneous parts that are listed below:

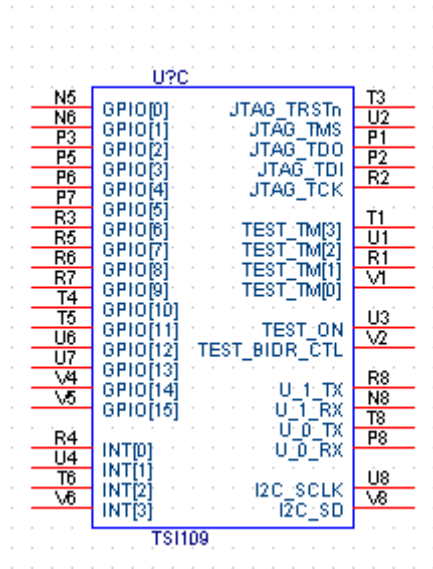
1.



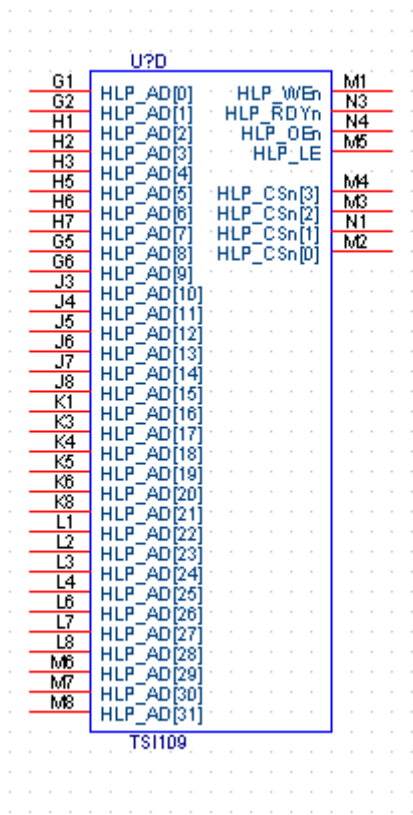
2.



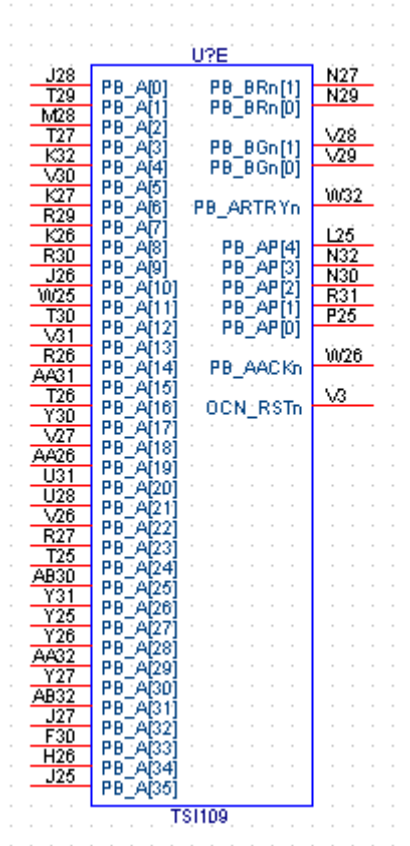
3.



4.



5.

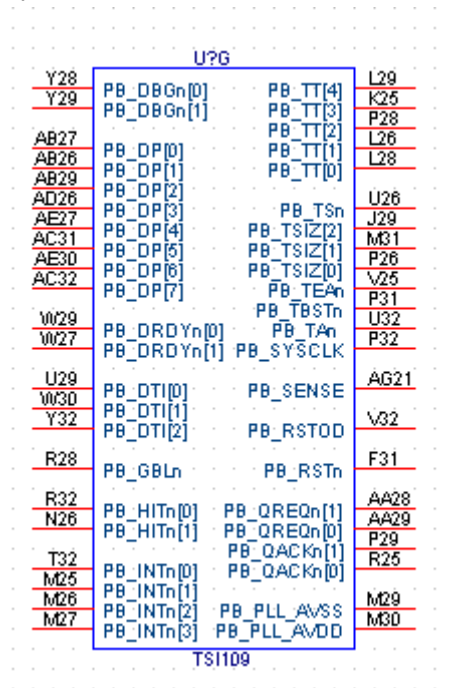


6.

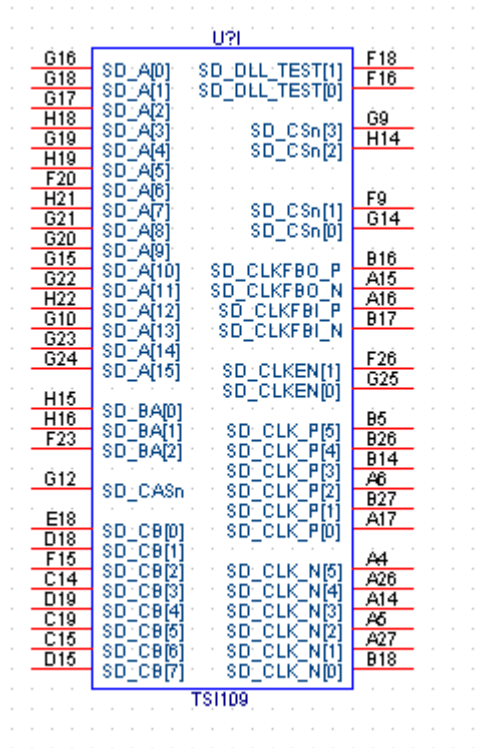
U?F			
AJ29	PB_D[0]	PB_D[63]	AH24
AK31	PB_D[1]	PB_D[62]	AF32
AJ30	PB_D[2]	PB_D[61]	AH25
AL32	PB_D[3]	PB_D[60]	AE25
AM31	PB_D[4]	PB_D[59]	AG24
AK29	PB_D[5]	PB_D[58]	AD25
AG28	PB_D[6]	PB_D[57]	AE26
AF27	PB_D[7]	PB_D[56]	AC30
AJ32	PB_D[8]	PB_D[55]	AL30
AJ31	PB_D[9]	PB_D[54]	AD32
AH30	PB_D[10]	PB_D[53]	AH27
AG29	PB_D[11]	PB_D[52]	AH26
AH29	PB_D[12]	PB_D[51]	AJ28
AK32	PB_D[13]	PB_D[50]	AM29
AF29	PB_D[14]	PB_D[49]	AM30
AF28	PB_D[15]	PB_D[48]	AK26
AH32	PB_D[16]	PB_D[47]	AL27
AG31	PB_D[17]	PB_D[46]	AM27
AE29	PB_D[18]	PB_D[45]	AM24
AC27	PB_D[19]	PB_D[44]	AM28
AF30	PB_D[20]	PB_D[43]	AJ27
AL26	PB_D[21]	PB_D[42]	AL29
AG32	PB_D[22]	PB_D[41]	AM25
AD28	PB_D[23]	PB_D[40]	AK28
AK24	PB_D[24]	PB_D[39]	AB25
AJ25	PB_D[25]	PB_D[38]	AG26
AD29	PB_D[26]	PB_D[37]	AC26
AG25	PB_D[27]	PB_D[36]	AE32
AK25	PB_D[28]	PB_D[35]	AC29
AF31	PB_D[29]	PB_D[34]	AC28
AF26	PB_D[30]	PB_D[33]	AC25
AF24	PB_D[31]	PB_D[32]	AD31

TS1109

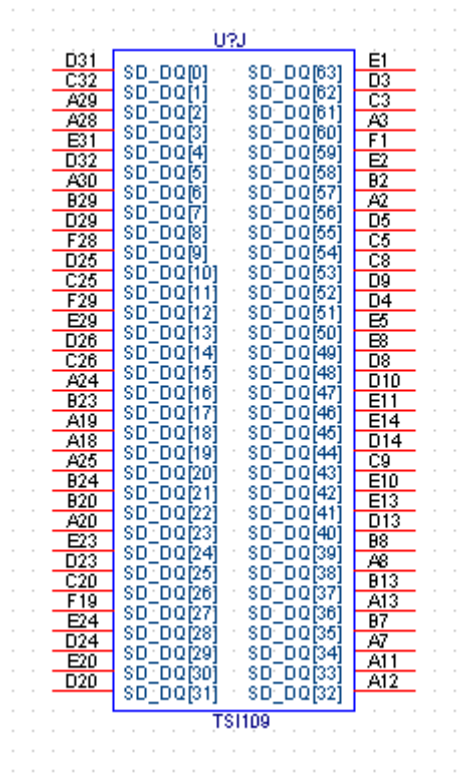
7.



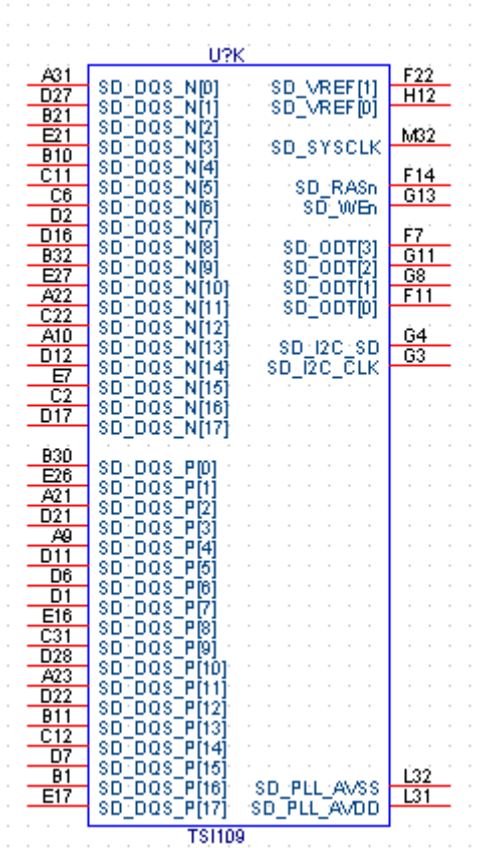
9.



10.



11.

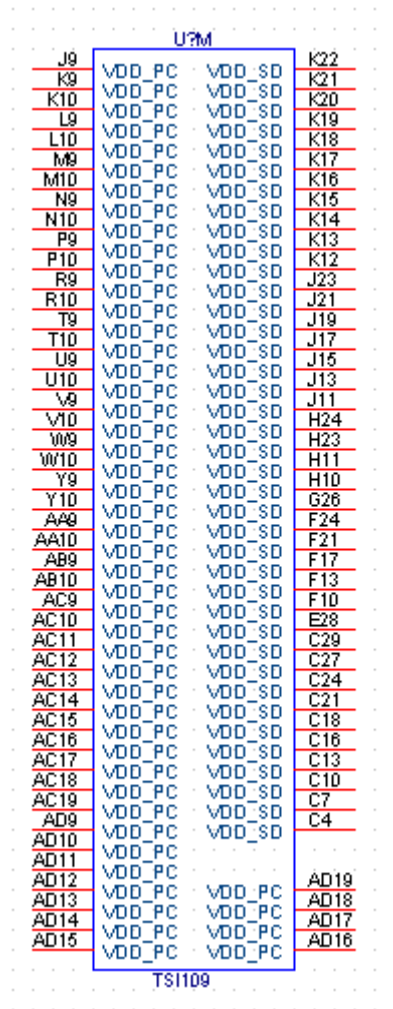


12.

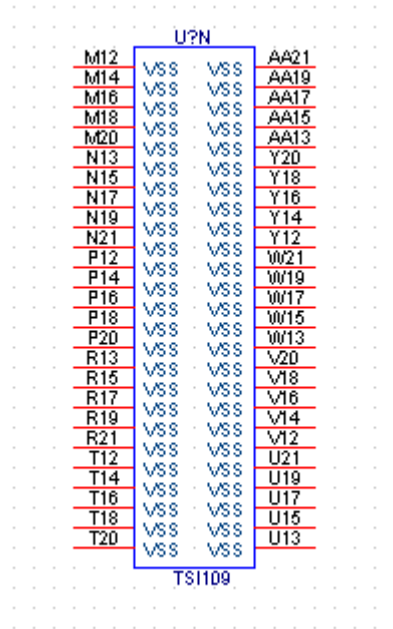
U?L			
M13	VDD	VDD_PB	AM26
M15	VDD	VDD_PB	AK30
M17	VDD	VDD_PB	AK27
M19	VDD	VDD_PB	AK23
M21	VDD	VDD_PB	AG30
N12	VDD	VDD_PB	AG27
N14	VDD	VDD_PB	AG23
N16	VDD	VDD_PB	AE24
N18	VDD	VDD_PB	AD30
N20	VDD	VDD_PB	AD27
P13	VDD	VDD_PB	AD23
P15	VDD	VDD_PB	AD22
P17	VDD	VDD_PB	AD21
P19	VDD	VDD_PB	AC24
P21	VDD	VDD_PB	AC23
R12	VDD	VDD_PB	AC21
R14	VDD	VDD_PB	AB23
R16	VDD	VDD_PB	AA30
R18	VDD	VDD_PB	AA27
R20	VDD	VDD_PB	AA24
T13	VDD	VDD_PB	AA23
T15	VDD	VDD_PB	Y23
T17	VDD	VDD_PB	W24
T19	VDD	VDD_PB	W23
T21	VDD	VDD_PB	V23
U12	VDD	VDD_PB	U30
U14	VDD	VDD_PB	U27
U16	VDD	VDD_PB	U24
U18	VDD	VDD_PB	U23
U20	VDD	VDD_PB	T23
V13	VDD	VDD_PB	R24
V15	VDD	VDD_PB	R23
V17	VDD	VDD_PB	P30
V19	VDD	VDD_PB	P27
V21	VDD	VDD_PB	P23
W12	VDD	VDD_PB	N24
W14	VDD	VDD_PB	N23
W16	VDD	VDD_PB	M23
W18	VDD	VDD_PB	L30
W20	VDD	VDD_PB	L27
Y13	VDD	VDD_PB	L24
Y15	VDD	VDD_PB	L23
Y17	VDD	VDD_PB	K24
Y19	VDD	VDD_PB	H30
Y21	VDD	VDD_PB	H27
AA12	VDD		
AA14	VDD	VDD	AA20
AA16	VDD	VDD	AA18

TS1109

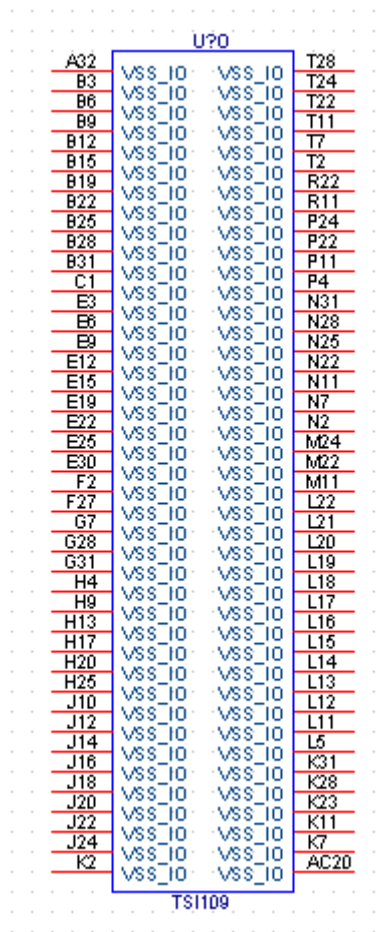
13.



14.



15.



16.

U?P		
T31	VSS_IO	AM32
U5	VSS_IO	AM1
U11	VSS_IO	AL31
U22	VSS_IO	AL28
U25	VSS_IO	AL25
V11	VSS_IO	AL22
V22	VSS_IO	AL19
V24	VSS_IO	AL16
W2	VSS_IO	AL13
W7	VSS_IO	AL10
W11	VSS_IO	AL7
W22	VSS_IO	AL4
W28	VSS_IO	AJ26
W31	VSS_IO	AJ24
Y4	VSS_IO	AJ17
Y11	VSS_IO	AJ11
Y22	VSS_IO	AJ5
Y24	VSS_IO	AJ2
AA11	VSS_IO	AH31
AA22	VSS_IO	AH28
AA25	VSS_IO	AH20
AB2	VSS_IO	AH14
AB7	VSS_IO	AH8
AB11	VSS_IO	AF25
AB12	VSS_IO	AF22
AB13	VSS_IO	AF19
AB14	VSS_IO	AF16
AB15	VSS_IO	AF13
AB16	VSS_IO	AF10
AB17	VSS_IO	AF7
AB18	VSS_IO	AF4
AB19	VSS_IO	AF2
AB20	VSS_IO	AE31
AB21	VSS_IO	AE28
AB22	VSS_IO	AD24
AB24	VSS_IO	AD20
AB28	VSS_IO	AD8
AB31	VSS_IO	AD3
AC5	VSS_IO	AC22

TSI109

17. Revision History

	Revision	Date	By	Comments
1	1.01	Jan 27, 2007	MD	Initial Release