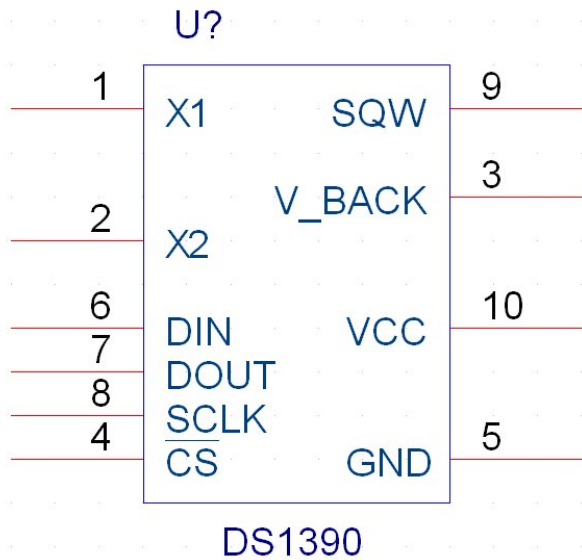


Maxim Integrated Products/ Dallas Semiconductor Orcad Library

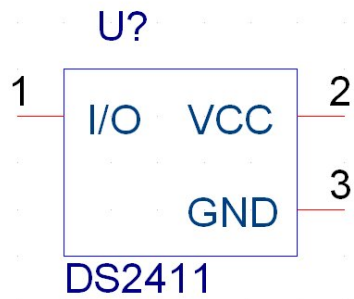
The custom Orcad Symbol contains the following parts available from Maxim Integrated Products (www.maxim-ic.com):

- 1. DS1390**
- 2. DS2411**
- 3. DS2704**
- 4. MAX11500**
- 5. MAX1497**
- 6. MAX1605**
- 7. MAX3208E**
- 8. MAX3227EAE**
- 9. MAX3394EETA**
- 10. MAX3421EEHJ**
- 11. MAX4314ESD**
- 12. MAX4372**
- 13. MAX5251**
- 14. MAX6820**
- 15. MAX8668**
- 16. MAX8671X**
- 17. MAX8726**
- 18. MAX8865**
- 19. MAX8595**
- 20. MAX9550**
- 21. MAX9551**
- 22. MXB7846EUE**

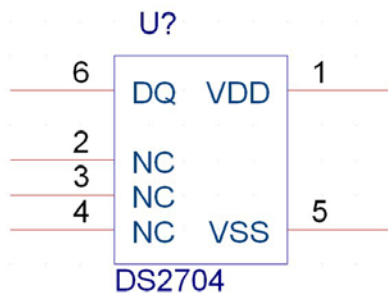
1. DS1390



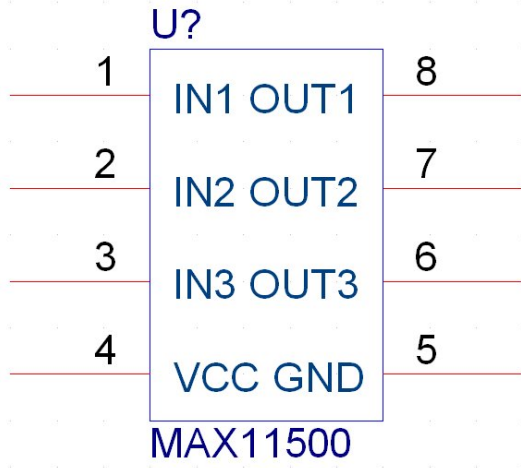
2. DS2411



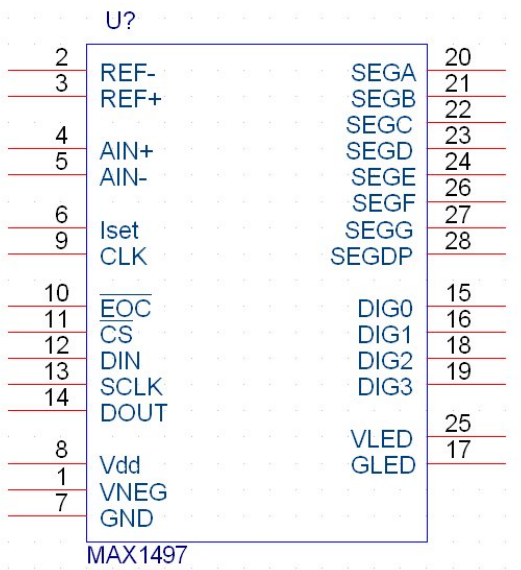
3. DS2704



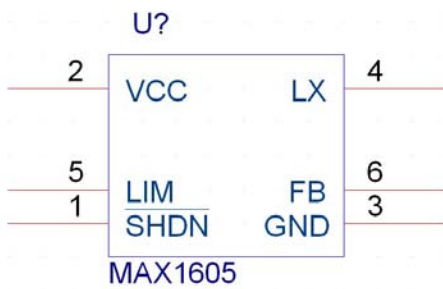
4. MAX11500



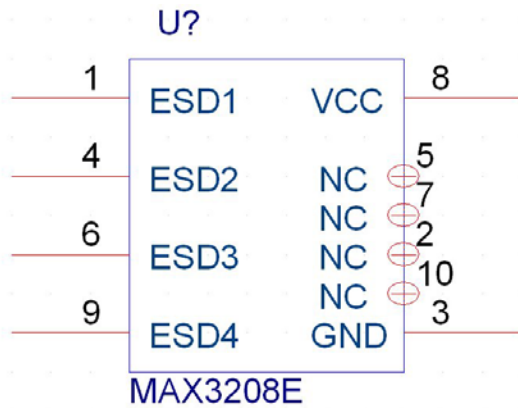
5. MAX1497



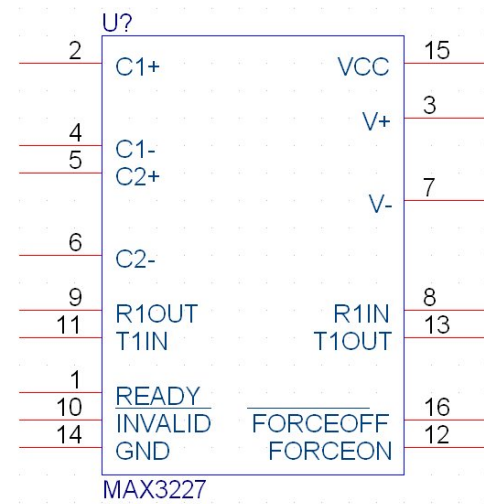
6. MAX1605



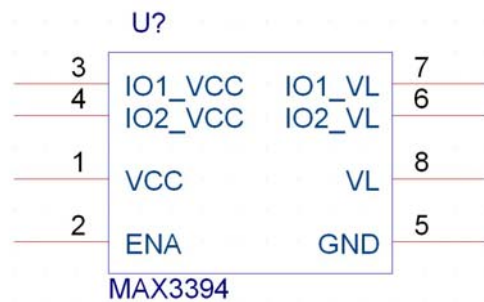
7. MAX3208E



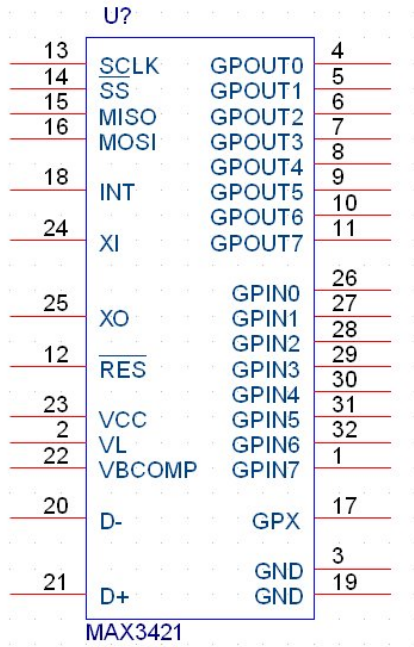
8. MAX3227EAE



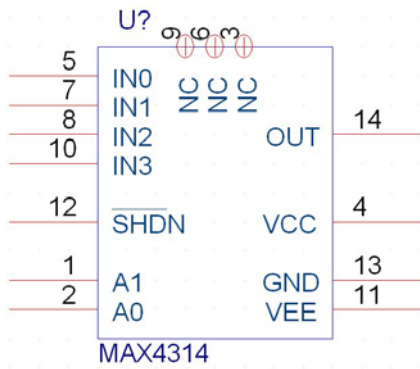
9. MAX3394EETA



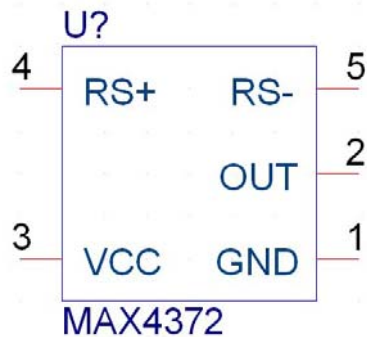
10. MAX3421EEHJ



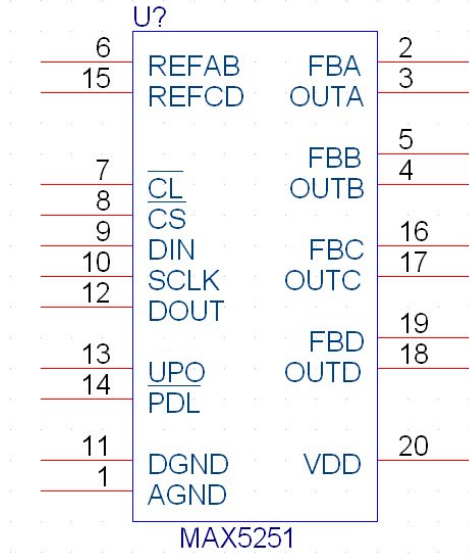
11. MAX4314ESD



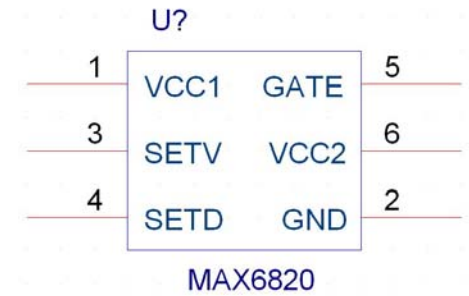
12. MAX4372



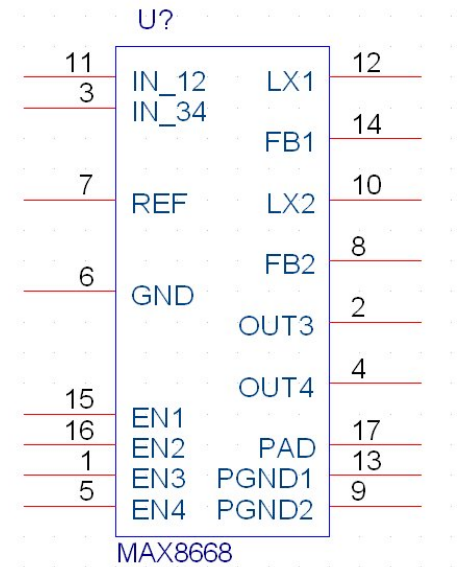
13. MAX5251



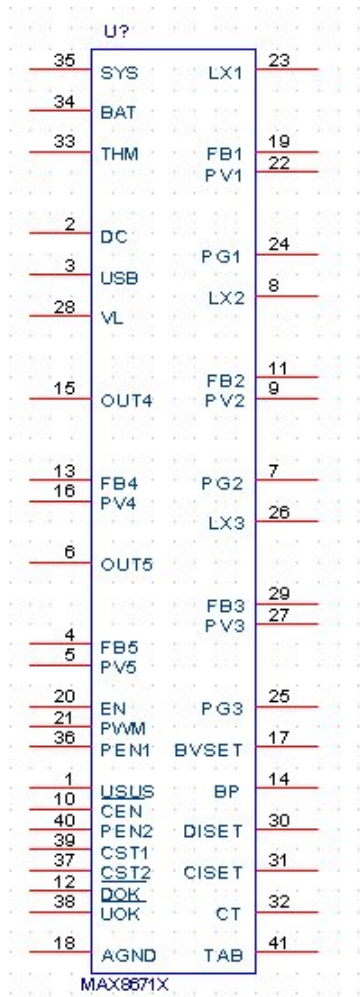
14. MAX6820



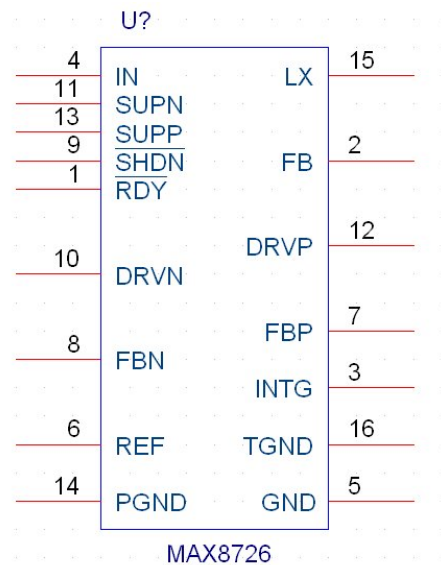
15. MAX8668



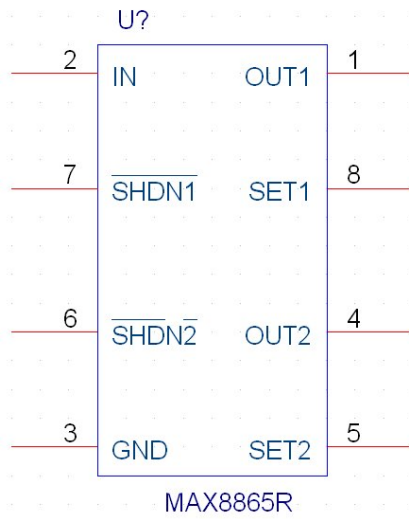
16. MAX8671X



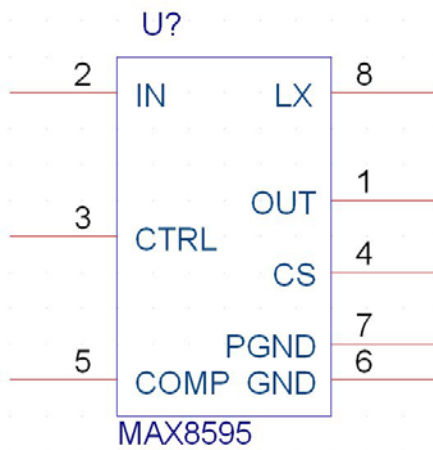
17. MAX8726



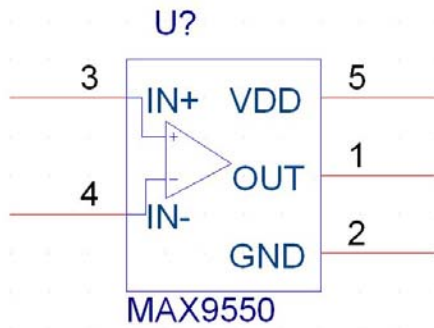
18. MAX8865



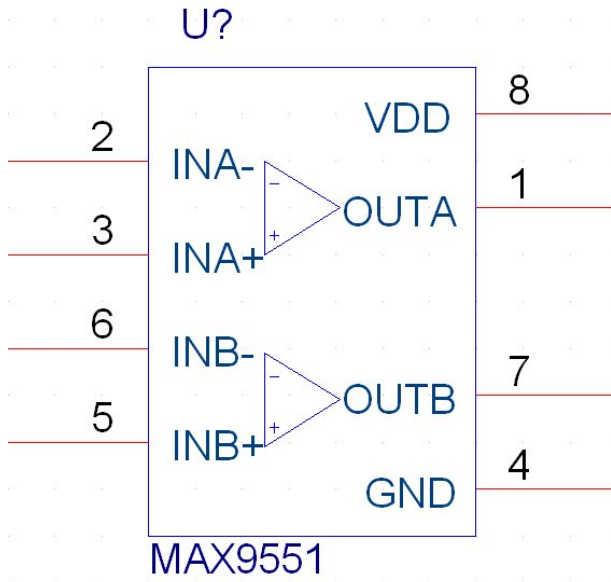
19. MAX8595



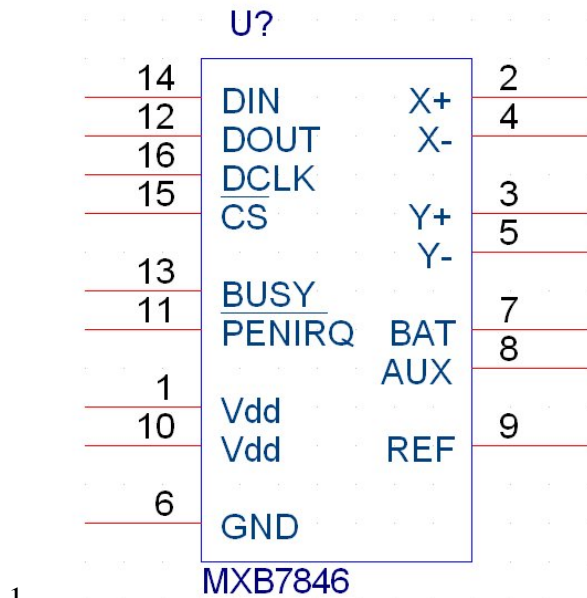
20. MAX9550



21. MAX9551



22. MXB7846EUE



Document Revision History

	Revision	Date	By	Comments
1	1.00	June 20, 09	LD	Initial Release (22 symbols)