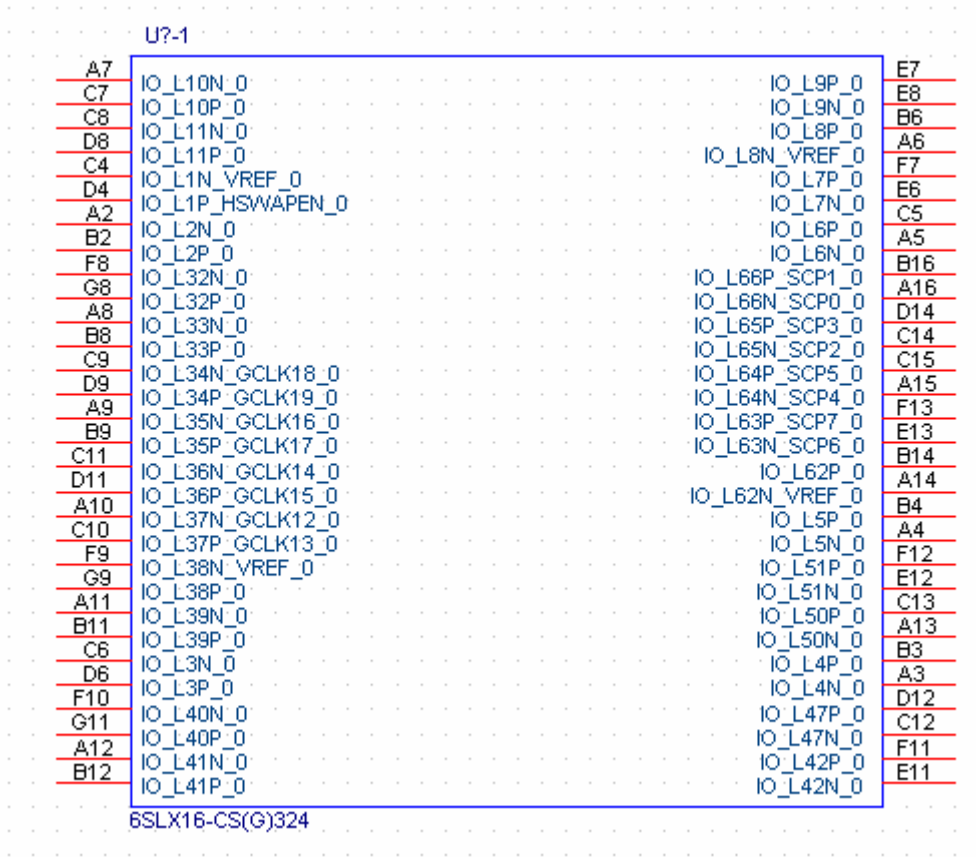


## Schematic Symbol for 6SLX16-CS(G)324

The Schematic symbol consists of 6 heterogeneous parts that are listed below:

### 1. I/O Bank 0

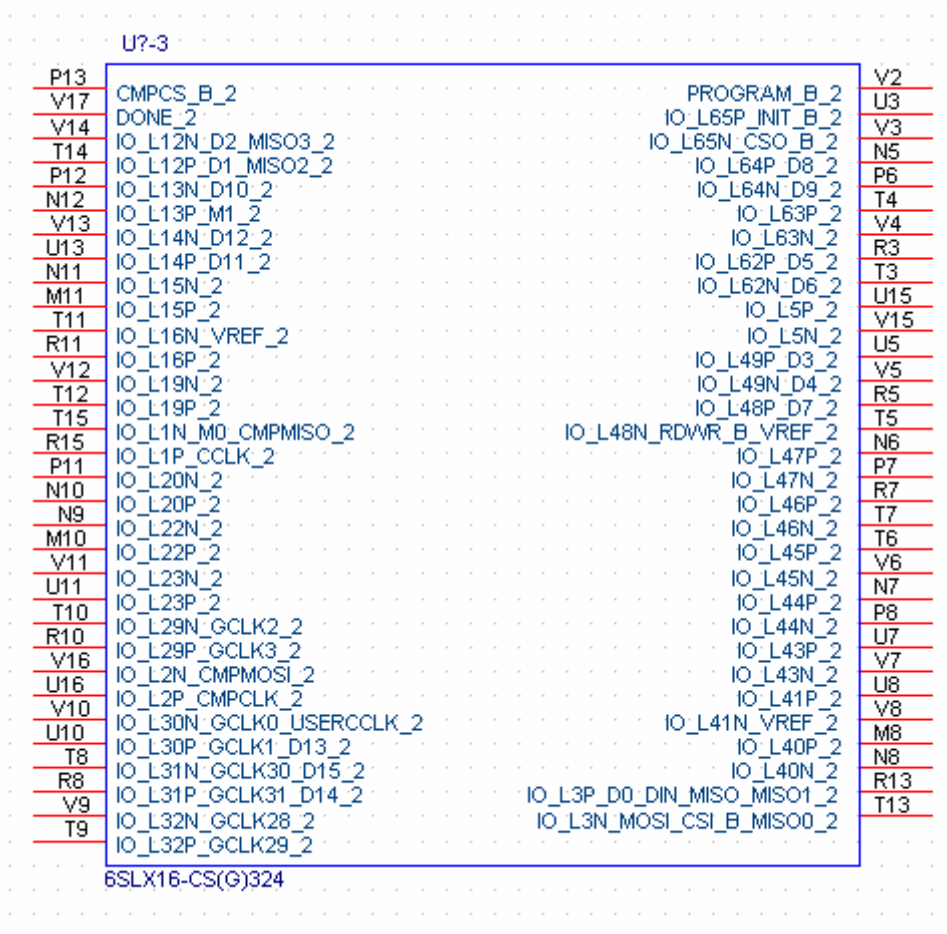


## 2. I/O Bank 1

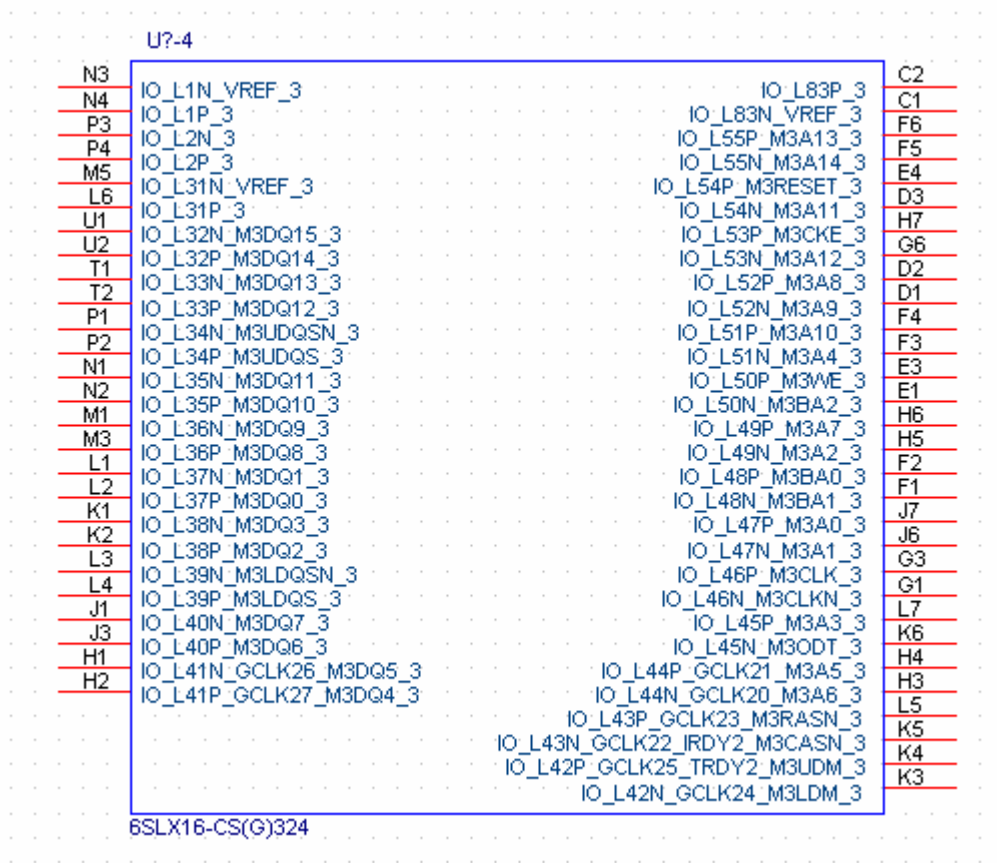
U?-2			
F16	IO_L1N_A24_VREF_1	IO_L74P_AWAKE_1	P15
F15	IO_L1P_A25_1	IO_L74N_DOUT_BUSY_1	P16
C18	IO_L29N_A22_M1A14_1	IO_L61P_1	L14
C17	IO_L29P_A23_M1A13_1	IO_L61N_1	M13
G14	IO_L30N_A20_M1A11_1	IO_L53P_1	M14
F14	IO_L30P_A21_M1RESET_1	IO_L53N_VREF_1	N14
D18	IO_L31N_A18_M1A12_1	IO_L52P_M1DQ14_1	U17
D17	IO_L31P_A19_M1CKE_1	IO_L52N_M1DQ15_1	U18
G13	IO_L32N_A16_M1A9_1	IO_L51P_M1DQ12_1	T17
H12	IO_L32P_A17_M1A8_1	IO_L51N_M1DQ13_1	T18
E18	IO_L33N_A14_M1A4_1	IO_L50P_M1UDQS_1	N15
E16	IO_L33P_A15_M1A10_1	IO_L50N_M1UDQSN_1	N16
K13	IO_L34N_A12_M1BA2_1	IO_L49P_M1DQ10_1	P17
K12	IO_L34P_A13_M1WE_1	IO_L49N_M1DQ11_1	P18
F18	IO_L35N_A10_M1A2_1	IO_L48P_HDC_M1DQ8_1	N17
F17	IO_L35P_A11_M1A7_1	IO_L48N_M1DQ9_1	N18
H14	IO_L36N_A8_M1BA1_1	IO_L47P_FWE_B_M1DQ0_1	M16
H13	IO_L36P_A9_M1BA0_1	IO_L47N_LDC_M1DQ1_1	M18
H16	IO_L37N_A6_M1A1_1	IO_L46P_FCS_B_M1DQ2_1	L17
H15	IO_L37P_A7_M1A0_1	IO_L46N_FOE_B_M1DQ3_1	L18
G18	IO_L38N_A4_M1CLKN_1	IO_L45P_A1_M1LDQS_1	K17
G16	IO_L38P_A5_M1CLK_1	IO_L45N_A0_M1LDQSN_1	K18
K14	IO_L39N_M1ODT_1	IO_L44P_A3_M1DQ6_1	J16
J13	IO_L39P_M1A3_1	IO_L44N_A2_M1DQ7_1	J18
L13	IO_L40N_GCLK10_M1A6_1	IO_L43P_GCLK5_M1DQ4_1	H17
L12	IO_L40P_GCLK11_M1A5_1	IO_L43N_GCLK4_M1DQ5_1	H18
K16	IO_L41N_GCLK8_M1CASN_1	IO_L42P_GCLK7_M1UDM_1	L15
		IO_L42N_GCLK6_TRDY1_M1LDM_1	L16
		IO_L41P_GCLK9_JRDY1_M1RASN_1	K15

6SLX16-CS(G)324

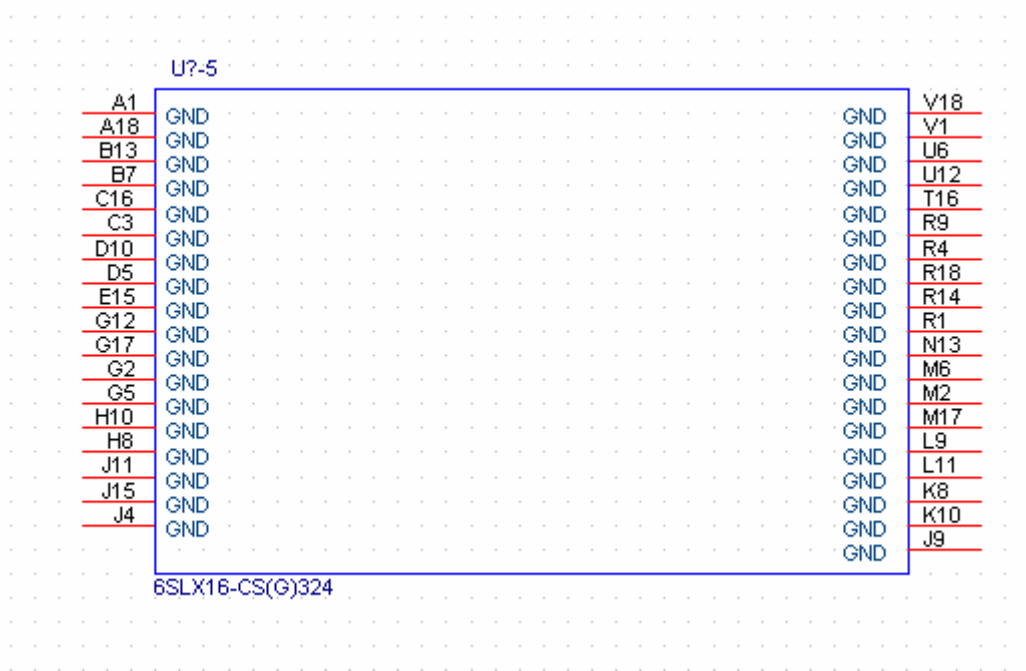
### 3. I/O Bank 2



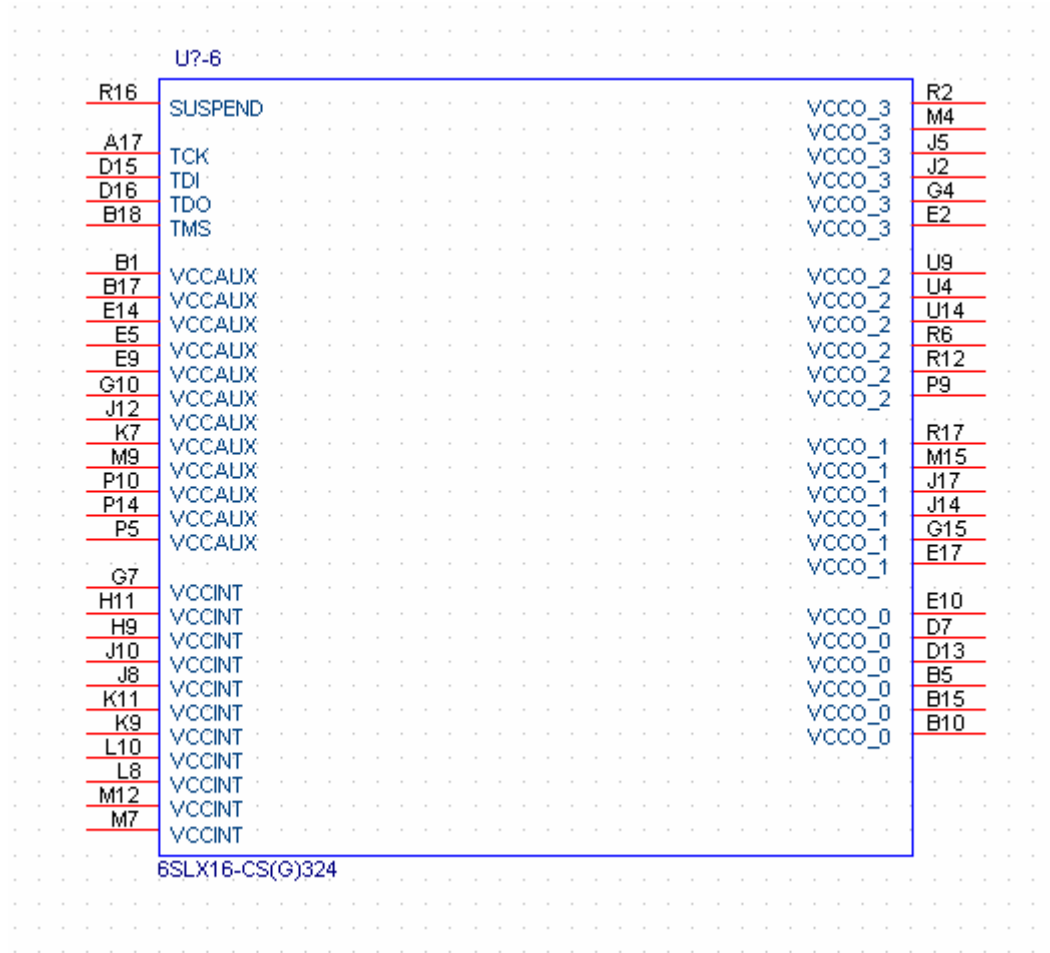
#### 4. I/O Bank 3



## 5. GND



## 6. Power and Programming Interface



## 7. Revision History

	Revision	Date	By	Comments
1	1	July 20, 2009	AC	Initial Release